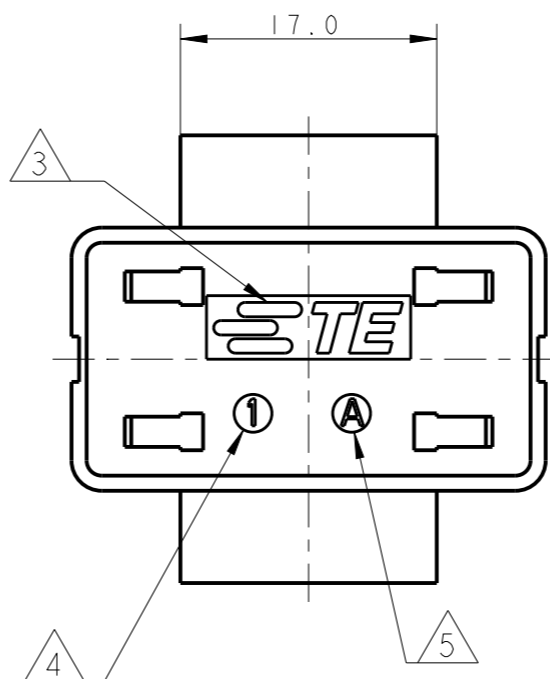
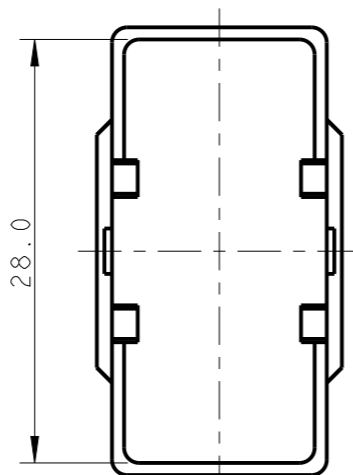
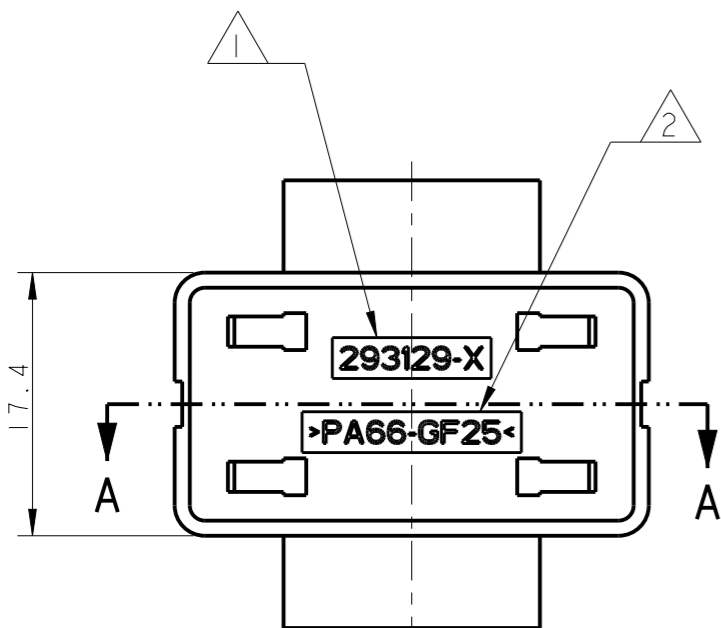


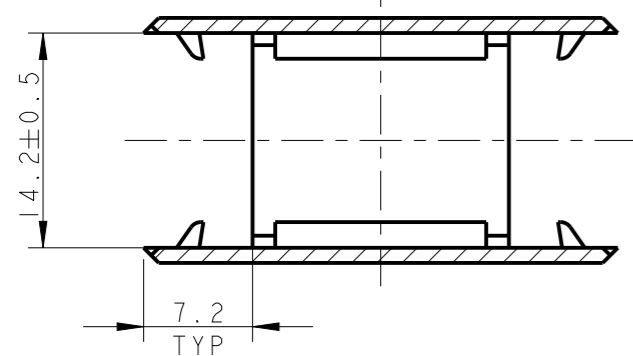
THIS DRAWING IS UNPUBLISHED. RELEASED FOR PUBLICATION 2013  
© COPYRIGHT 2013 BY - ALL RIGHTS RESERVED.

LOC	DIST	REVISIONS			
P	LTR	DESCRIPTION	DATE	DWN	APVD
0		FIRST ISSUE	11APR2006	UA	GT
B		ECR-10-021916	25OCT2010	UA	GT
C		ECR-13-012759	12AUG2013	DJS	JC
D		ECR-14-005955	23APR2014	GS	JC

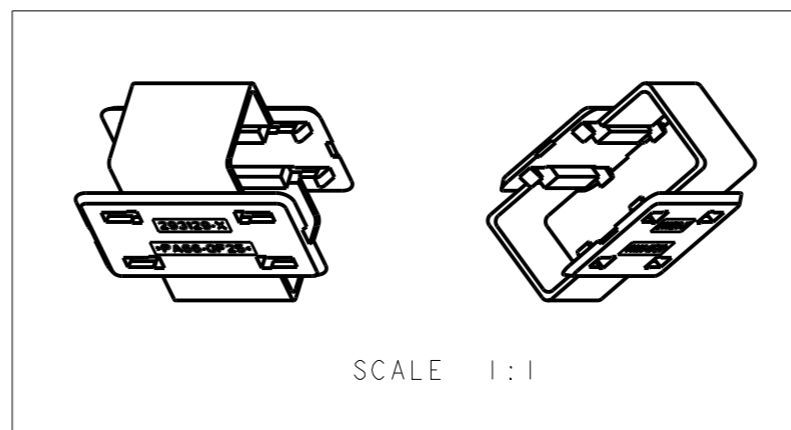


NOTES:

- 1) TE P/N
- 2) RAW MAT'L CODE
- 3) TE TRADEMARK
- 4) MOULD CAVITY IDENTIFICATION
- 5) PART REVISION
- 6) TO BE USED FOR INSTALLATIONS ACCORDING TO VDE 0606-200
- 7) USED ON TE NECTOR\* CONNECTORS FREE-HANGING VERSION
  - 293129-1 AND 293129-2 (SEE SHEET 1) TO BE USED WITH 293054-1 AND 293054-2
  - 293129-3 (SEE SHEET 2) TO BE USED WITH 1230085-3 AND 1230085-4
- 8) PACKAGED ACCORDING TO TE SPEC. 107-20252
- 9) P/N 293129-1 AND P/N 293129-2 SHOWN ON SHEET 1  
P/N 293129-3 SHOWN ON SHEET 2



SECTION A - A



293129-3	BLACK	D
293129-2	WHITE	D
293129-1	BLACK	D
TE P/N	COLOUR	PART REV.

THIS DRAWING IS A CONTROLLED DOCUMENT.		DWN U. AIME 11APR2006	TE Connectivity	
DIMENSIONS: mm		CHK U. AIME 11APR2006		
TOLERANCES UNLESS OTHERWISE SPECIFIED:		APVD G. TURCO 11APR2006	NAME LOCKING FOR TE NECTOR*	
0 PLC ±- 1 PLC ±0.3 2 PLC ±- 3 PLC ±- 4 PLC ±- ANGLES ±-		PRODUCT SPEC -	-	
MATERIAL PA66-GF25 UL94-V0		FINISH -	APPLICATION SPEC -	RESTRICTED TO -
		WEIGHT -	SIZE A300779	CAGE CODE C-293129
		Customer Drawing	SCALE 2:1	SHEET 1 OF 2
				REV D

THIS DRAWING IS UNPUBLISHED.

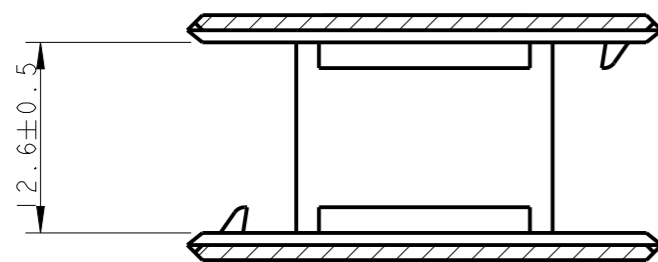
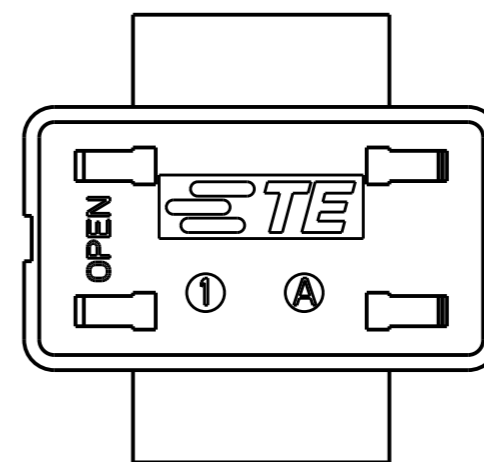
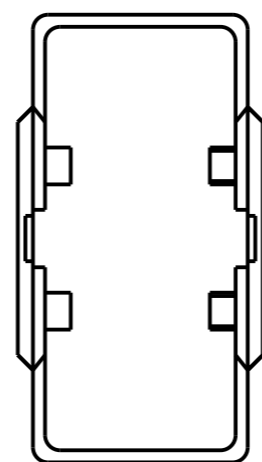
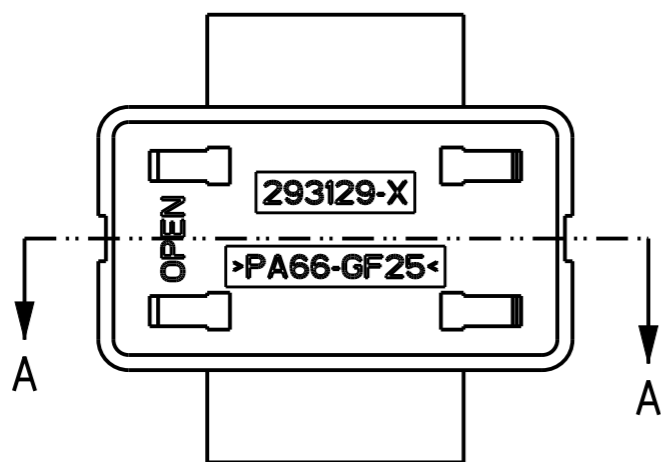
RELEASED FOR PUBLICATION

2013

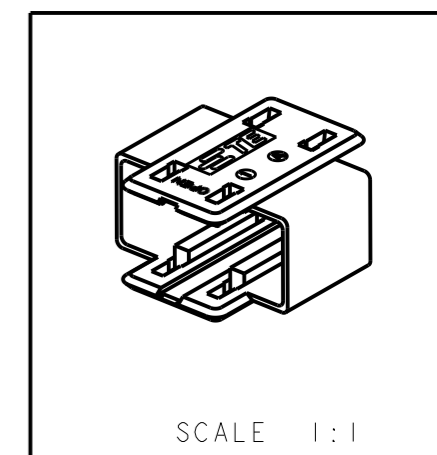
© COPYRIGHT 2013 BY -

ALL RIGHTS RESERVED.


LOC	DIST	REVISIONS					
		P	LTR	DESCRIPTION	DATE	DWN	APVD
	-	-	-	SEE SHEET 1	-	-	-



SECTION A - A



ALL UNMARKED DIMENSIONS AS PER SHEET 1

THIS DRAWING IS A CONTROLLED DOCUMENT.		DWN U. AIME 11APR2006	 TE Connectivity	
DIMENSIONS: mm		CHK U. AIME 11APR2006		
TOLERANCES UNLESS OTHERWISE SPECIFIED:		APVD G. TURCO 11APR2006	NAME LOCKING FOR TE NECTOR*	
0 PLC ±- 1 PLC ±0.3 2 PLC ±- 3 PLC ±- 4 PLC ±- ANGLES ±-		PRODUCT SPEC -	RESTRICTED TO -	
MATERIAL PA66-GF25		FINISH -	APPLICATION SPEC -	SIZE A300779
		WEIGHT -	DRAWING NO C-293129	SCALE 2:1
		Customer Drawing	SHEET 2	OF 2
			REV D	