

PART NAME: KNOB

SCALE: 1:1

DATE: 5/16/86

DR. BY HD



DESIGNERS & MANUFACTURERS OF KNOBS, HANDLES, CASES & CUSTOM PLASTIC COMPONENTS

P/N 2350AE

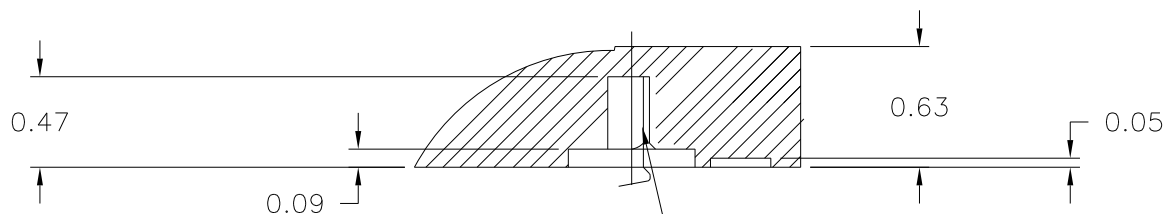
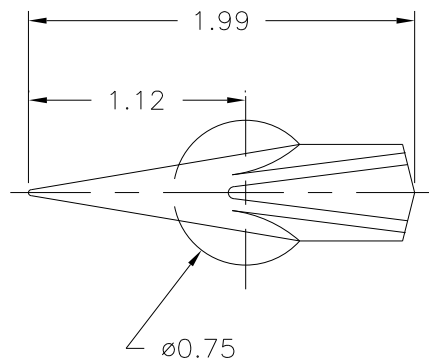
THIS DRAWING IS THE PROPERTY OF DAVIES MOLDING COMPANY, IS SUBMITTED SOLELY AS A DESIGN OR ENGINEERING PROJECT. WE ACCEPT NO RESPONSIBILITY WHATSOEVER FOR THE PRACTICAL APPLICATION OF THE PIECES MADE TO THIS DESIGN.

BASE PART 2350-03

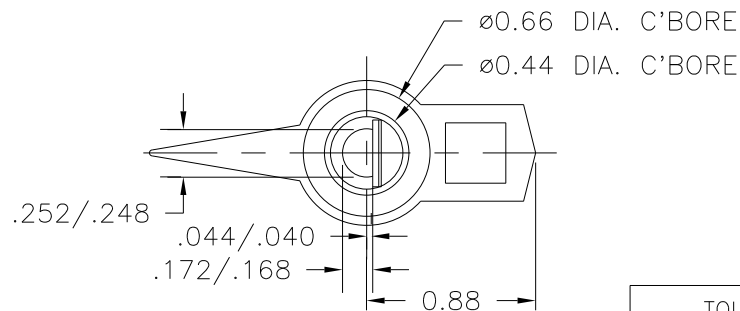
S.O.# 15542

CAD/REDRAWN : 7/25/94 : HD (A)

SPRING 11385



"D" SPRING I-1385 TO FIT (LECTRA PRODUCTS SPRING P/N # 5800)  
STD. 1/4 DIA. SHAFT FLATTED TO 5/32



MATERIAL: #4311 PLENCO PHENOLIC  
COLOR: BLACK

TOLERANCES: UNLESS OTHERWISE SPECIFIED	DO NOT SCALE DRAWING			
DECIMALS: X.XXX ± .005 X.XX ± .015	MM: X.XX ± 0.15MM X.X ± 0.4MM	A	ADDED BASE PART	JAM 4/2/14
FRACTIONS ± 1/64	ANG. ± 1°	CHANGES		