

DESIGN UNITS: METRIC (mm)
UNLESS OTHERWISE SPECIFIED
[INCHES]



Class J Fuseblocks(600V) Catalog Data

| Catalog Number | Covers | | Voltage | Current | Number of Poles | Label |
|----------------|-------------|----------------|---------|---------|-----------------|-------------|
| | Class J | w/o Indication | | | | |
| JM60100-1CR | CVR-J-60100 | CVRI-J-60100 | 600 | 100 | 1 | JM60100-1CR |
| JM60100-2CR | | | | | 2 | JM60100-2CR |
| JM60100-3CR | | | | | 3 | JM60100-3CR |
| JM60200-1CR | CVR-J-60200 | CVRI-J-60200 | | 200 | 1 | JM60200-1CR |
| JM60200-2CR | | | | | 2 | JM60200-2CR |
| JM60200-3CR | | | | | 3 | JM60200-3CR |
| JM60400-1CR | CVR-J-60400 | CVRI-J-60400 | | 400 | 1 | JM60400-1CR |
| JM60400-2CR | | | | | 2 | JM60400-2CR |
| JM60400-3CR | | | | | 3 | JM60400-3CR |
| JM60600-1CR | CVR-J-60600 | CVRI-J-60600 | | 600 | 1 | JM60600-1CR |
| JM60600-2CR | | | | | 2 | JM60600-2CR |
| JM60600-3CR | | | | | 3 | JM60600-3CR |

COOPER Bussmann
St. Louis MO 63178

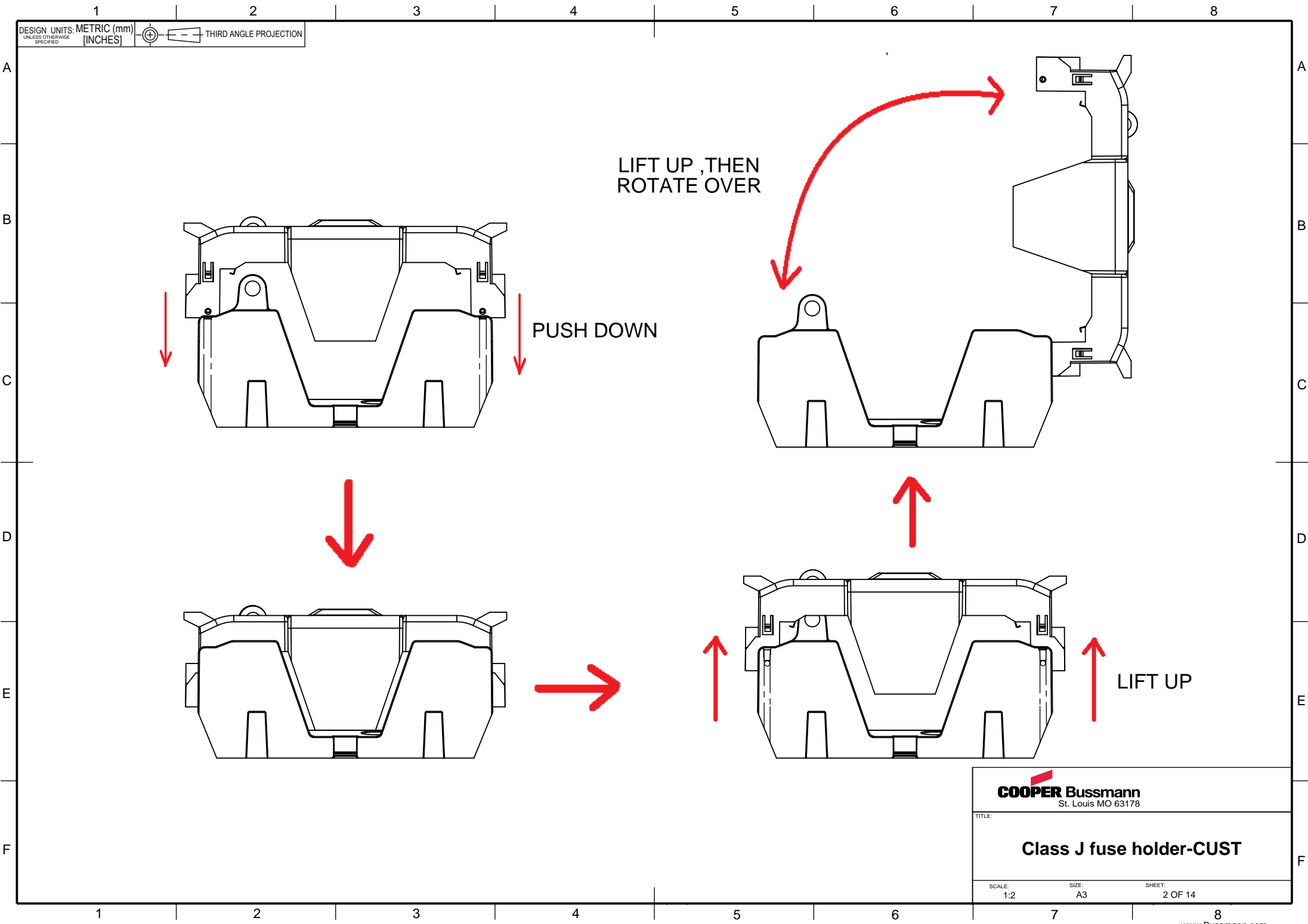
TITLE:

Class J fuse holder-CUST

SCALE:
1:5

SIZE:
A3

SHEET:
1 OF 14

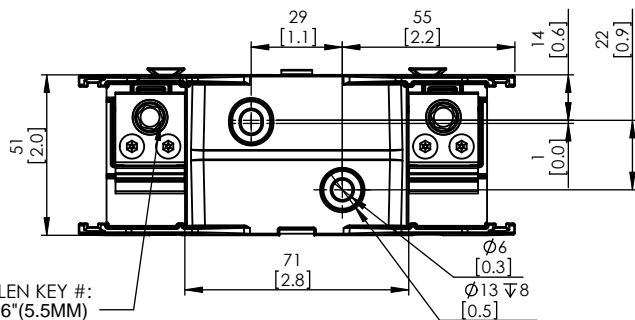


COOPER Bussmann
St. Louis MO 63178

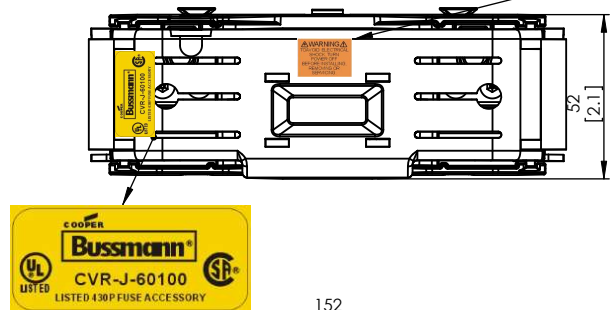
TITLE:
Class J fuse holder-CUST

SCALE: 1:2 SIZE: A3 SHEET: 2 OF 14

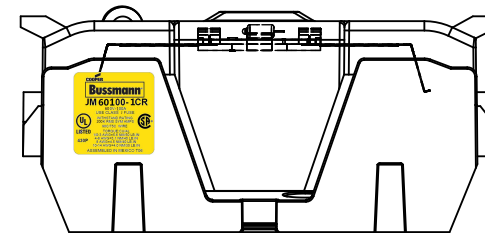
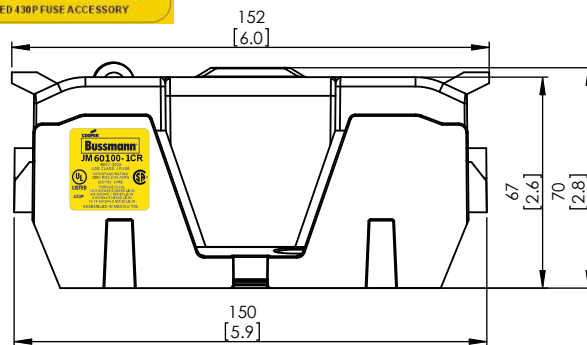
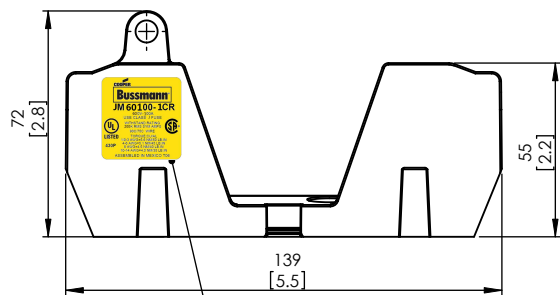
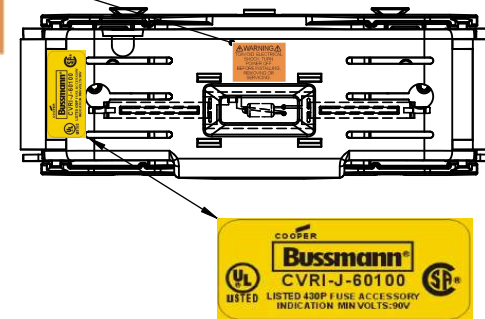
JM60100-1CR



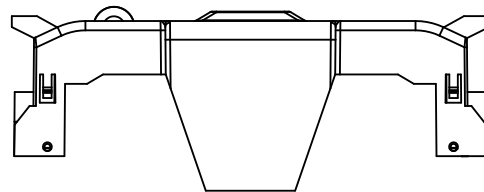
JM60100-1CR WITH CVR-J-60100 INSTALLED



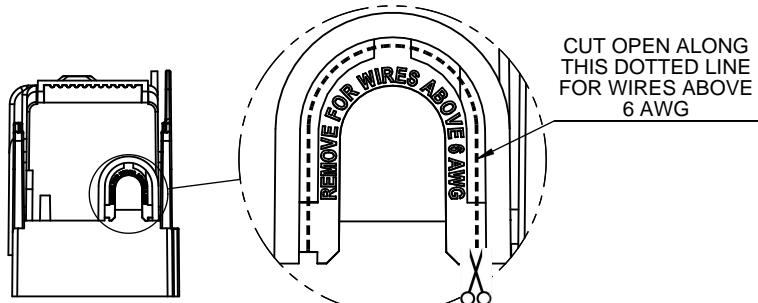
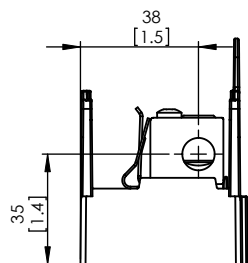
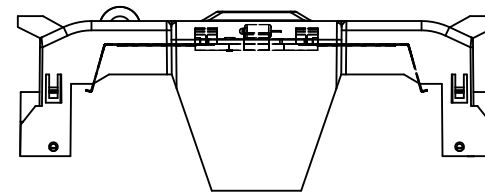
JM60100-1CR WITH CVRI-J-60100 INSTALLED



CVR-J-60100



CVRI-J-60100



COOPER Bussmann
St. Louis MO 63178

Class J fuse holder-CUST

SCALE: 1:1 SIZE: A3 SHEET: 3 OF 14

DESIGN UNITS: METRIC (mm)
UNLESS OTHERWISE SPECIFIED
[INCHES]

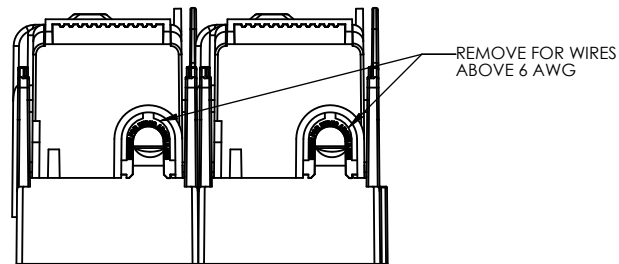
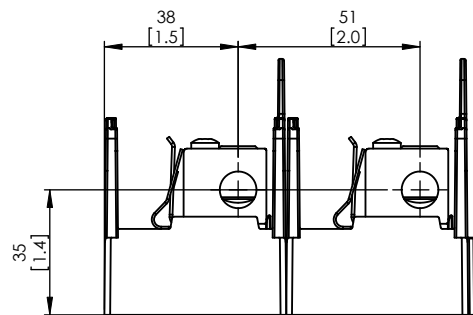
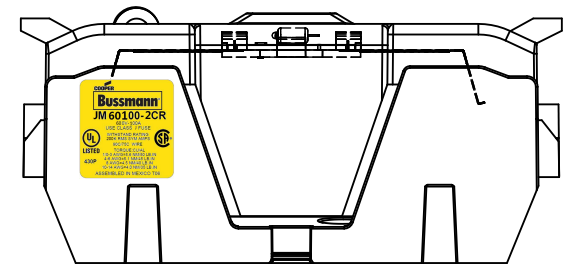
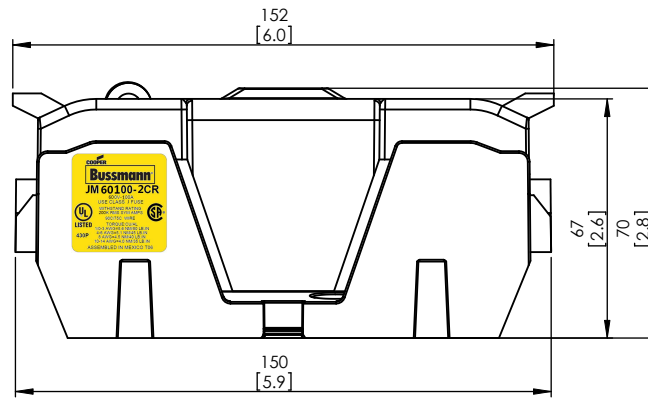
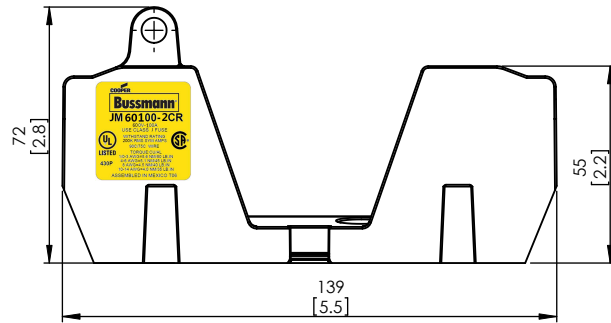
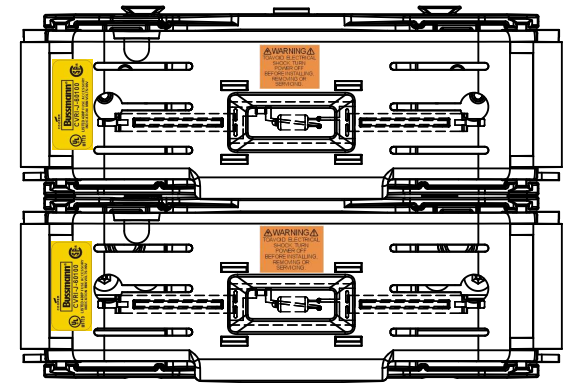
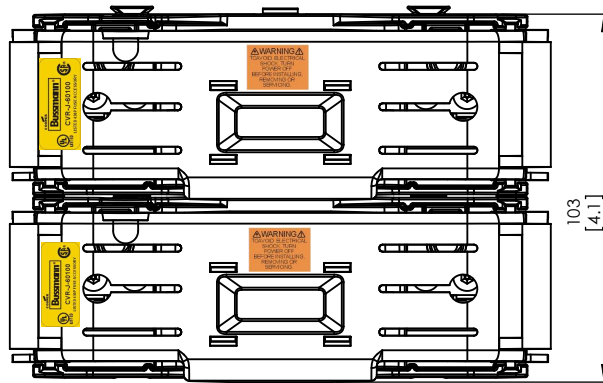
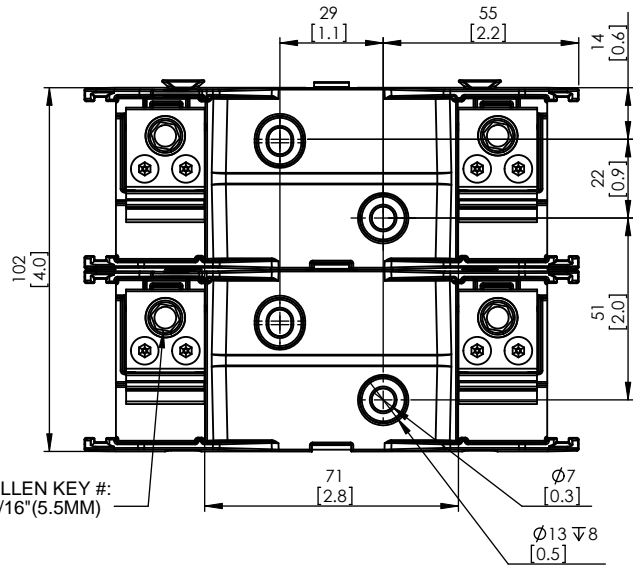


THIRD ANGLE PROJECTION

JM60100-2CR

**JM60100-2CR
WITH CVR-J-60100 INSTALLED**

**JM60100-2CR
WITH CVRI-J-60100 INSTALLED**



COOPER Bussmann
St. Louis MO 63178

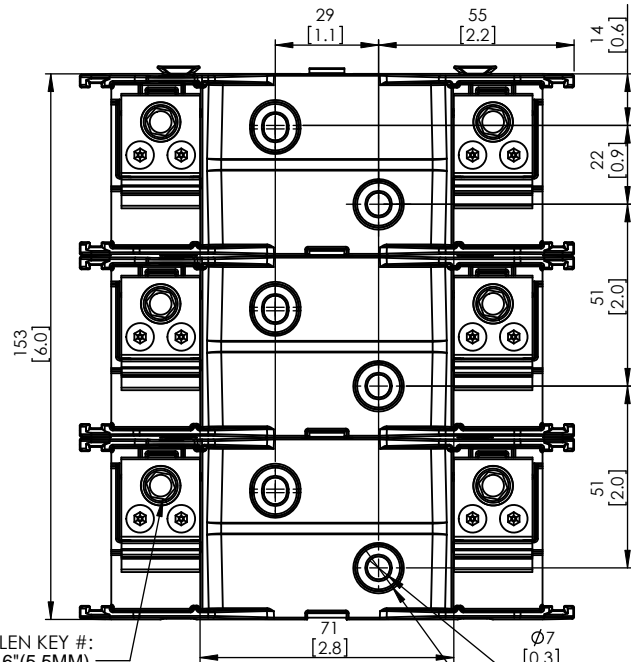
Class J fuse holder-CUST

SCALE: 1:1 SIZE: A3 SHEET: 4 OF 14

DESIGN UNITS: METRIC (mm)
UNLESS OTHERWISE SPECIFIED [INCHES]

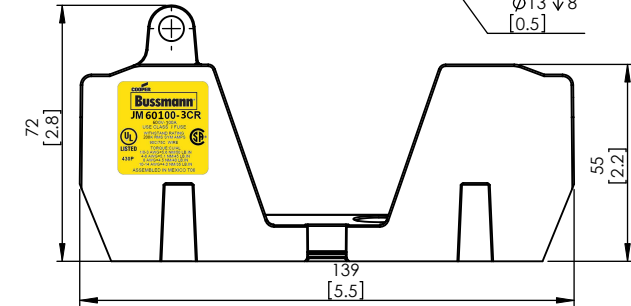


JM60100-3CR

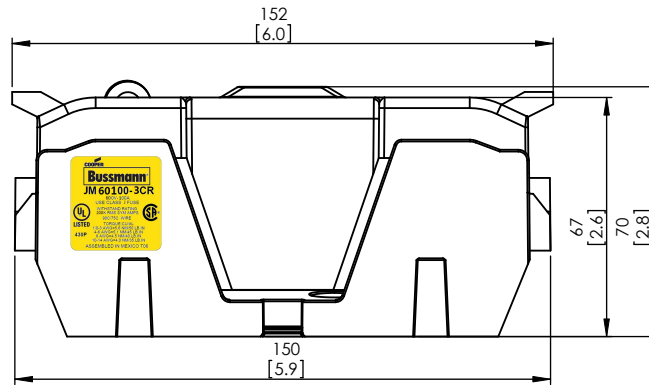
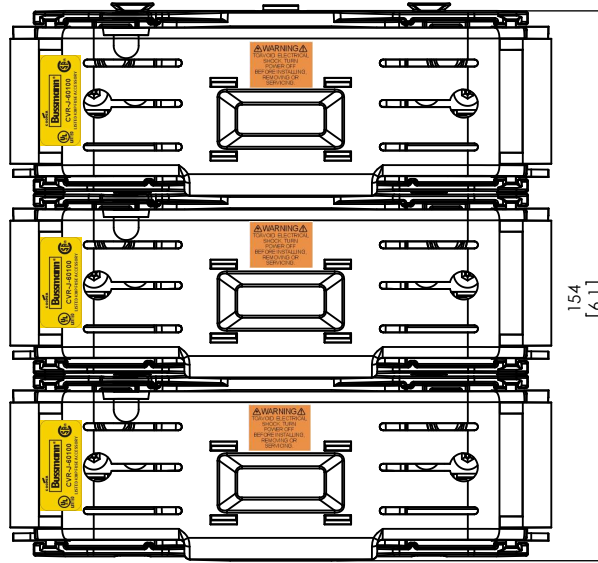


ALLEN KEY #:
3/16" (5.5MM)

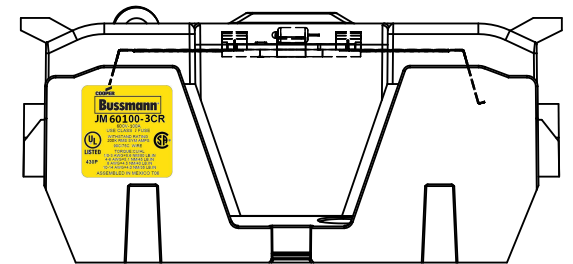
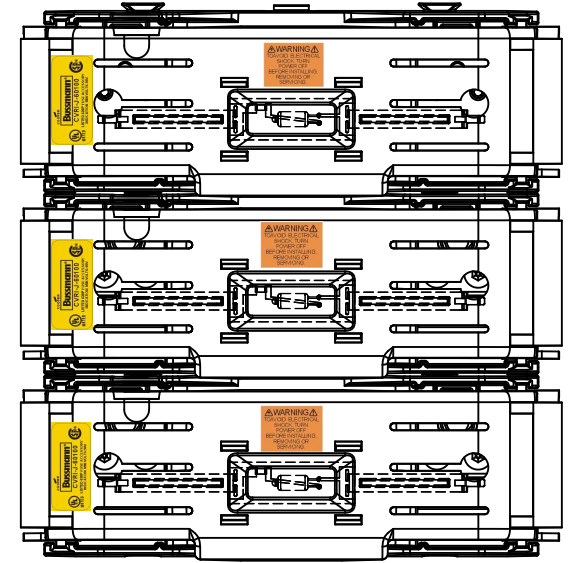
Ø7 [0.3]
Ø13 ∇ 8 [0.5]



**JM60100-3CR
WITH CVR-J-60100 INSTALLED**



**JM60100-3CR
WITH CVRI-J-60100 INSTALLED**



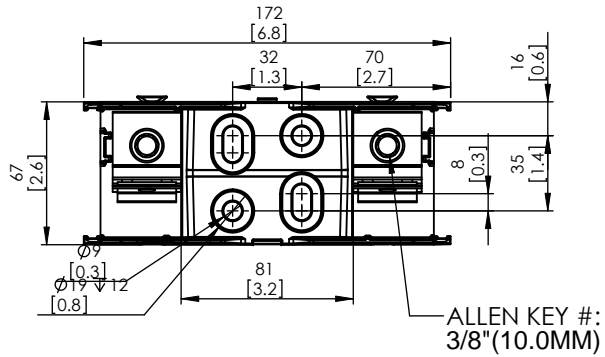
REMOVE FOR WIRES
ABOVE 6 AWG

COOPER Bussmann
St. Louis MO 63178

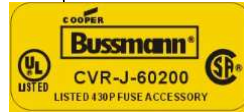
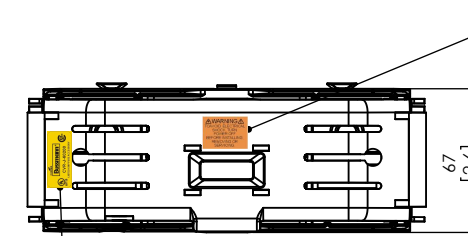
Class J fuse holder-CUST

SCALE: 1:1 SIZE: A3 SHEET: 5 OF 14

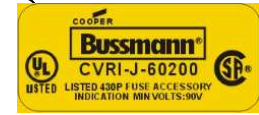
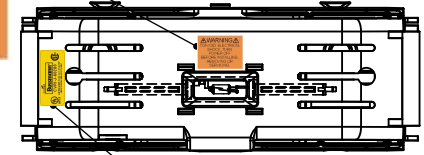
JM60200-1CR



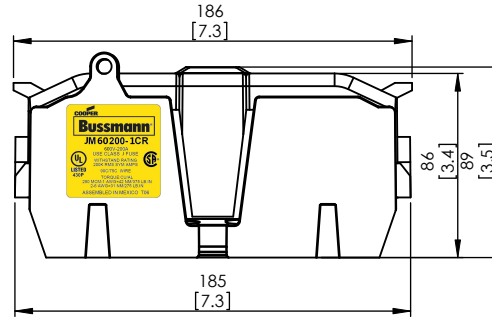
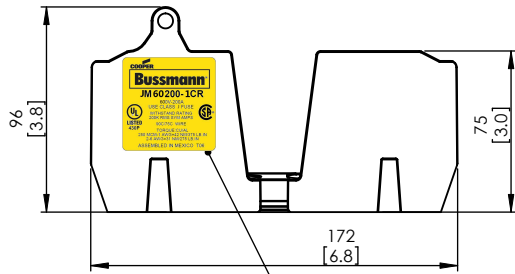
JM60200-1CR WITH CVR-J-60200 INSTALLED



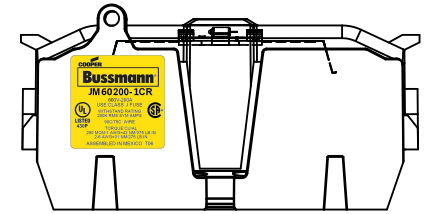
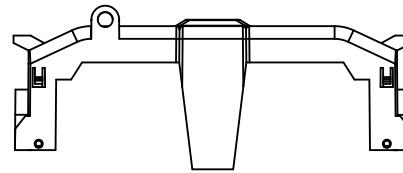
JM60200-1CR WITH CVRI-J-60200 INSTALLED



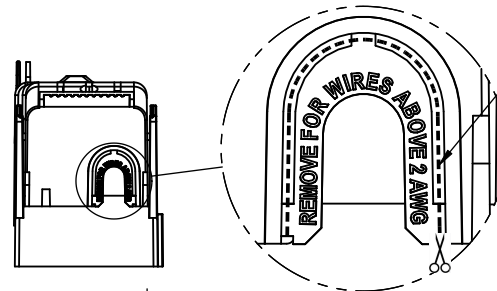
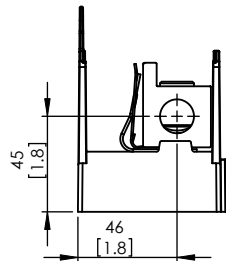
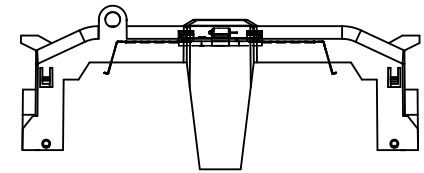
WARNING
TO AVOID ELECTRICAL SHOCK, TURN POWER OFF BEFORE INSTALLING, REMOVING OR SERVICING.



CVR-J-60200



CVRI-J-60200



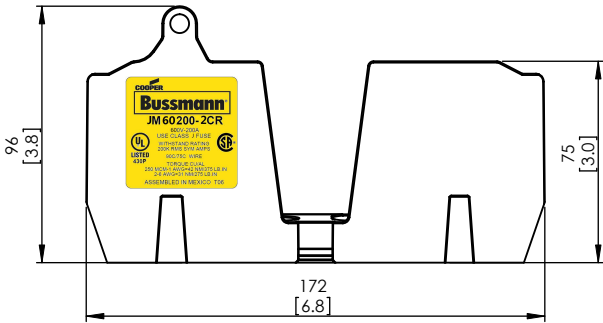
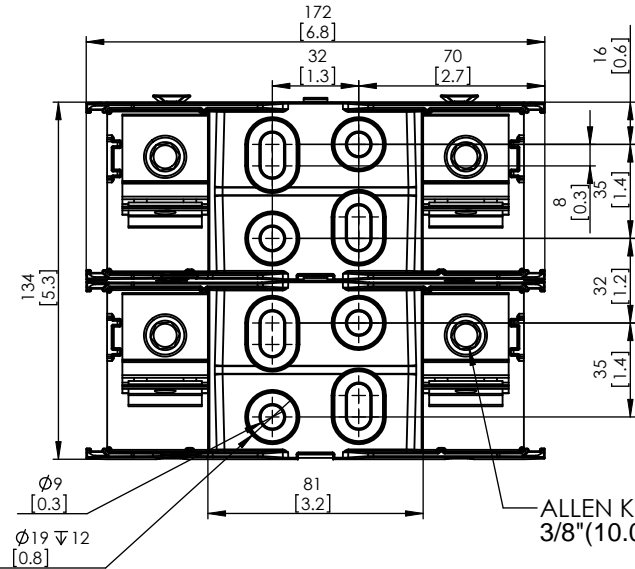
COOPER Bussmann
St. Louis MO 63178

Class J fuse holder-CUST

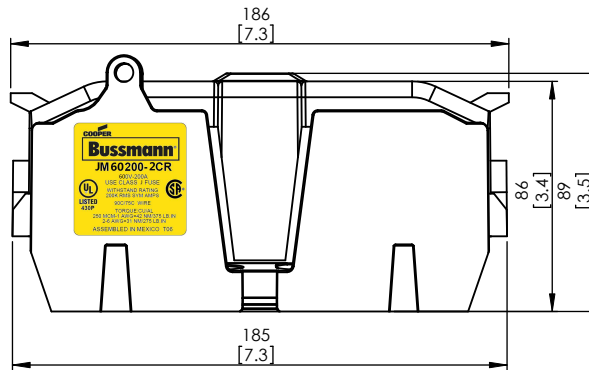
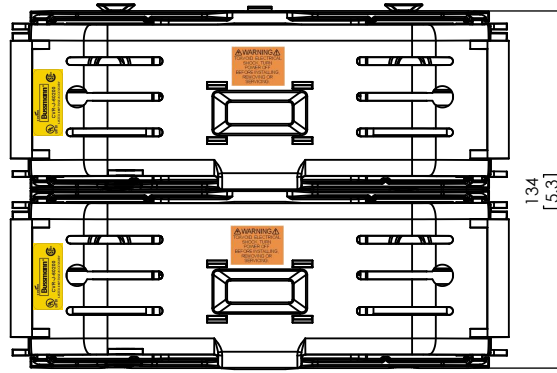
SCALE: 1:2 SIZE: A3 SHEET: 6 OF 14



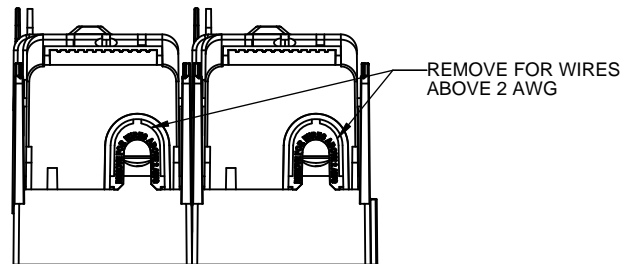
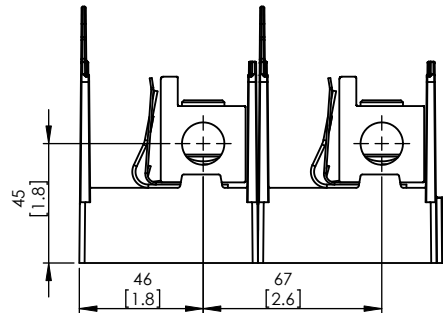
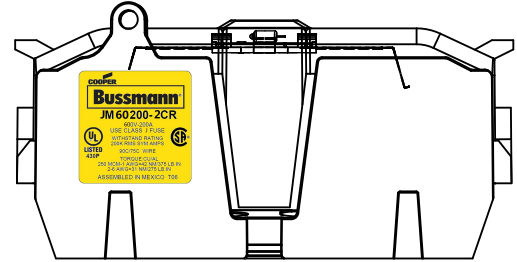
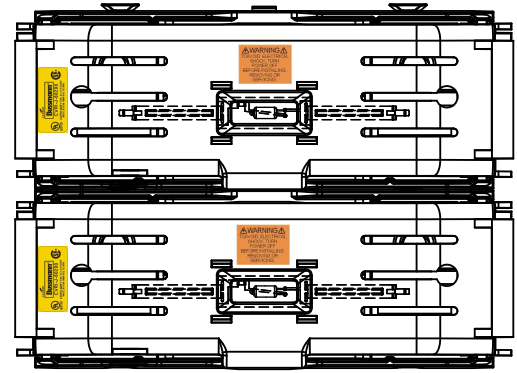
JM60200-2CR



**JM60200-2CR
WITH CVR-J-60200 INSTALLED**



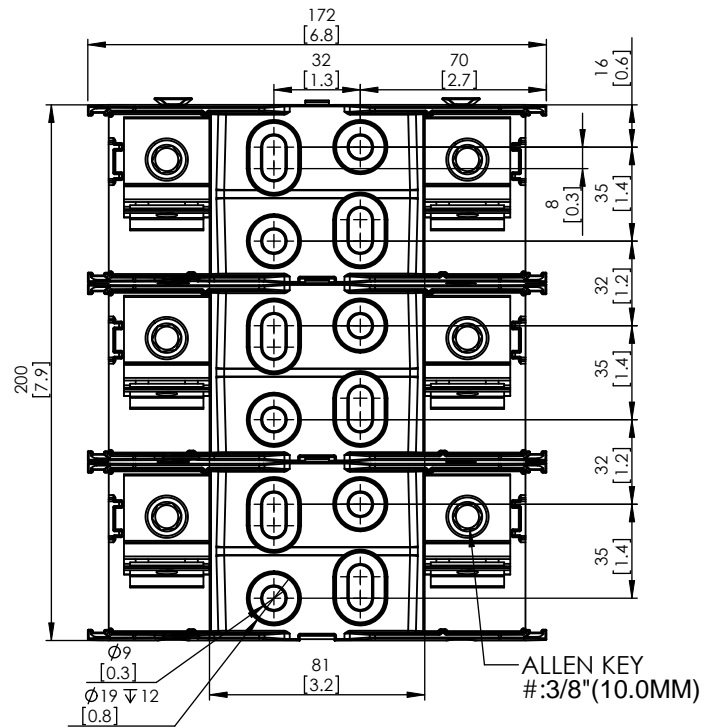
**JM60200-2CR
WITH CVRI-J-60200 INSTALLED**



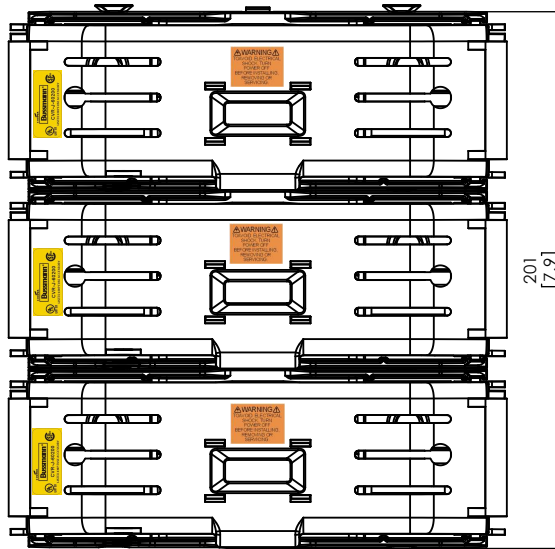
DESIGN UNITS: METRIC (mm)
UNLESS OTHERWISE SPECIFIED [INCHES]



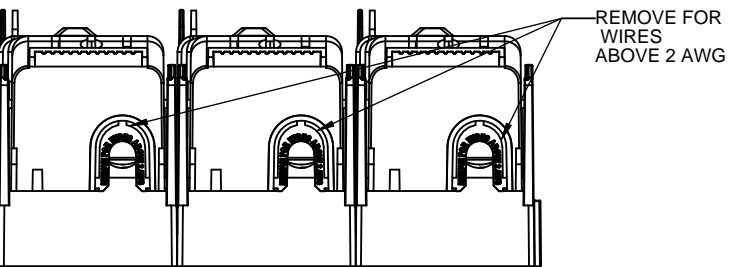
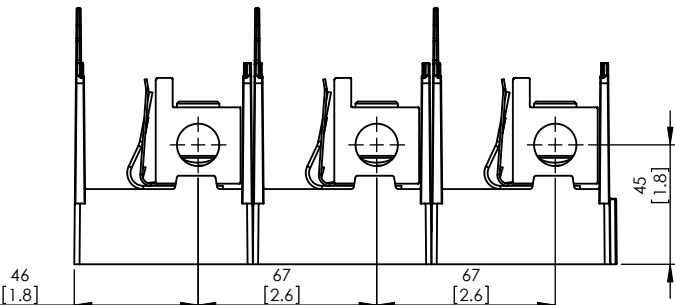
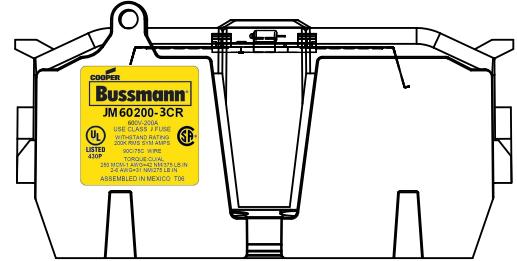
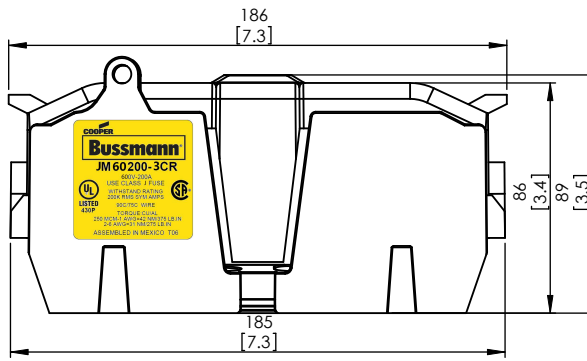
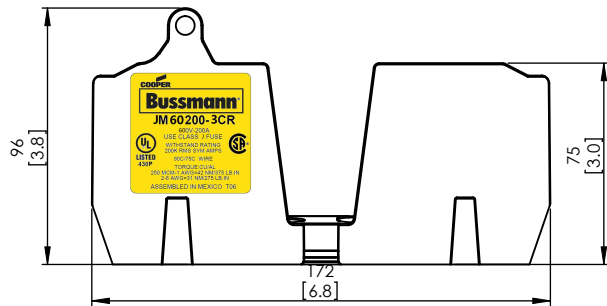
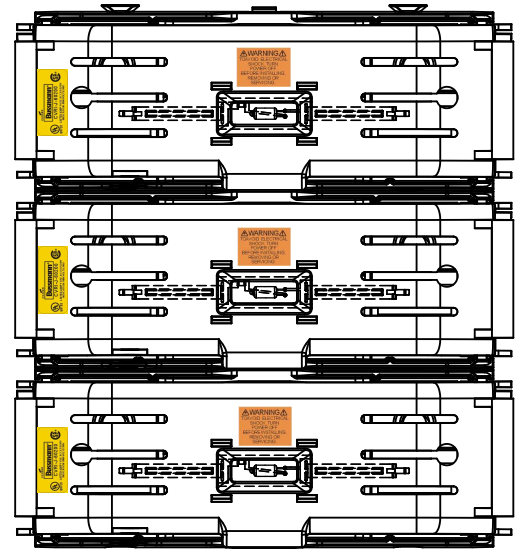
JM60200-3CR



**JM60200-3CR
WITH CVR-J-60200 INSTALLED**



**JM60200-3CR
WITH CVRI-J-60200 INSTALLED**

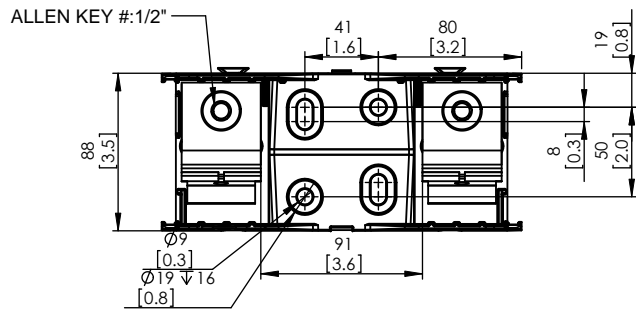


COOPER Bussmann
St. Louis MO 63178

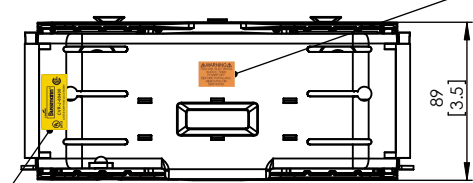
TITLE:
Class J fuse holder-CUST

SCALE: 1:2 SIZE: A3 SHEET: 8 OF 14

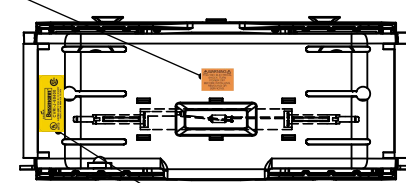
JM60400-1CR



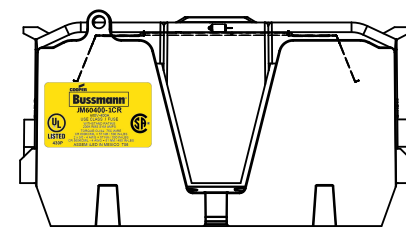
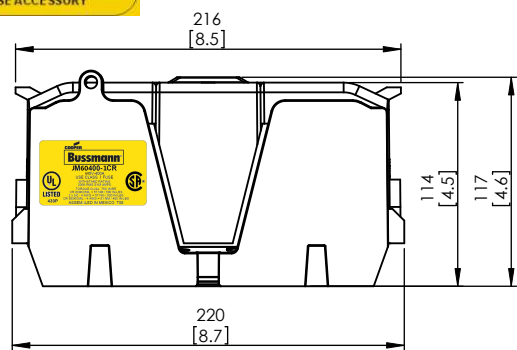
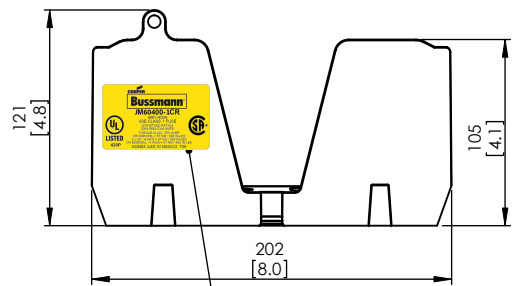
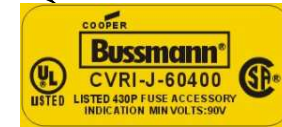
JM60400-1CR WITH CVR-J-60400 INSTALLED



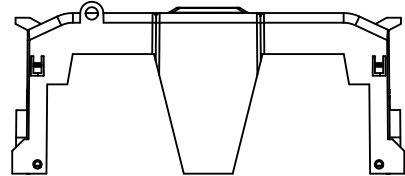
JM60400-1CR WITH CVRI-J-60400 INSTALLED



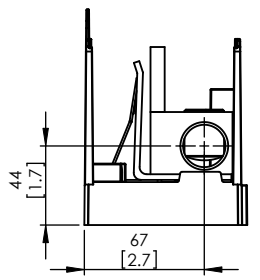
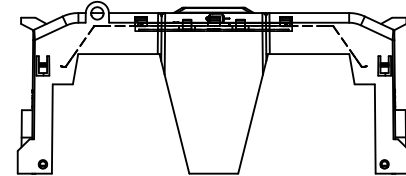
WARNING
TO AVOID ELECTRICAL SHOCK, TURN POWER OFF BEFORE INSTALLING, REMOVING OR SERVICING.



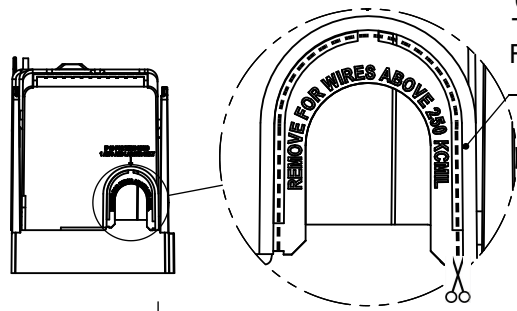
CVR-J-60400



CVRI-J-60400



CUT OPEN ALONG THIS DOTTED LINE FOR WIRES ABOVE 250 KCMIL



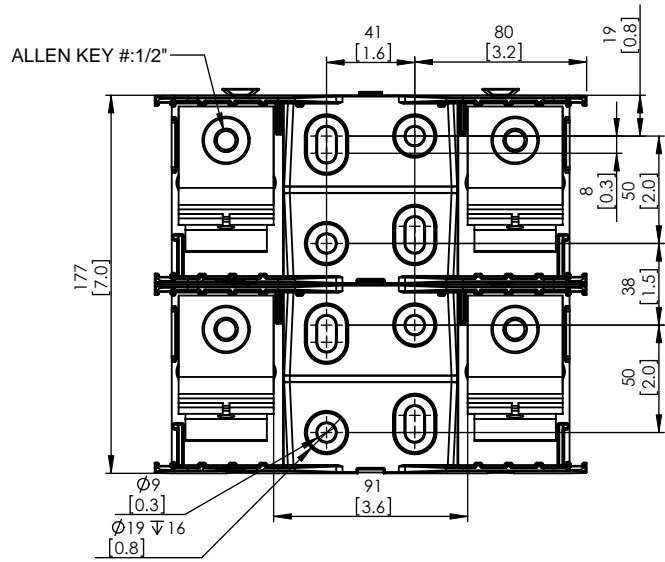
COOPER Bussmann St. Louis MO 63178

TITLE: **Class J fuse holder-CUST**

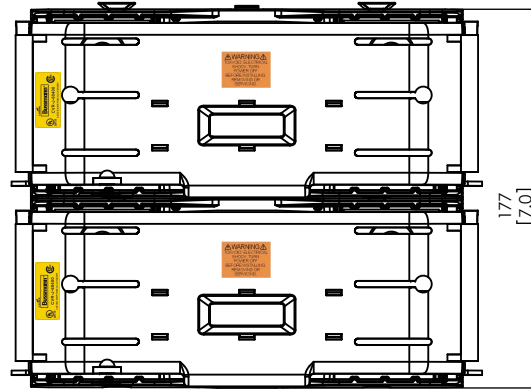
SCALE: 1:5 SIZE: A3 SHEET: 9 OF 14



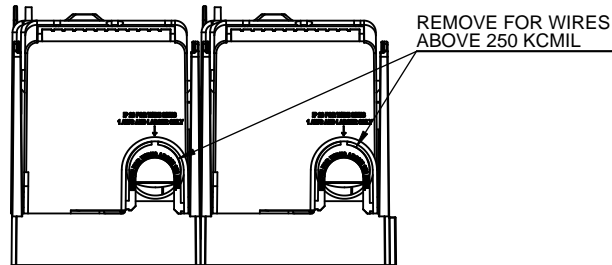
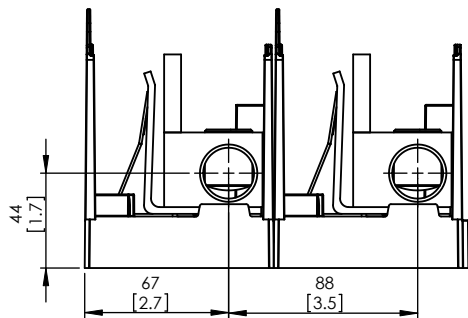
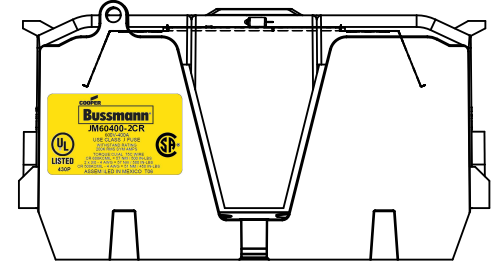
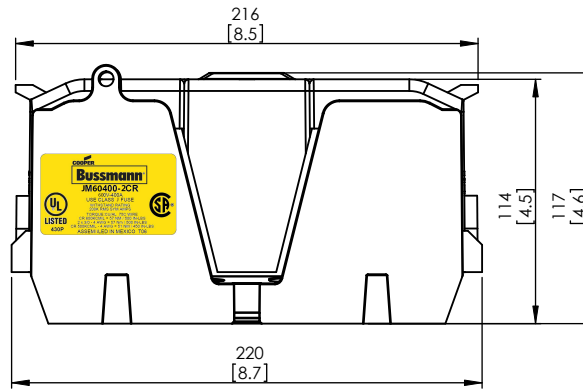
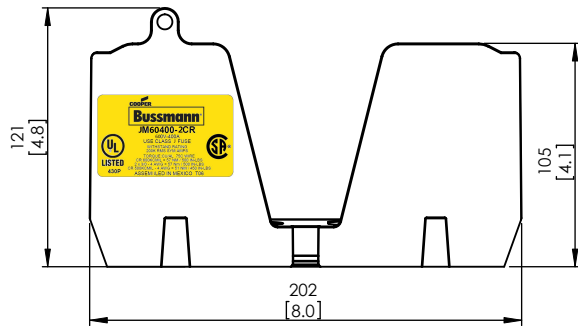
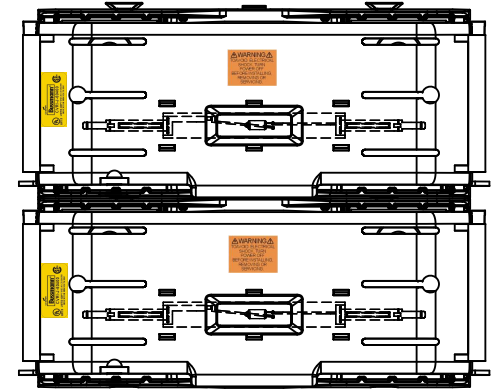
JM60400-2CR



**JM60400-2CR
WITH CVR-J-60400 INSTALLED**



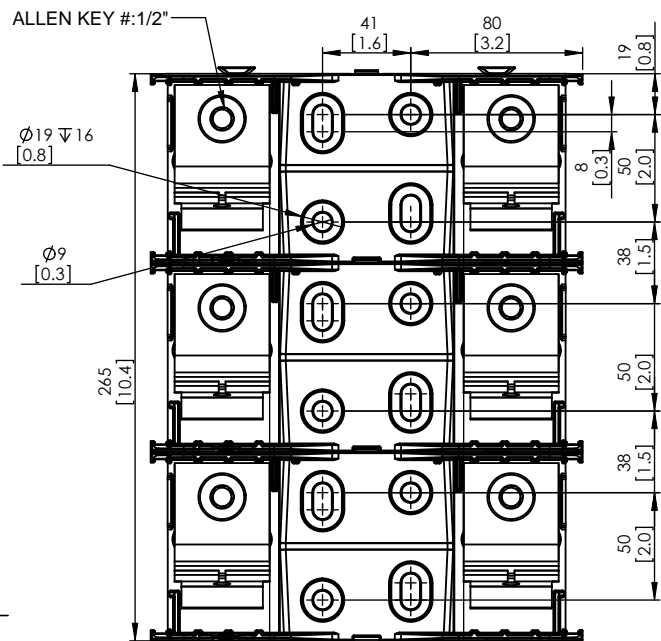
**JM60400-2CR
WITH CVRI-J-60400 INSTALLED**



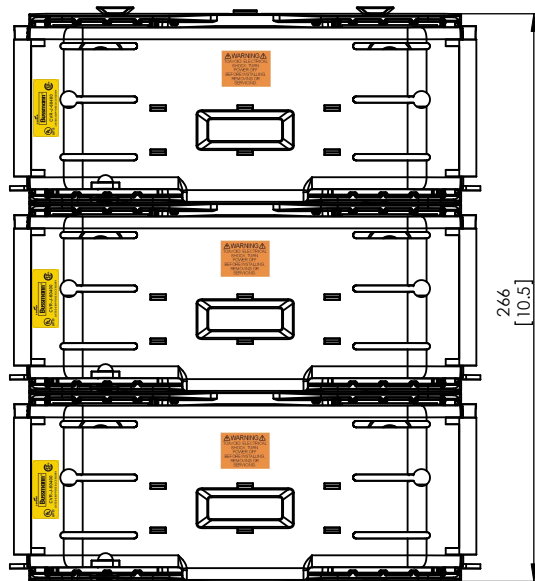
DESIGN UNITS: METRIC (mm)
UNLESS OTHERWISE SPECIFIED
[INCHES]



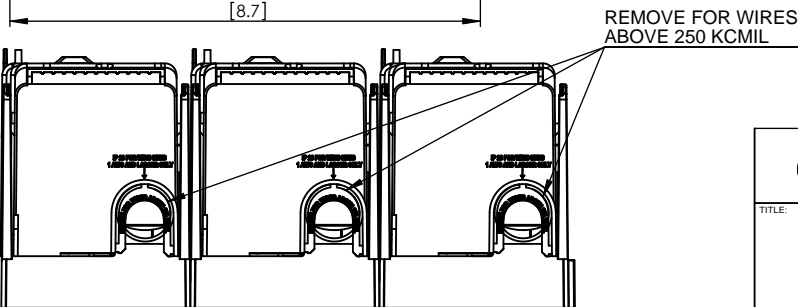
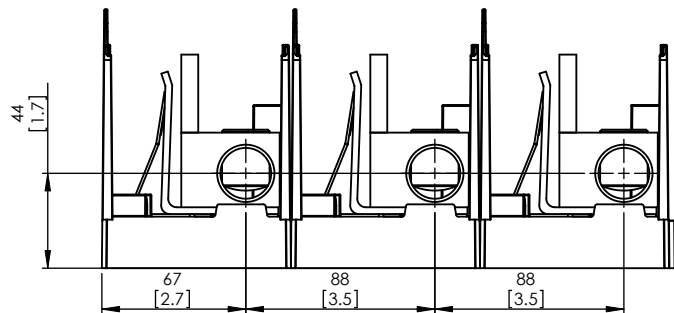
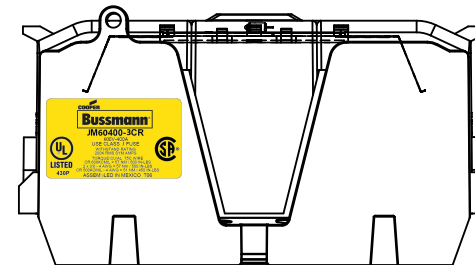
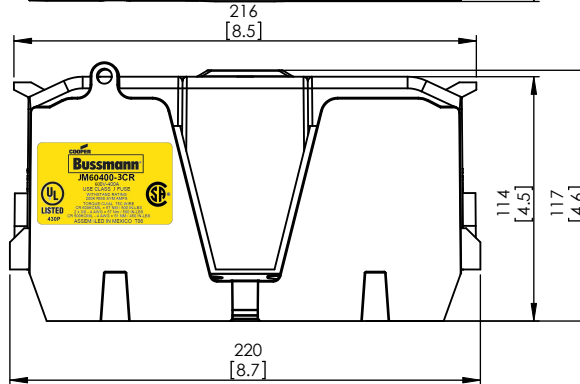
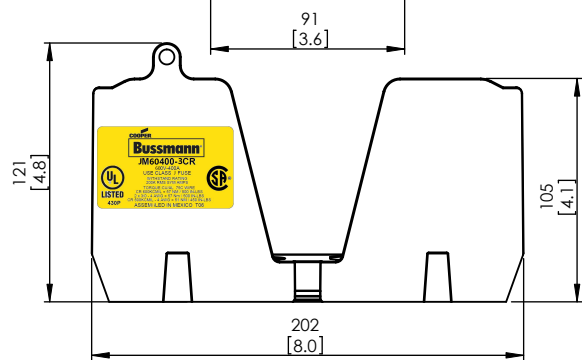
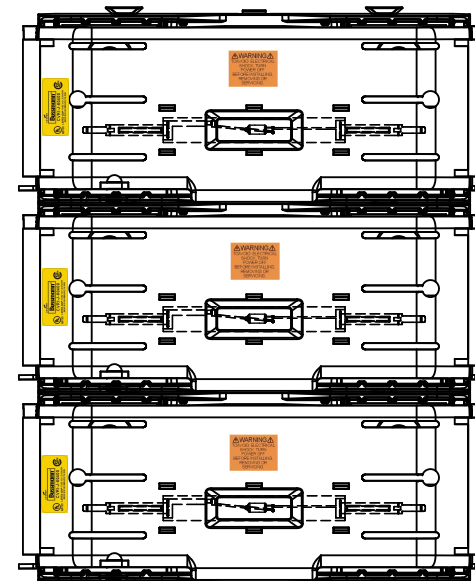
JM60400-3CR



**JM60400-3CR
WITH CVR-J-60400 INSTALLED**



**JM60400-3CR
WITH CVRI-J-60400 INSTALLED**

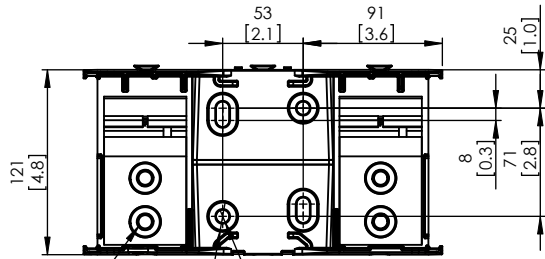


COOPER Bussmann
St. Louis MO 63178

TITLE:
Class J fuse holder-CUST

SCALE: 1:5 SIZE: A3 SHEET: 11 OF 14

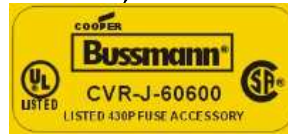
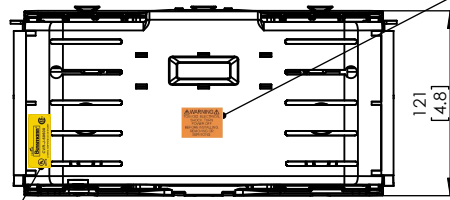
JM60600-1CR



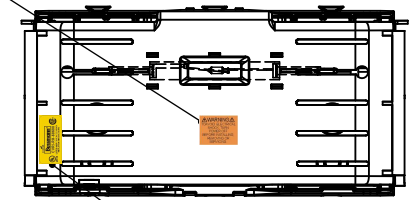
ALLEN KEY #: 3/8" (10.0MM)



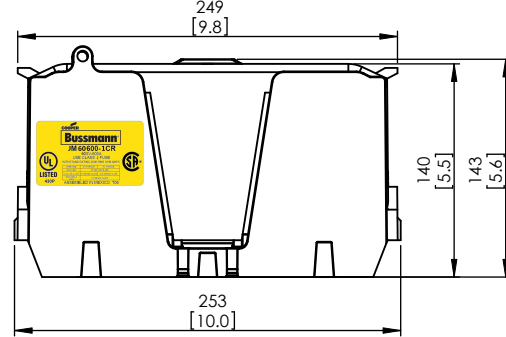
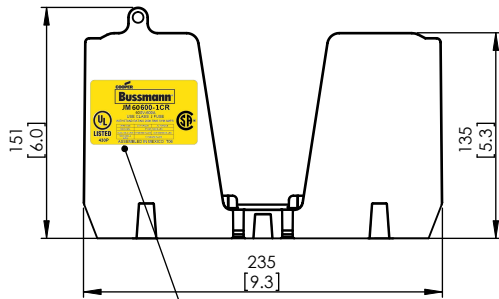
JM60600-1CR WITH CVR-J-60600 INSTALLED



JM60600-1CR WITH CVRI-J-60600 INSTALLED



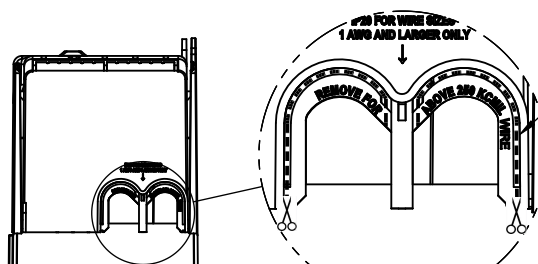
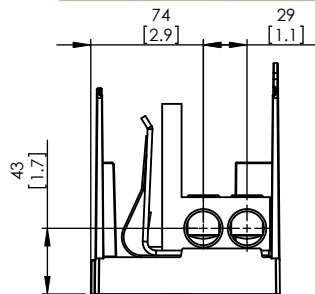
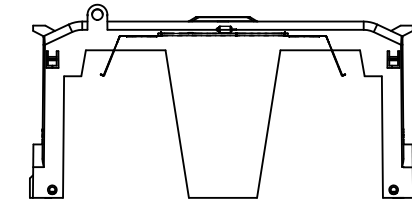
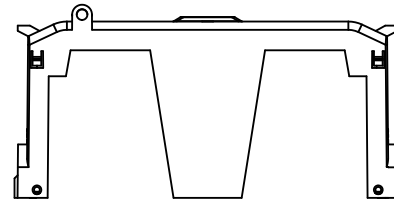
WARNING
 TO AVOID ELECTRICAL SHOCK, TURN POWER OFF BEFORE INSTALLING, REMOVING OR SERVICING.



CVR-J-60600



CVRI-J-60600



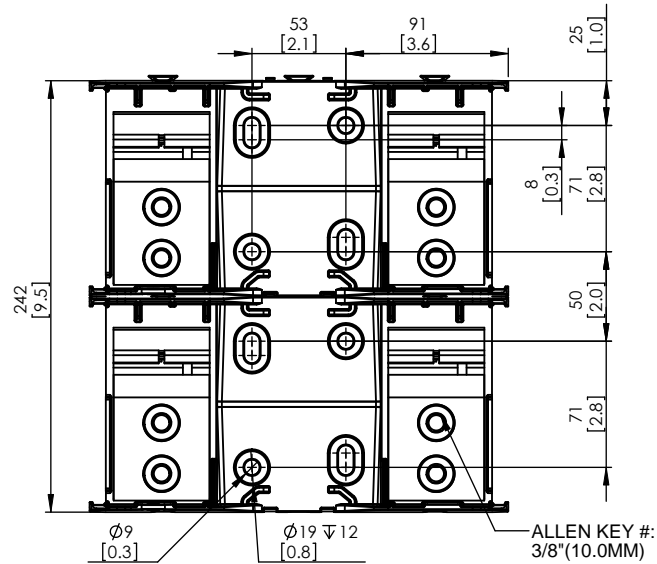
CUT OPEN ALONG THIS DOTTED LINE FOR WIRES ABOVE 250 KCMIL

COOPER Bussmann
 St. Louis MO 63178

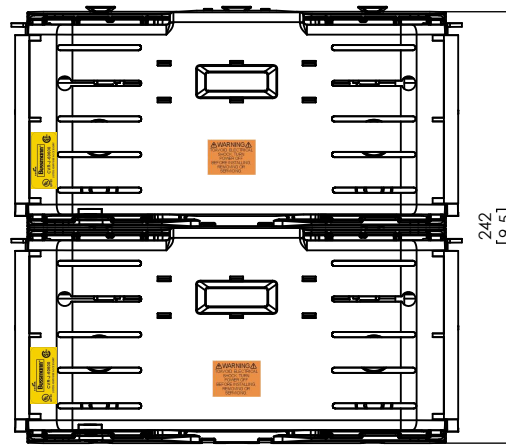
Class J fuse holder-CUST

SCALE: 1:5 SIZE: A3 SHEET: 12 OF 14

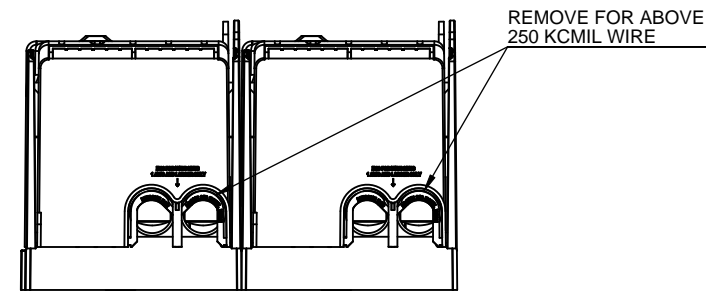
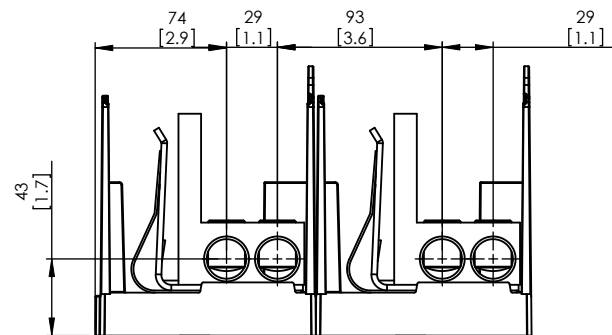
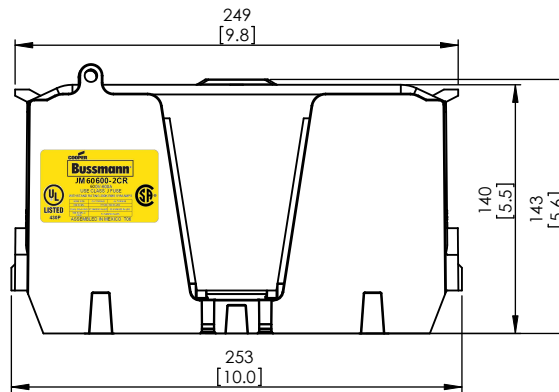
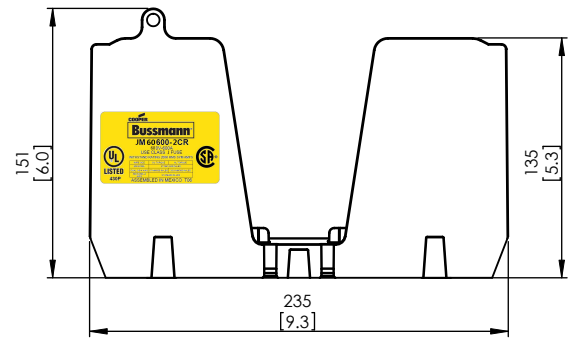
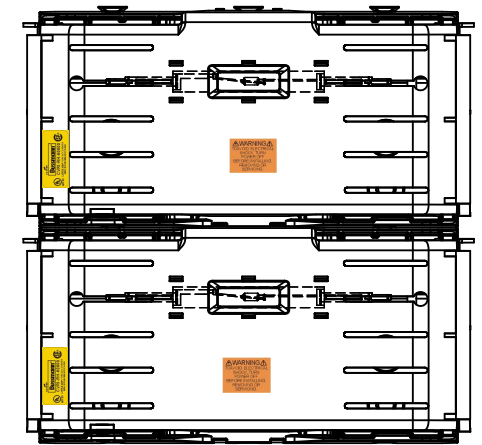
JM60600-2CR



**JM60600-2CR
WITH CVR-J-60600 INSTALLED**



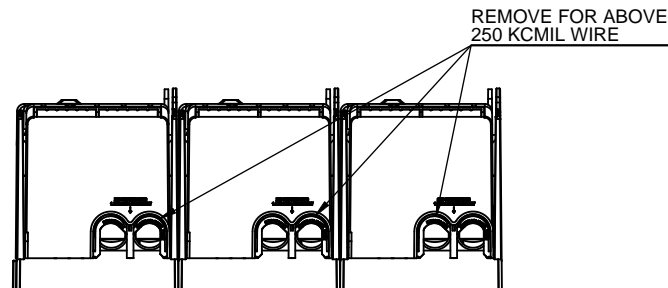
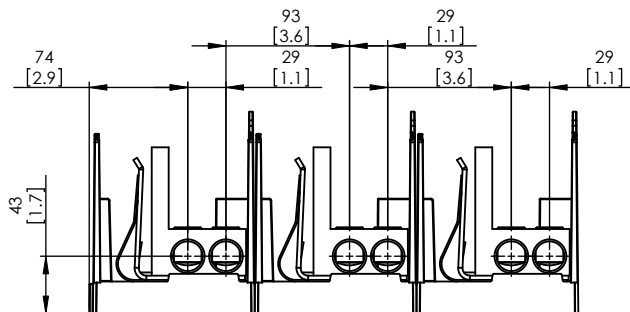
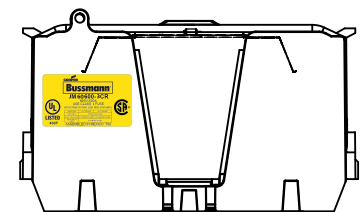
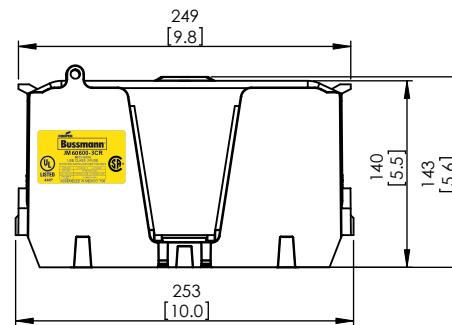
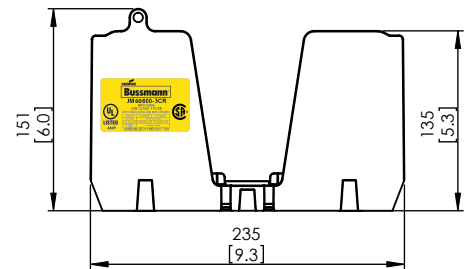
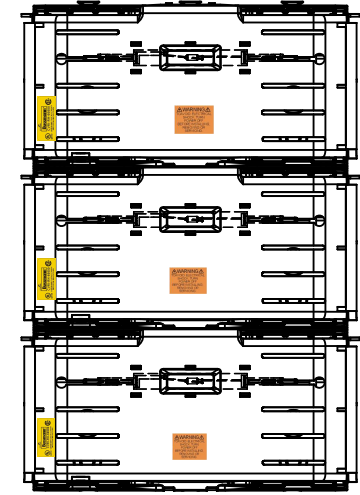
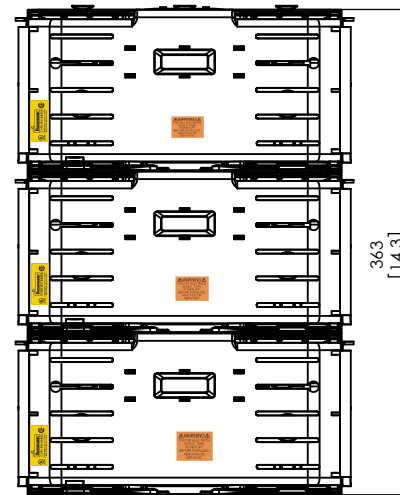
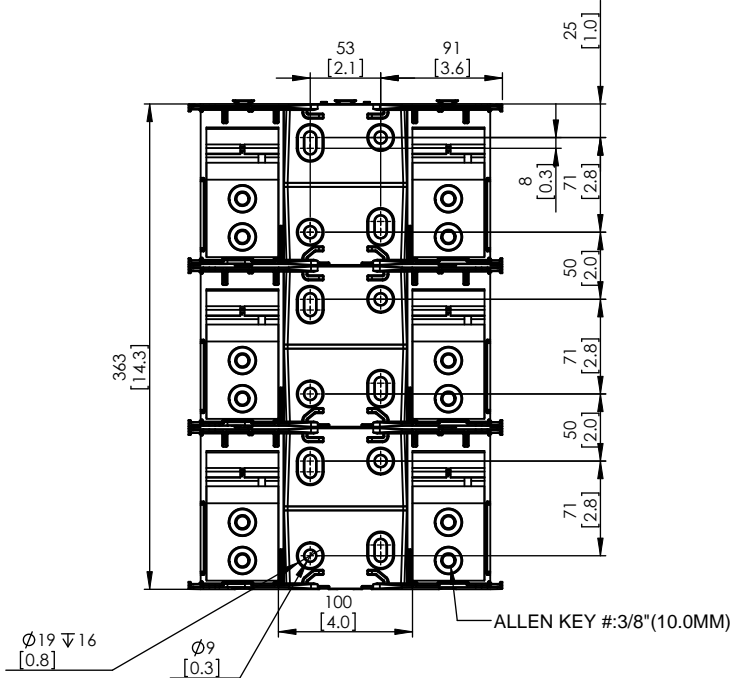
**JM60600-2CR
WITH CVRI-J-60600 INSTALLED**



JM60600-3CR

**JM60600-3CR
WITH CVR-J-60600 INSTALLED**

**JM60600-3CR
WITH CVRI-J-60600 INSTALLED**



COOPER Bussmann
St. Louis MO 63178

TITLE:
Class J fuse holder-CUST

SCALE: 1:5 SIZE: A3 SHEET: 14 OF 14