

Class J Fuseblocks(600V) Catalog Data

Catalog Number	Covers		Voltage	Current	Number of Poles	Label
	Class J	w/o Indication				
JM60100-1CR	CVR-J-60100	CVRI-J-60100	600	100	1	JM60100-1CR
JM60100-2CR					2	JM60100-2CR
JM60100-3CR					3	JM60100-3CR
JM60200-1CR	CVR-J-60200	CVRI-J-60200		200	1	JM60200-1CR
JM60200-2CR					2	JM60200-2CR
JM60200-3CR					3	JM60200-3CR
JM60400-1CR	CVR-J-60400	CVRI-J-60400		400	1	JM60400-1CR
JM60400-2CR					2	JM60400-2CR
JM60400-3CR					3	JM60400-3CR
JM60600-1CR	CVR-J-60600	CVRI-J-60600		600	1	JM60600-1CR
JM60600-2CR					2	JM60600-2CR
JM60600-3CR					3	JM60600-3CR

COOPER Bussmann
St. Louis MO 63178

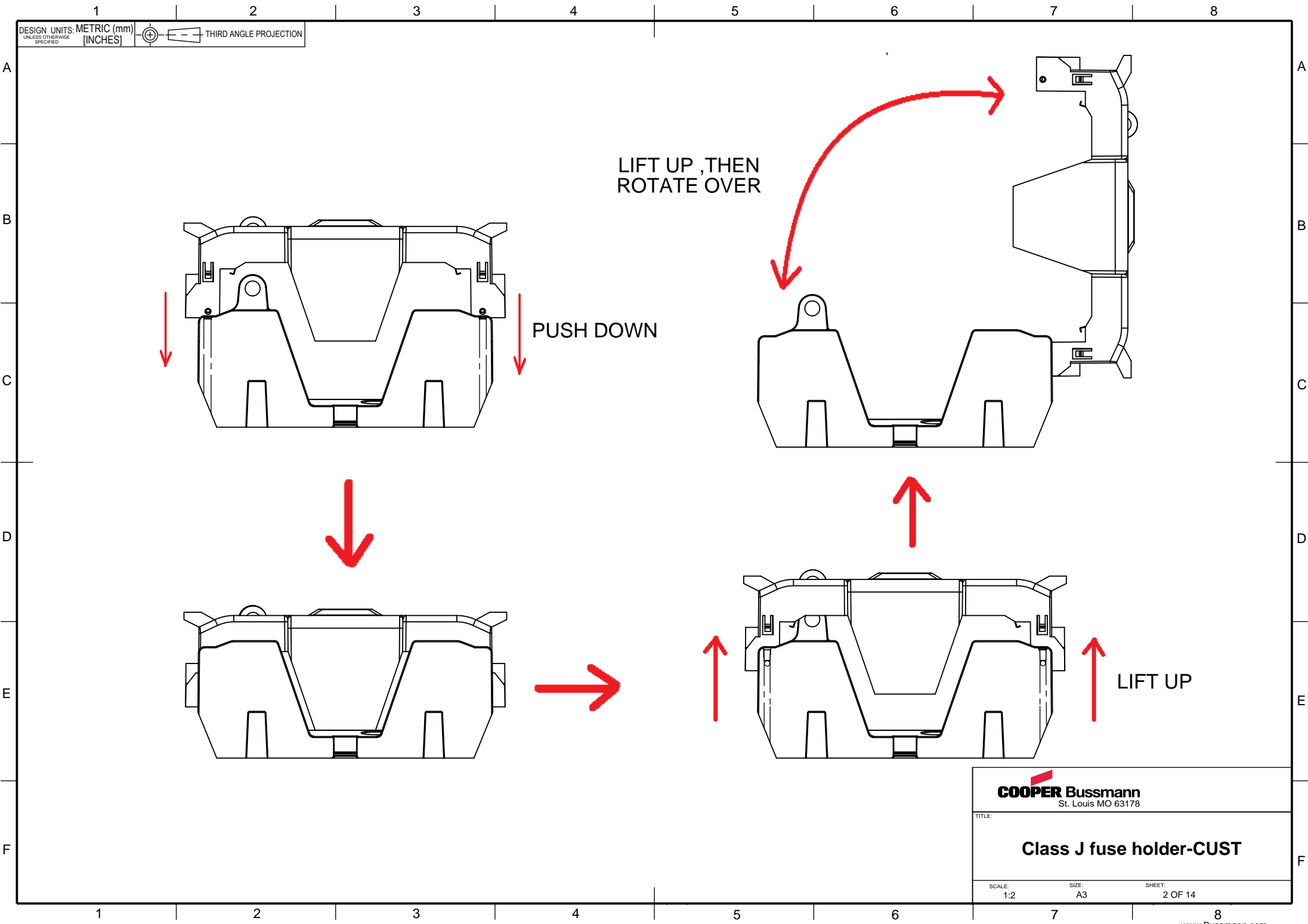
TITLE:

Class J fuse holder-CUST

SCALE:
1:5

SIZE:
A3

SHEET:
1 OF 14

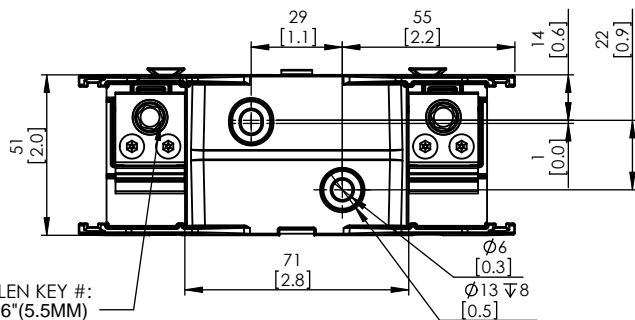


COOPER Bussmann
St. Louis MO 63178

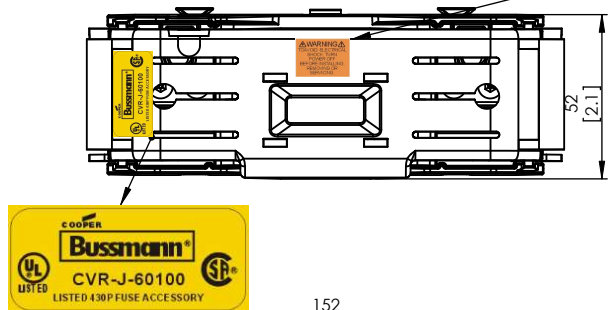
TITLE:
Class J fuse holder-CUST

SCALE: 1:2 SIZE: A3 SHEET: 2 OF 14

JM60100-1CR

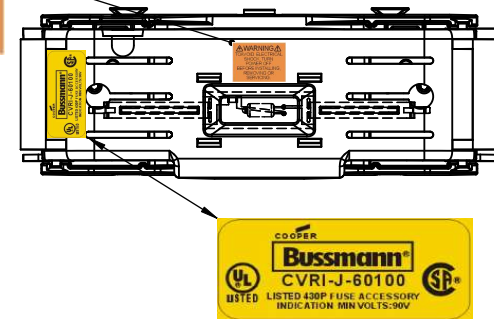


JM60100-1CR WITH CVR-J-60100 INSTALLED

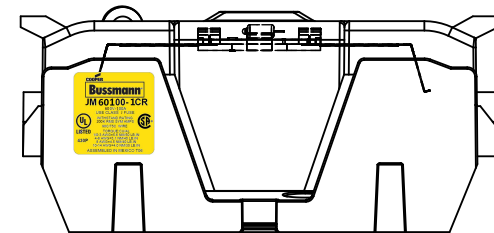
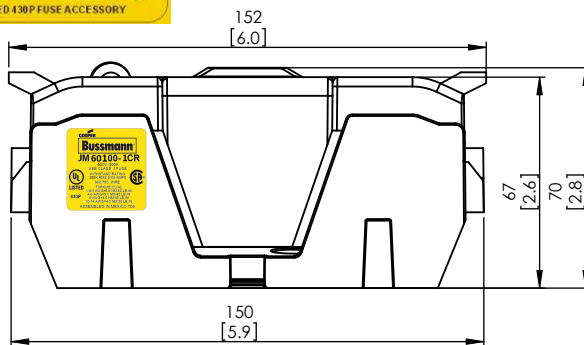
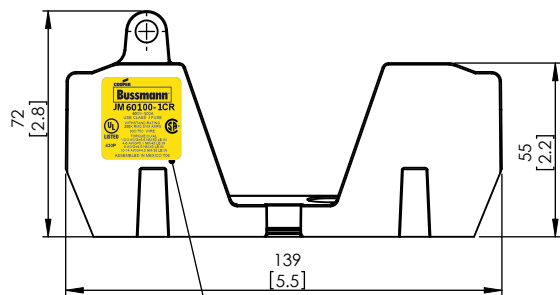


JM60100-1CR WITH CVRI-J-60100 INSTALLED

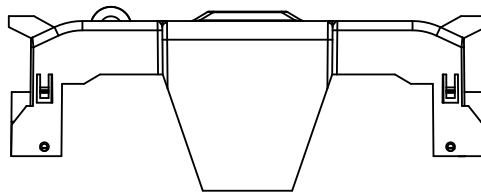
WARNING
 TO AVOID ELECTRICAL SHOCK, TURN POWER OFF BEFORE INSTALLING, REMOVING OR SERVICING.



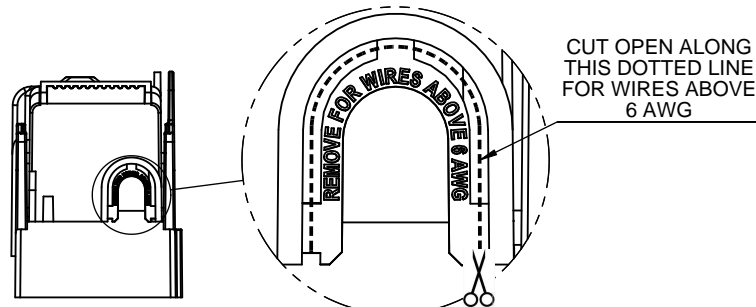
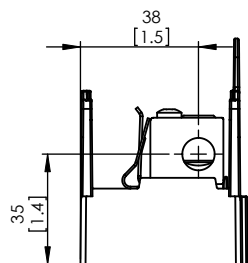
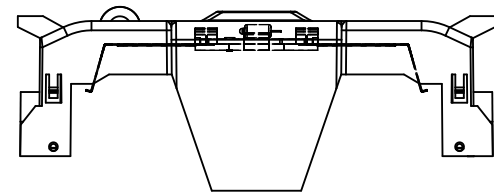
ALLEN KEY #: 3/16\"/>



CVR-J-60100



CVRI-J-60100



COOPER Bussmann
 St. Louis MO 63178

Class J fuse holder-CUST

SCALE: 1:1 SIZE: A3 SHEET: 3 OF 14

DESIGN UNITS: METRIC (mm)
UNLESS OTHERWISE SPECIFIED
[INCHES]

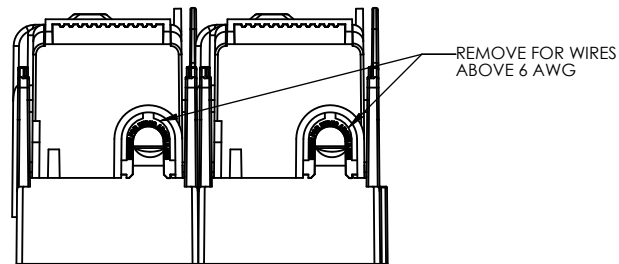
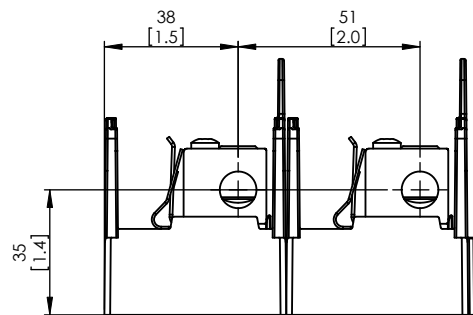
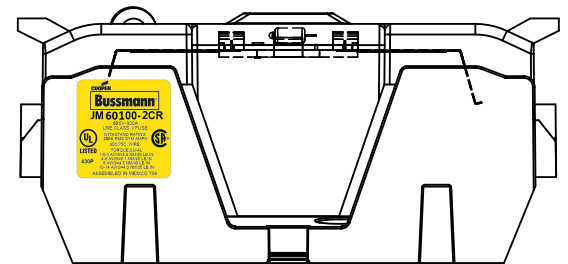
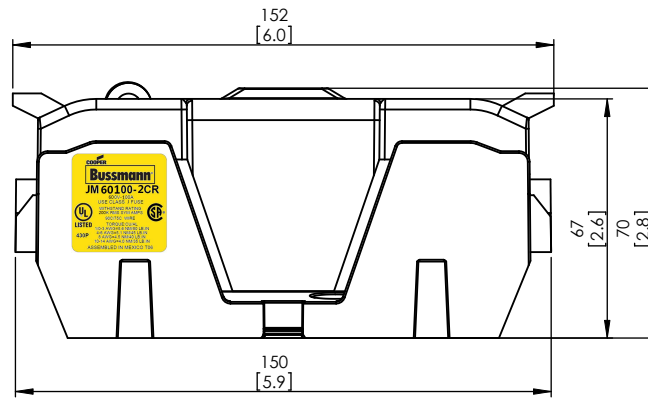
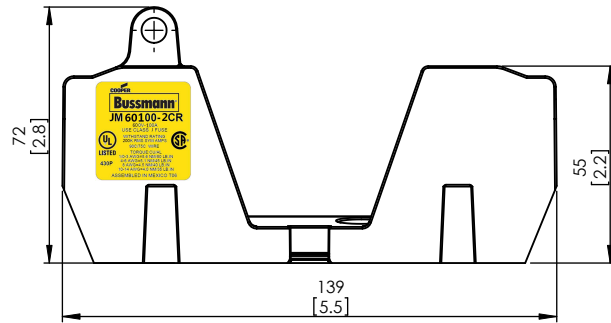
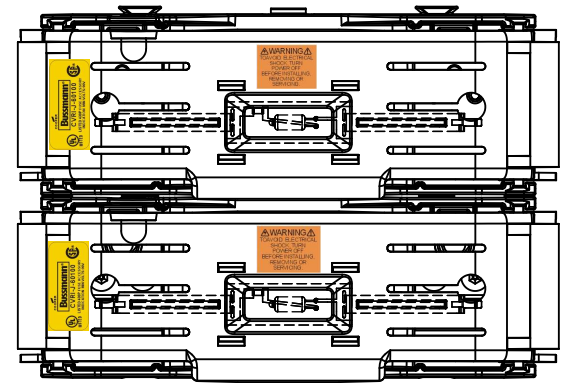
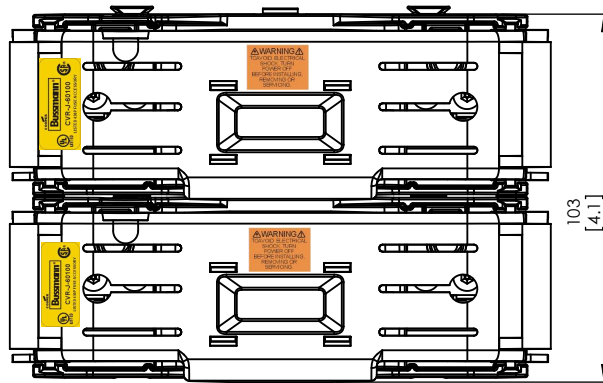
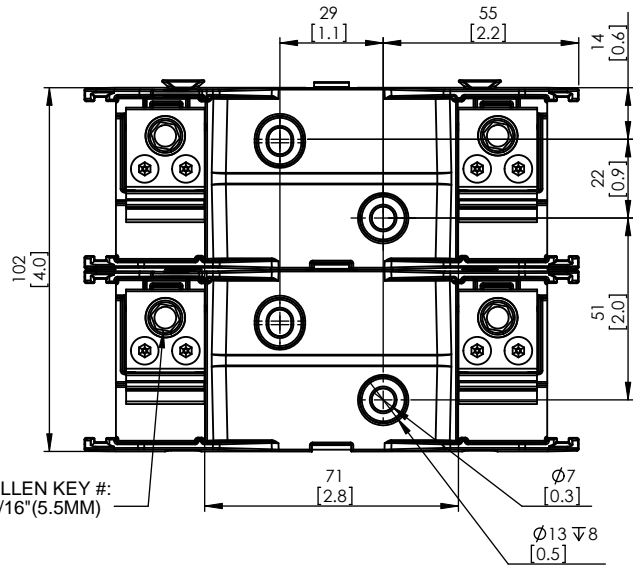


THIRD ANGLE PROJECTION

JM60100-2CR

**JM60100-2CR
WITH CVR-J-60100 INSTALLED**

**JM60100-2CR
WITH CVRI-J-60100 INSTALLED**



COOPER Bussmann
St. Louis MO 63178

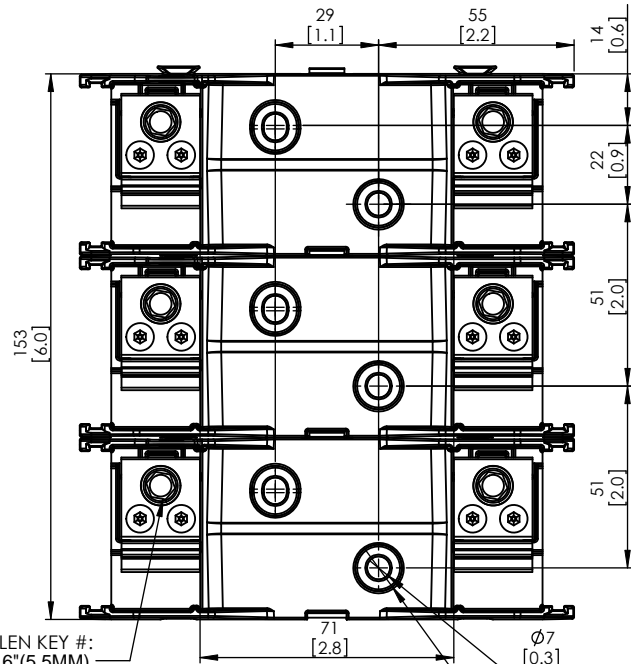
TITLE:
Class J fuse holder-CUST

SCALE: 1:1 SIZE: A3 SHEET: 4 OF 14

DESIGN UNITS: METRIC (mm)
UNLESS OTHERWISE SPECIFIED [INCHES]



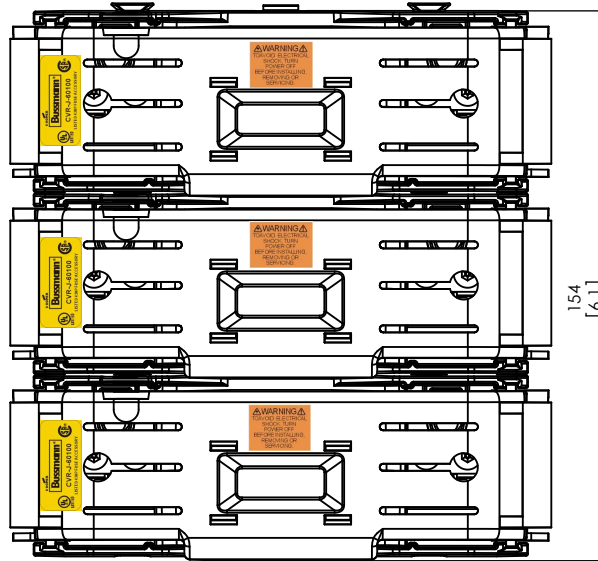
JM60100-3CR



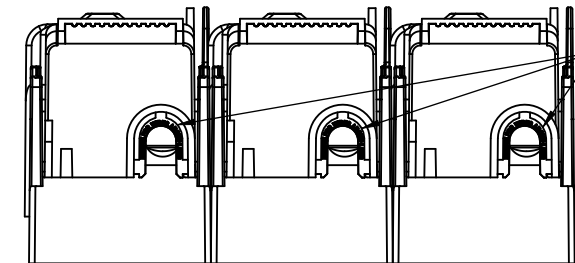
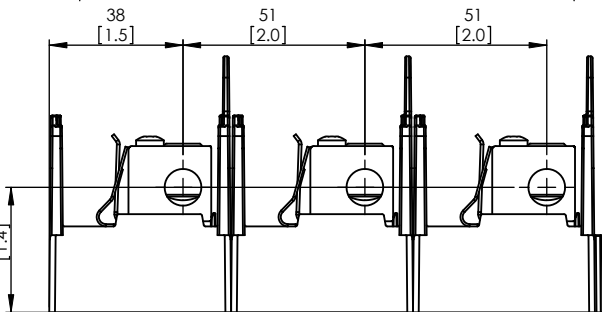
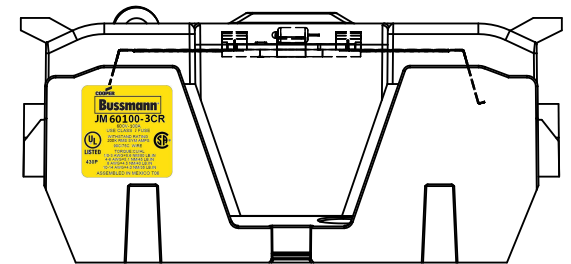
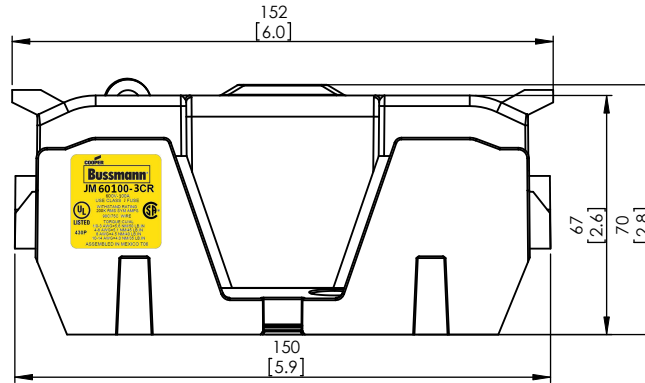
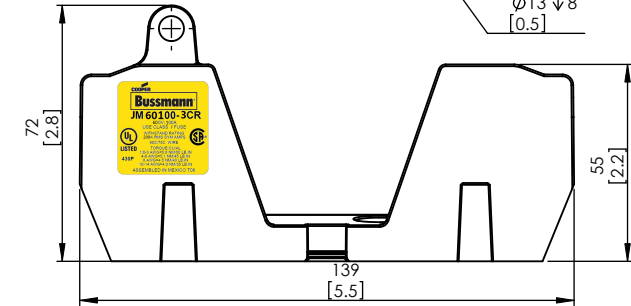
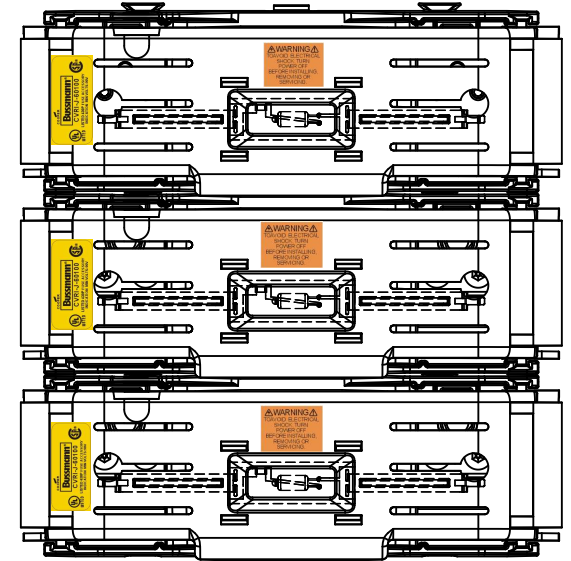
ALLEN KEY #:
3/16" (5.5MM)

Ø7 [0.3]
Ø13 ∇ 8 [0.5]

**JM60100-3CR
WITH CVR-J-60100 INSTALLED**



**JM60100-3CR
WITH CVRI-J-60100 INSTALLED**



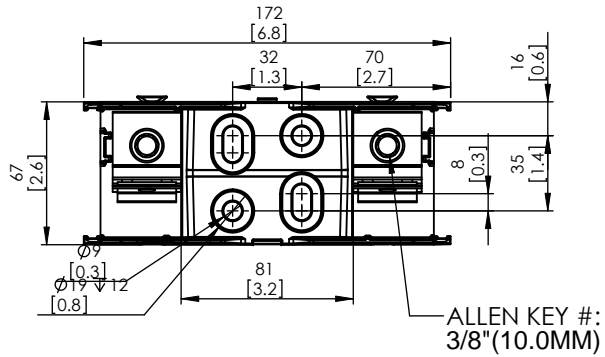
REMOVE FOR WIRES
ABOVE 6 AWG

COOPER Bussmann
St. Louis MO 63178

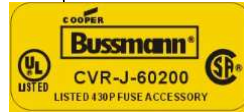
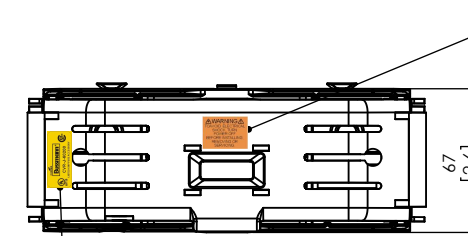
Class J fuse holder-CUST

SCALE: 1:1 SIZE: A3 SHEET: 5 OF 14

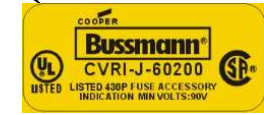
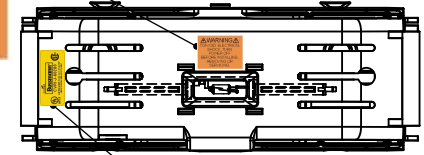
JM60200-1CR



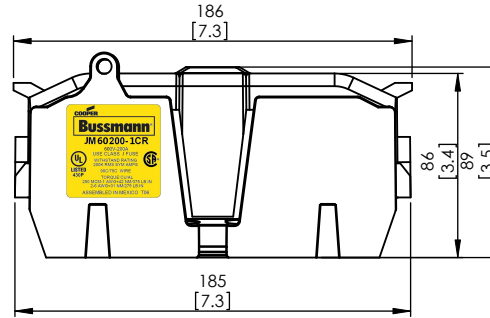
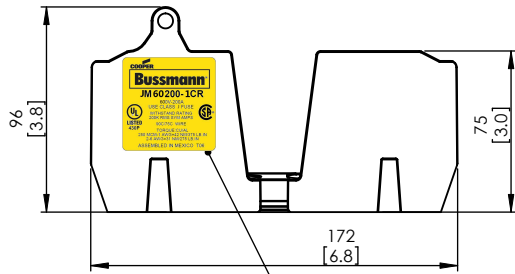
JM60200-1CR WITH CVR-J-60200 INSTALLED



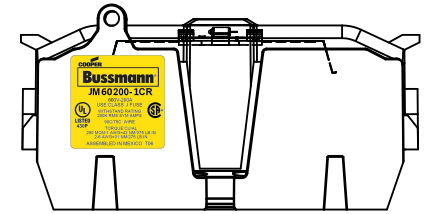
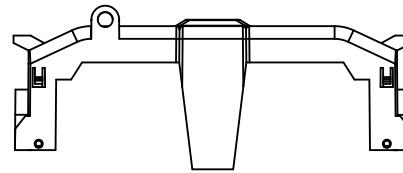
JM60200-1CR WITH CVRI-J-60200 INSTALLED



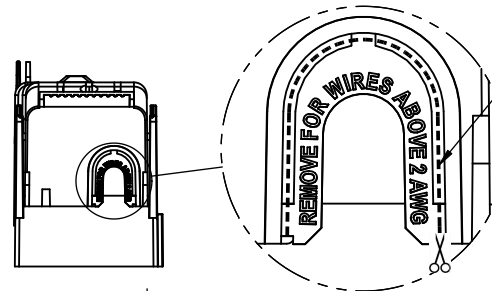
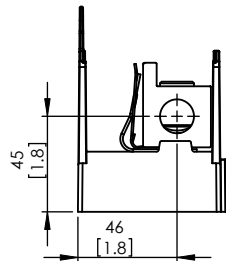
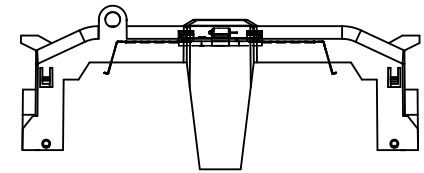
WARNING
TO AVOID ELECTRICAL SHOCK, TURN POWER OFF BEFORE INSTALLING, REMOVING OR SERVICING.



CVR-J-60200



CVRI-J-60200

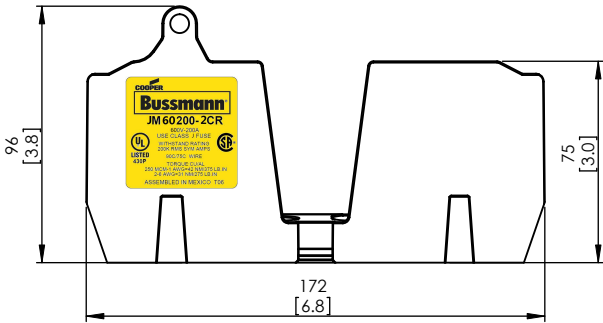
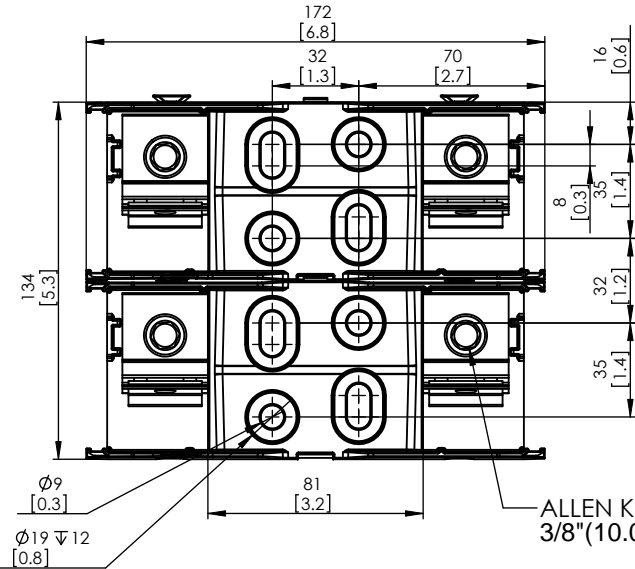


COOPER Bussmann
St. Louis MO 63178

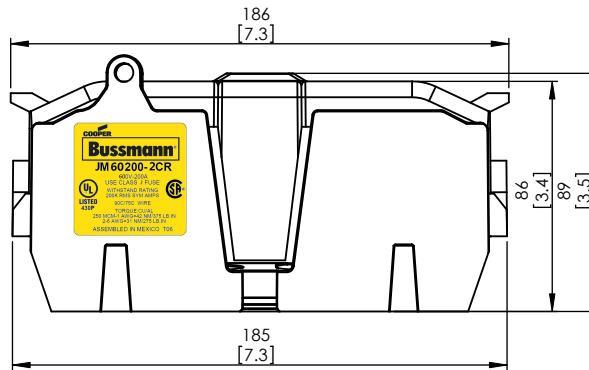
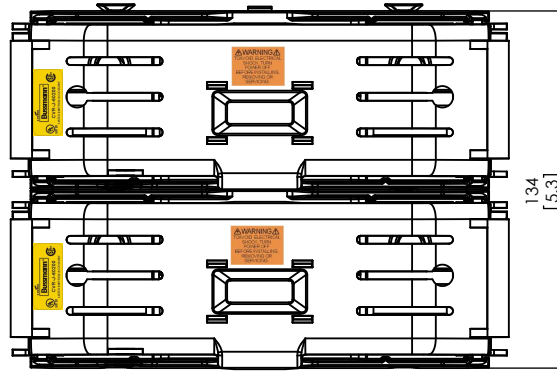
TITLE:
Class J fuse holder-CUST

SCALE: 1:2 SIZE: A3 SHEET: 6 OF 14

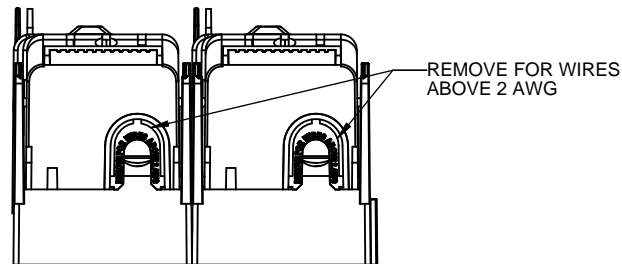
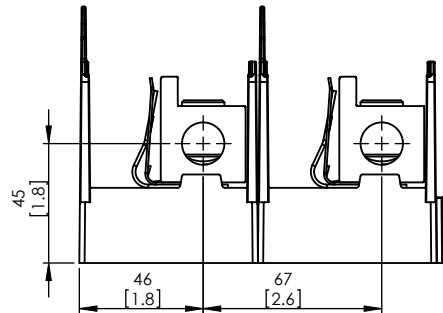
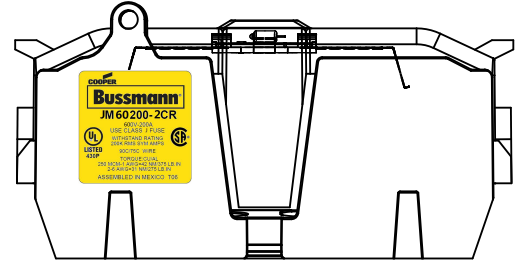
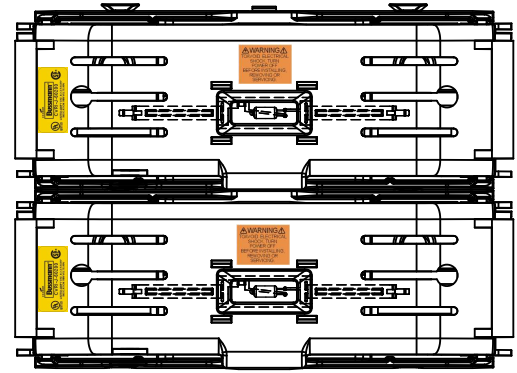
JM60200-2CR



**JM60200-2CR
WITH CVR-J-60200 INSTALLED**



**JM60200-2CR
WITH CVRI-J-60200 INSTALLED**



COOPER Bussmann
St. Louis MO 63178

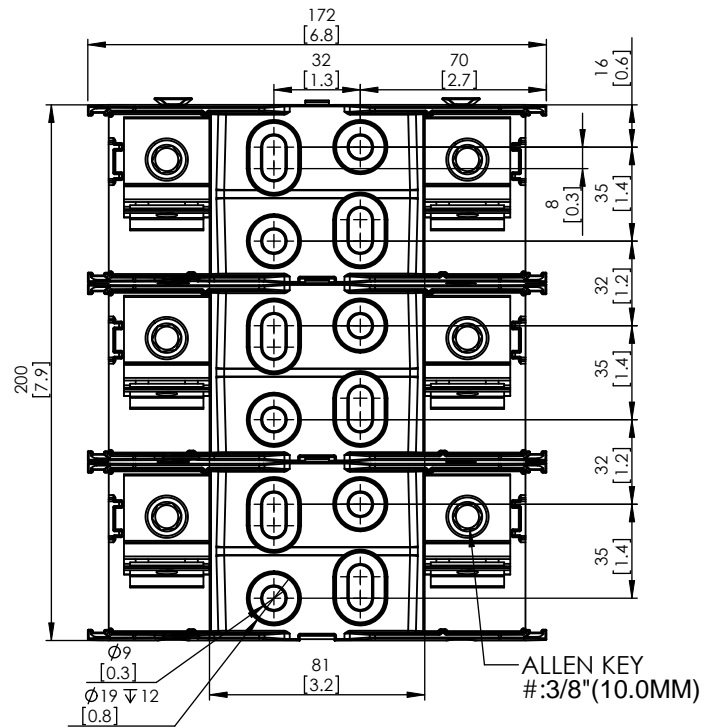
TITLE:
Class J fuse holder-CUST

SCALE: 1:2 SIZE: A3 SHEET: 7 OF 14

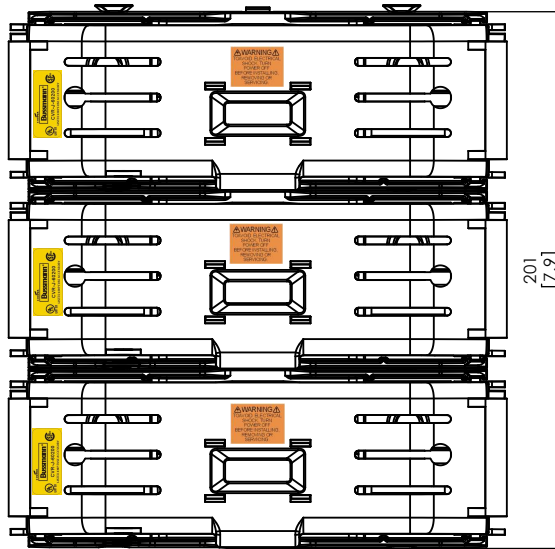
DESIGN UNITS: METRIC (mm)
UNLESS OTHERWISE SPECIFIED [INCHES]



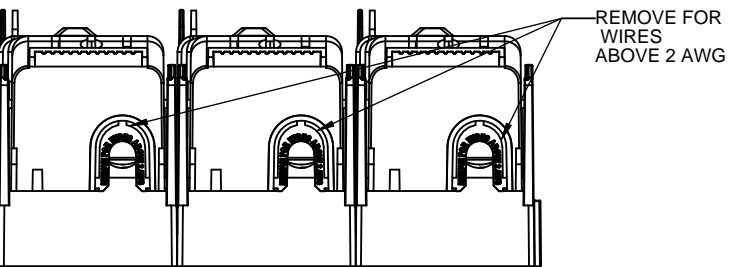
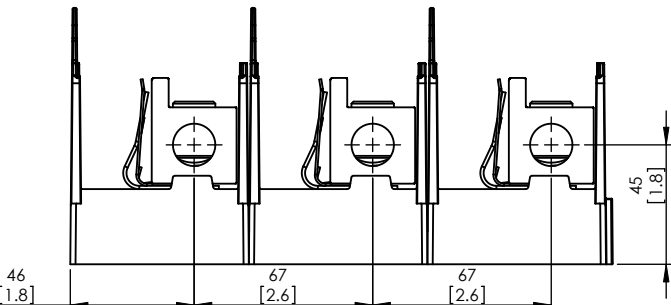
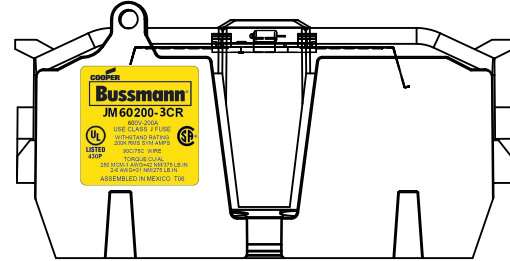
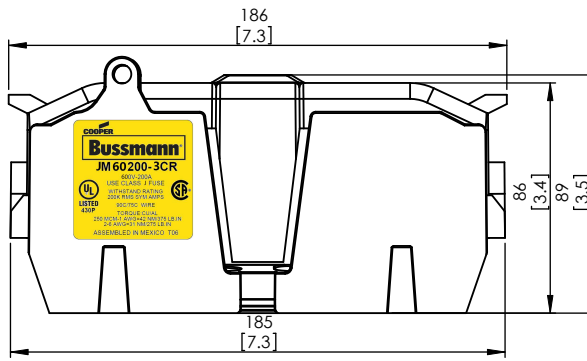
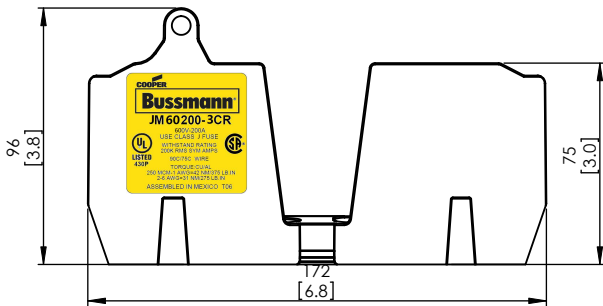
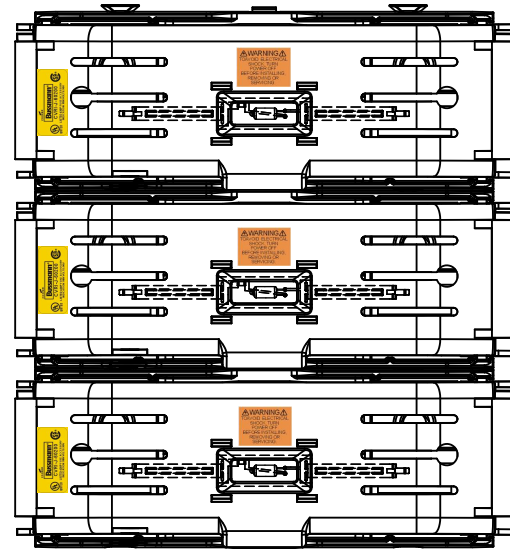
JM60200-3CR



**JM60200-3CR
WITH CVR-J-60200 INSTALLED**



**JM60200-3CR
WITH CVRI-J-60200 INSTALLED**

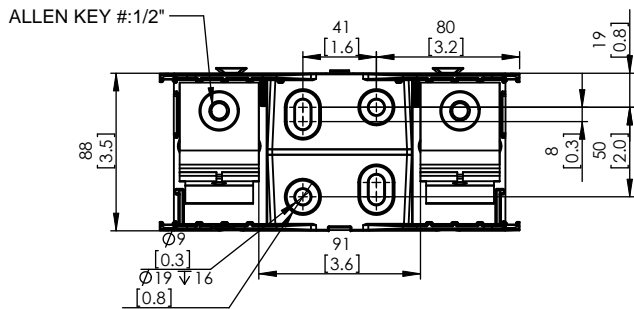


COOPER Bussmann
St. Louis MO 63178

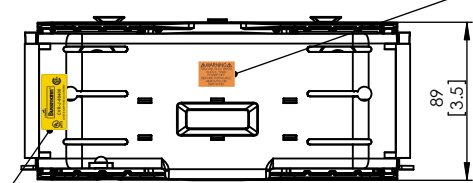
TITLE:
Class J fuse holder-CUST

SCALE: 1:2 SIZE: A3 SHEET: 8 OF 14

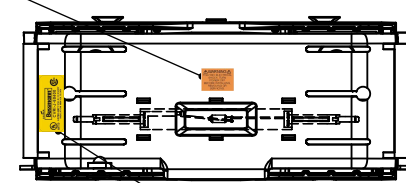
JM60400-1CR



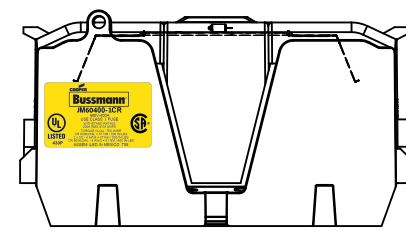
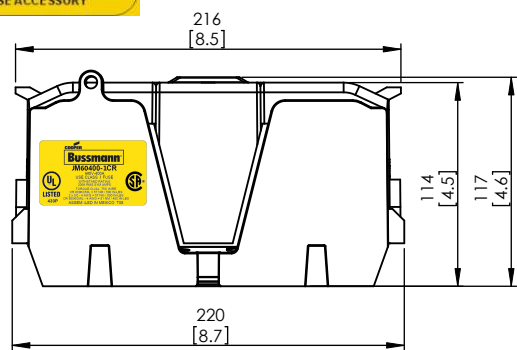
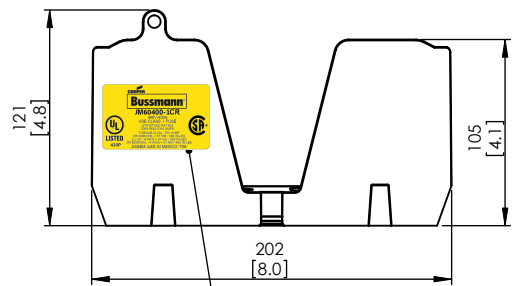
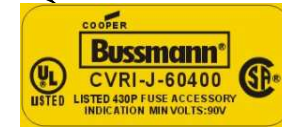
JM60400-1CR WITH CVR-J-60400 INSTALLED



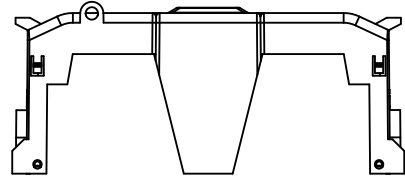
JM60400-1CR WITH CVRI-J-60400 INSTALLED



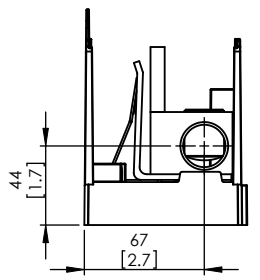
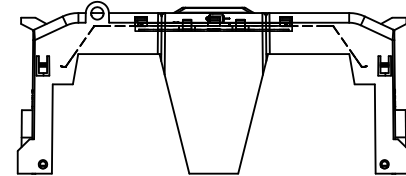
WARNING
TO AVOID ELECTRICAL SHOCK, TURN POWER OFF BEFORE INSTALLING, REMOVING OR SERVICING.



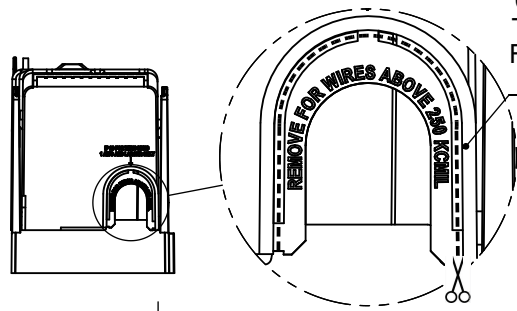
CVR-J-60400



CVRI-J-60400



CUT OPEN ALONG THIS DOTTED LINE FOR WIRES ABOVE 250 KCMIL



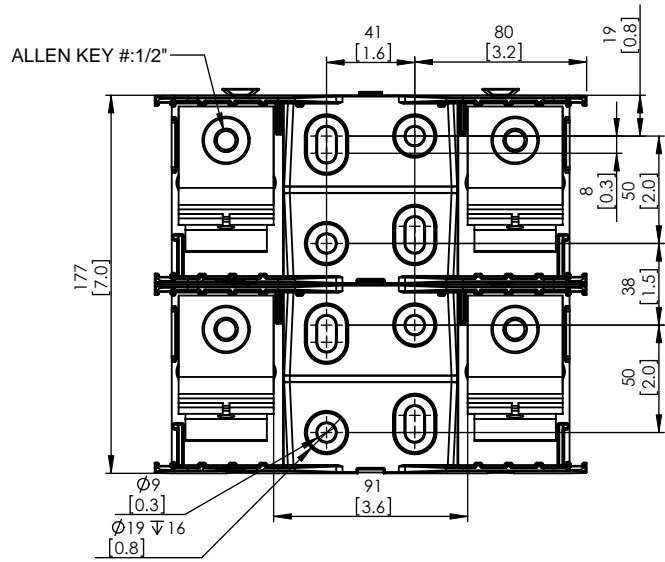
COOPER Bussmann St. Louis MO 63178

TITLE: **Class J fuse holder-CUST**

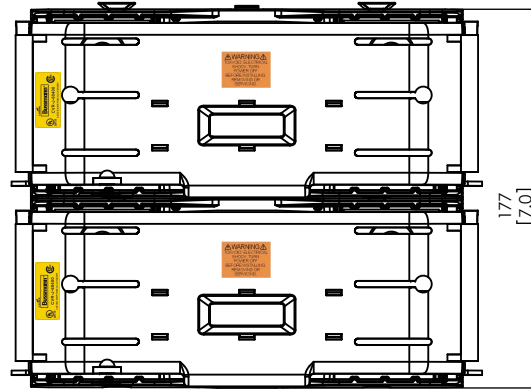
SCALE: 1:5 SIZE: A3 SHEET: 9 OF 14



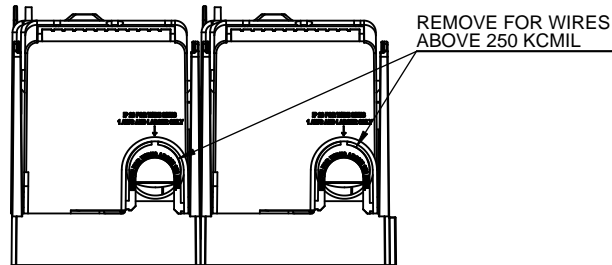
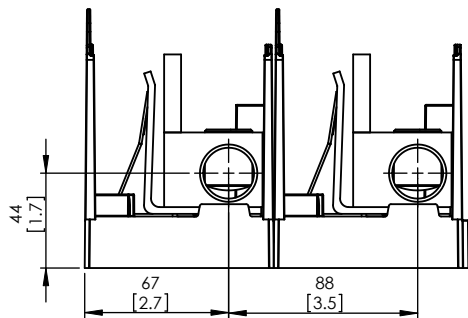
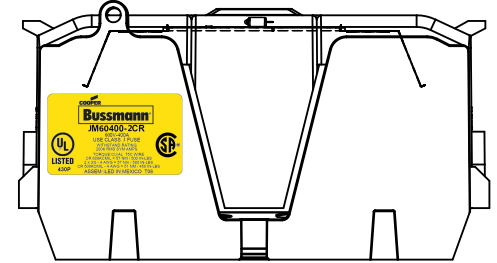
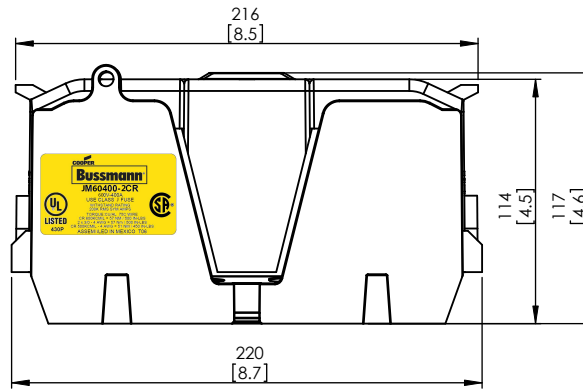
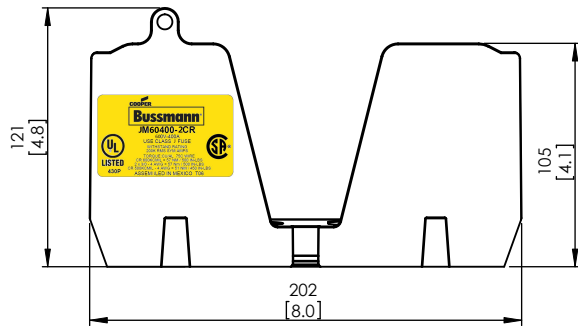
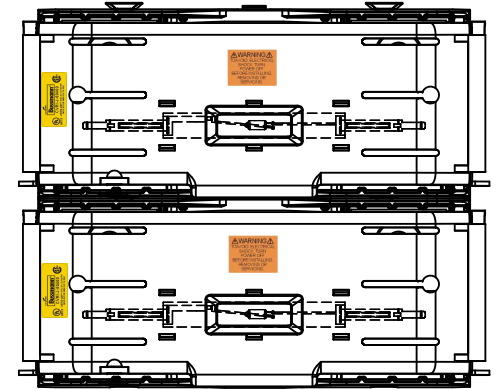
JM60400-2CR



**JM60400-2CR
WITH CVR-J-60400 INSTALLED**



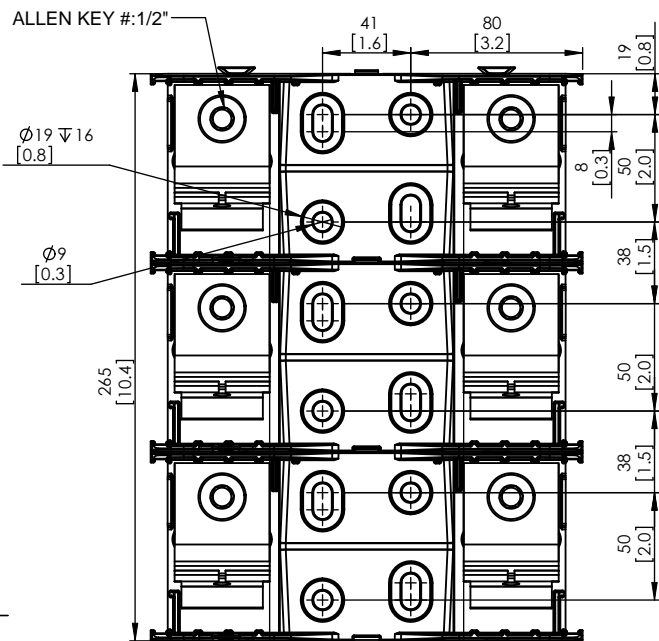
**JM60400-2CR
WITH CVRI-J-60400 INSTALLED**



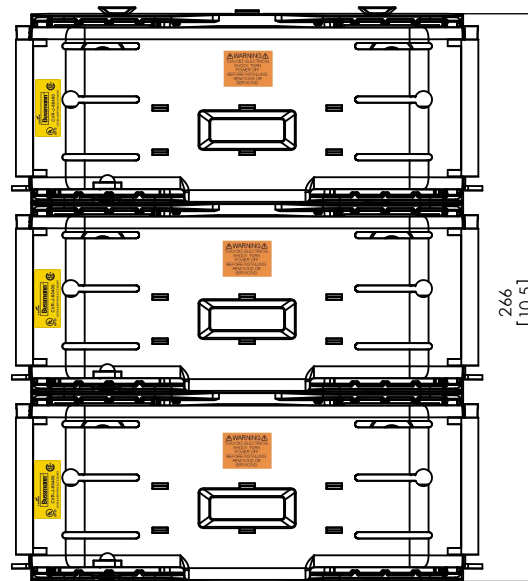
DESIGN UNITS: METRIC (mm)
UNLESS OTHERWISE SPECIFIED
[INCHES]



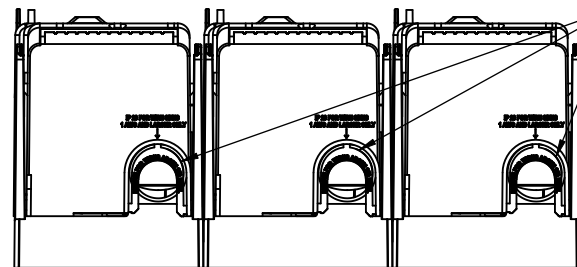
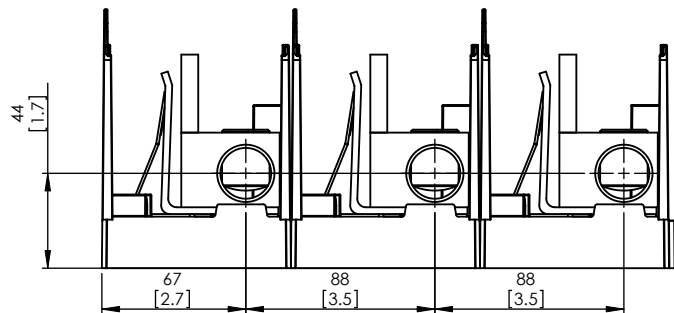
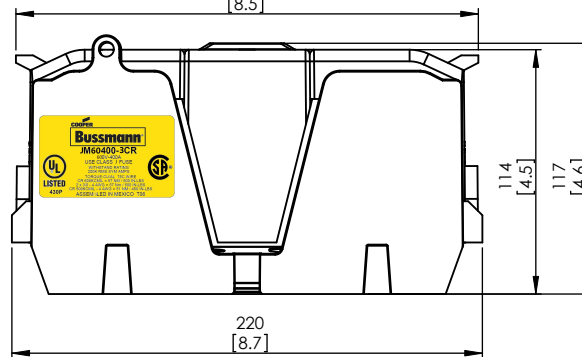
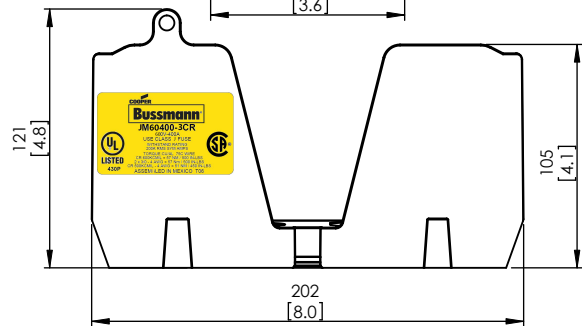
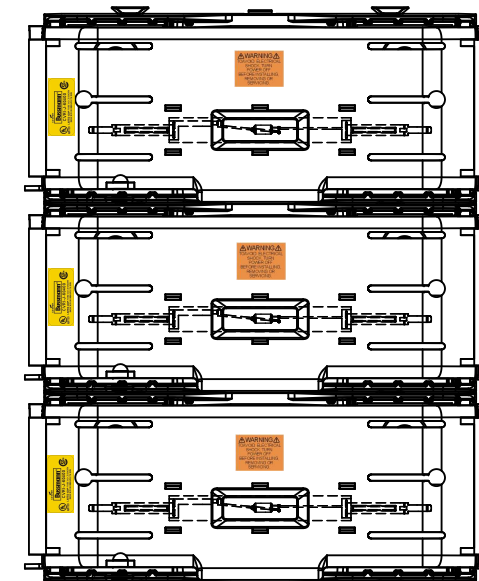
JM60400-3CR



**JM60400-3CR
WITH CVR-J-60400 INSTALLED**



**JM60400-3CR
WITH CVRI-J-60400 INSTALLED**

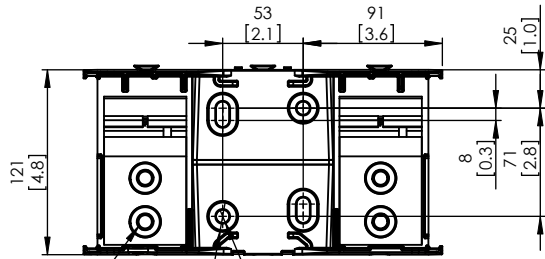


COOPER Bussmann
St. Louis MO 63178

TITLE:
Class J fuse holder-CUST

SCALE: 1:5 SIZE: A3 SHEET: 11 OF 14

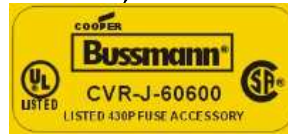
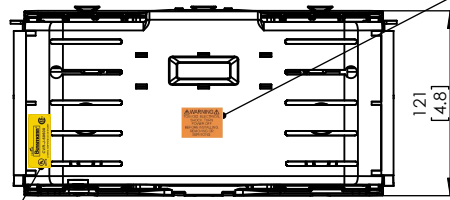
JM60600-1CR



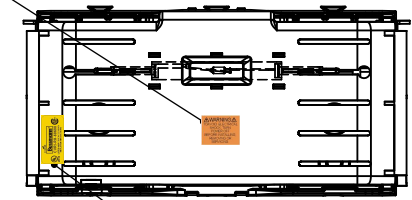
ALLEN KEY #: 3/8" (10.0MM)



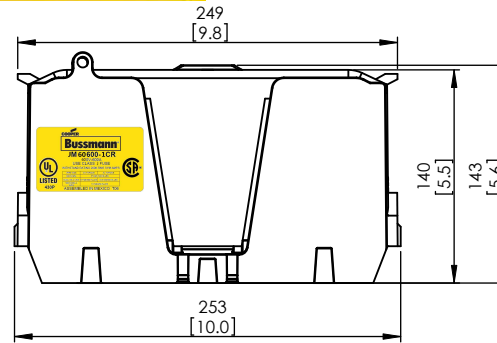
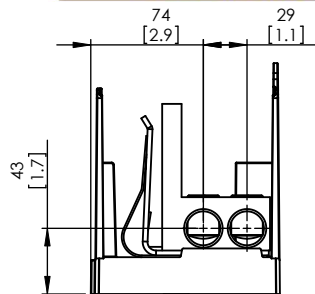
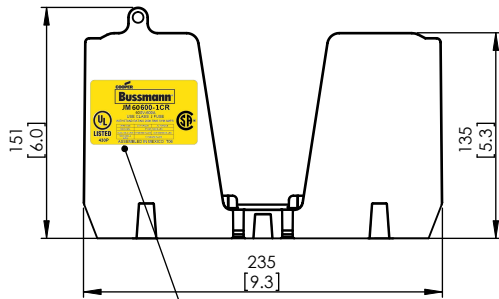
JM60600-1CR WITH CVR-J-60600 INSTALLED



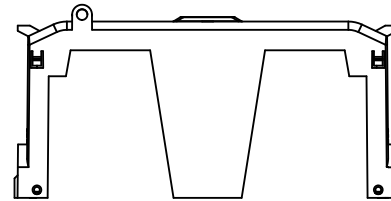
JM60600-1CR WITH CVRI-J-60600 INSTALLED



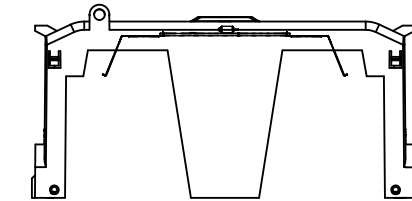
WARNING
TO AVOID ELECTRICAL SHOCK, TURN POWER OFF BEFORE INSTALLING, REMOVING OR SERVICING.



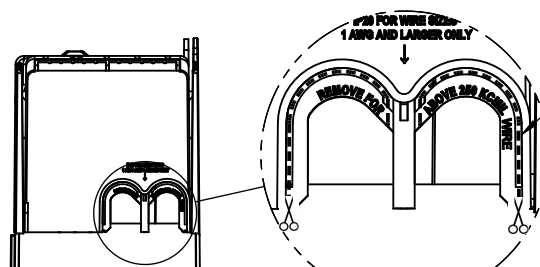
CVR-J-60600



CVRI-J-60600



CUT OPEN ALONG THIS DOTTED LINE FOR WIRES ABOVE 250 KCMIL

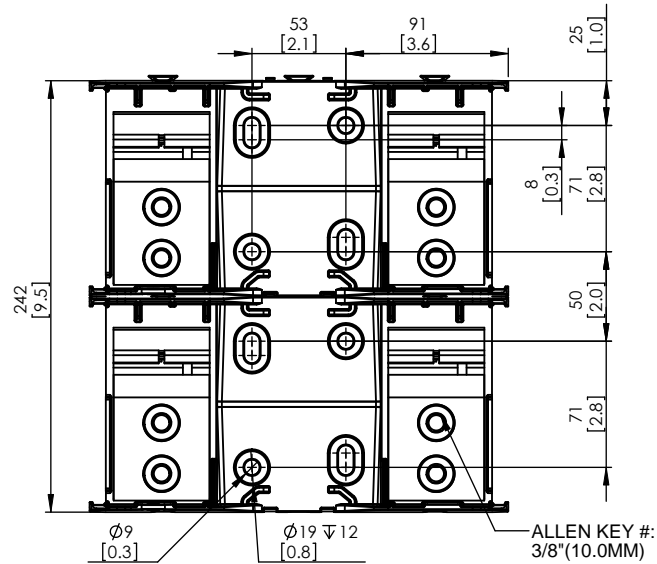


COOPER Bussmann
St. Louis MO 63178

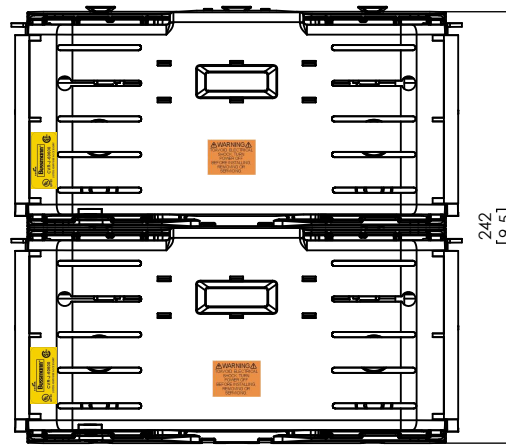
Class J fuse holder-CUST

SCALE: 1:5 SIZE: A3 SHEET: 12 OF 14

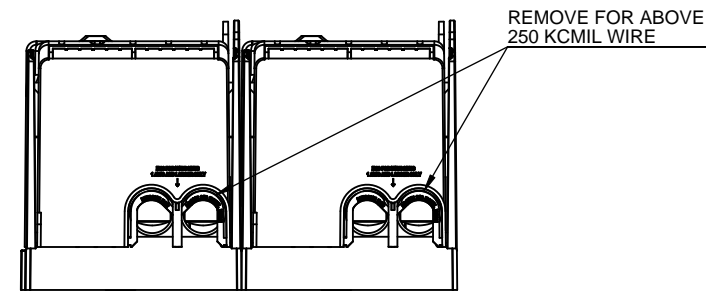
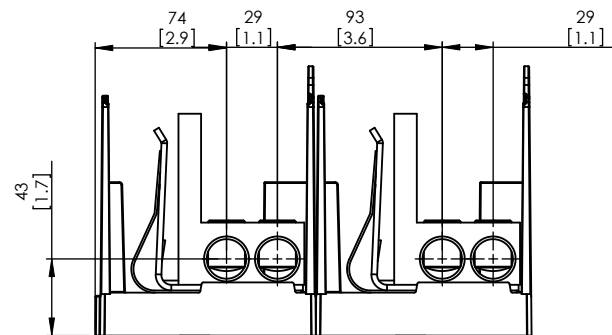
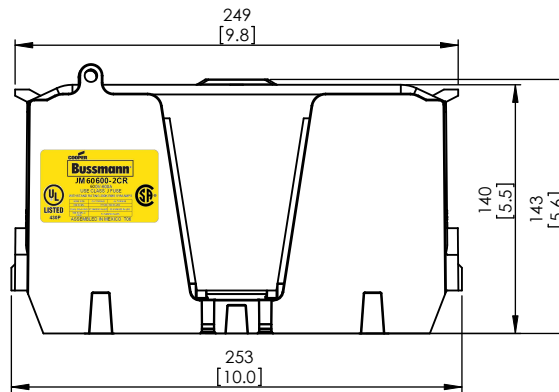
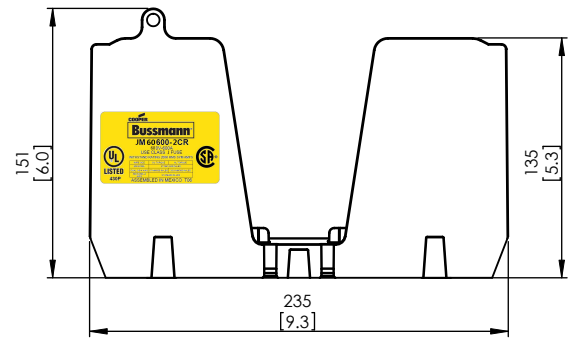
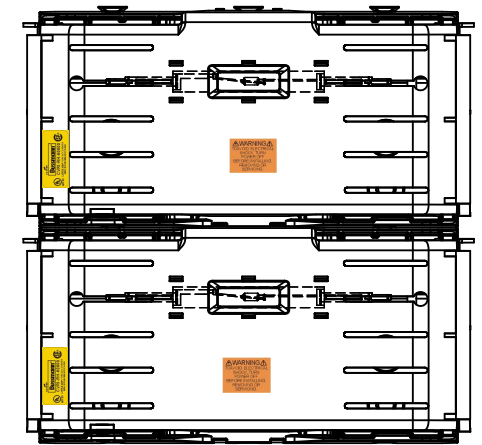
JM60600-2CR



**JM60600-2CR
WITH CVR-J-60600 INSTALLED**



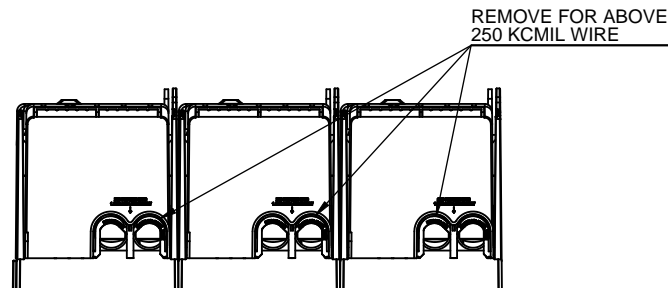
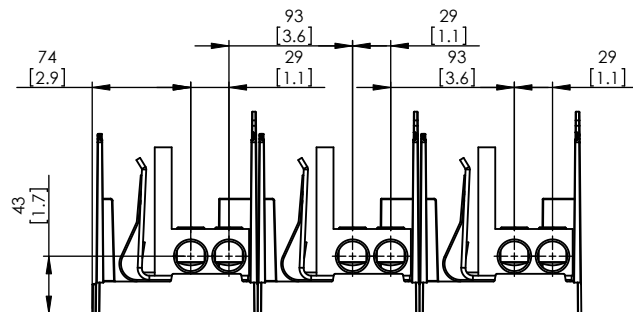
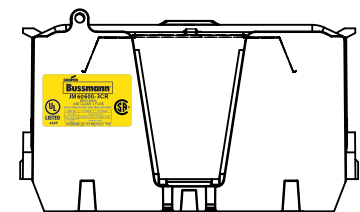
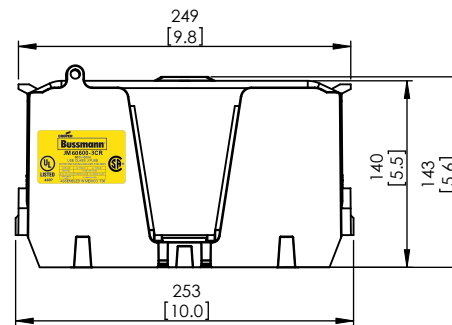
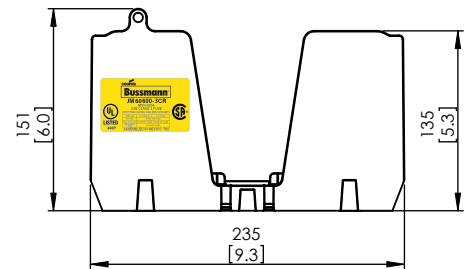
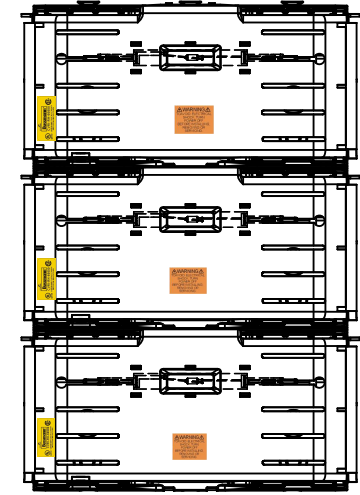
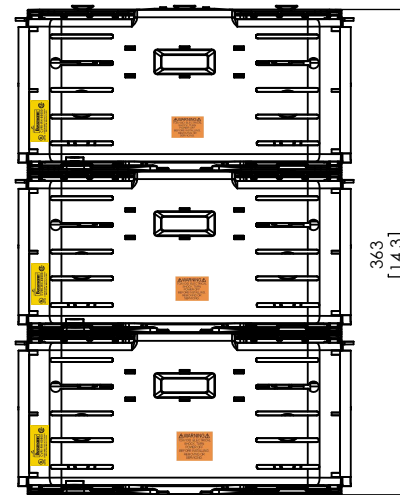
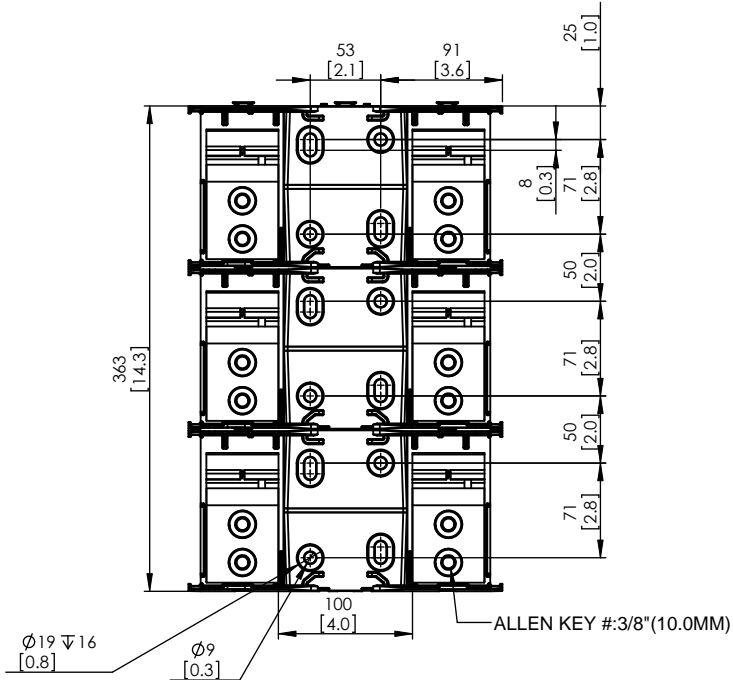
**JM60600-2CR
WITH CVRI-J-60600 INSTALLED**



JM60600-3CR

**JM60600-3CR
WITH CVR-J-60600 INSTALLED**

**JM60600-3CR
WITH CVRI-J-60600 INSTALLED**



COOPER Bussmann
St. Louis MO 63178

TITLE:
Class J fuse holder-CUST

SCALE: 1:5 SIZE: A3 SHEET: 14 OF 14