

## Class J Fuseblocks(600V) Catalog Data

| Catalog Number | Covers      |                | Voltage | Current | Number of Poles | Label       |
|----------------|-------------|----------------|---------|---------|-----------------|-------------|
|                | Class J     | w/o Indication |         |         |                 |             |
| JM60100-1CR    | CVR-J-60100 | CVRI-J-60100   | 600     | 100     | 1               | JM60100-1CR |
| JM60100-2CR    |             |                |         |         | 2               | JM60100-2CR |
| JM60100-3CR    |             |                |         |         | 3               | JM60100-3CR |
| JM60200-1CR    | CVR-J-60200 | CVRI-J-60200   |         | 200     | 1               | JM60200-1CR |
| JM60200-2CR    |             |                |         |         | 2               | JM60200-2CR |
| JM60200-3CR    |             |                |         |         | 3               | JM60200-3CR |
| JM60400-1CR    | CVR-J-60400 | CVRI-J-60400   |         | 400     | 1               | JM60400-1CR |
| JM60400-2CR    |             |                |         |         | 2               | JM60400-2CR |
| JM60400-3CR    |             |                |         |         | 3               | JM60400-3CR |
| JM60600-1CR    | CVR-J-60600 | CVRI-J-60600   | 600     | 1       | JM60600-1CR     |             |
| JM60600-2CR    |             |                |         | 2       | JM60600-2CR     |             |
| JM60600-3CR    |             |                |         | 3       | JM60600-3CR     |             |

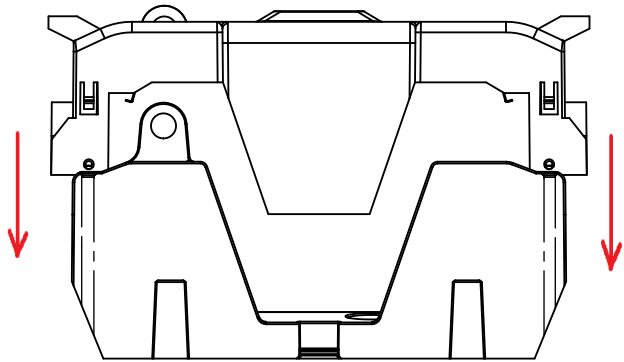
**COOPER Bussmann**  
St. Louis MO 63178

TITLE:  
  
**Class J fuse holder-CUST**

SCALE: 1:5      SIZE: A3      SHEET: 1 OF 14

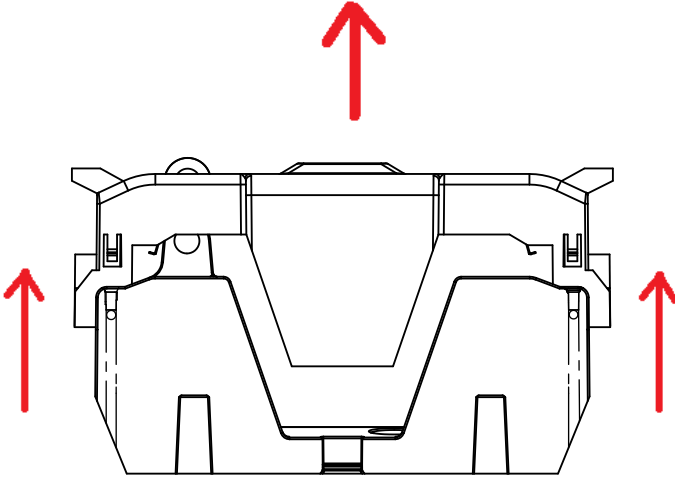
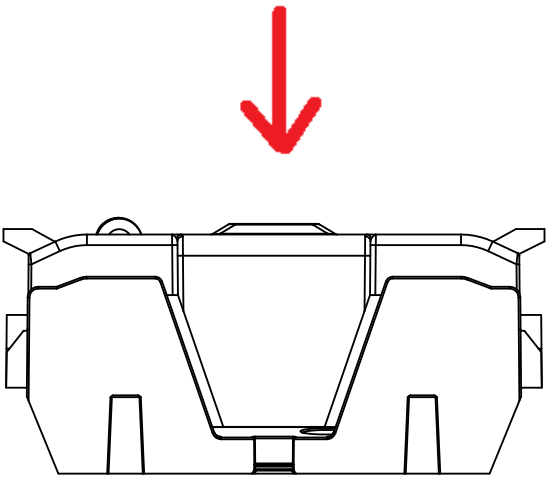
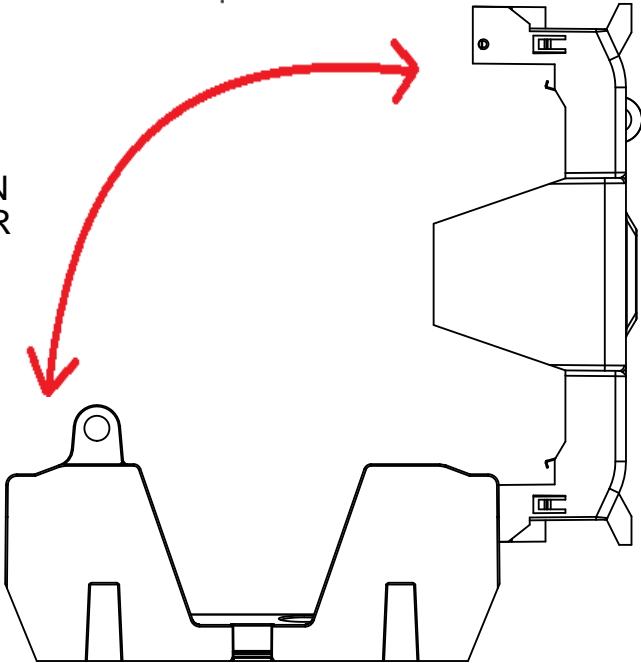
A  
B  
C  
D  
E  
F

1 2 3 4 5 6 7 8



PUSH DOWN

LIFT UP, THEN ROTATE OVER



LIFT UP

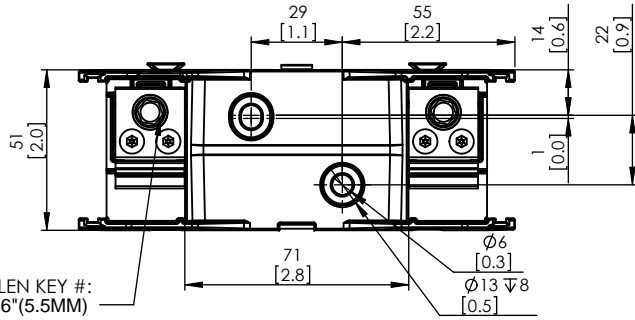
**COOPER Bussmann**  
St. Louis MO 63178

TITLE:  
**Class J fuse holder-CUST**

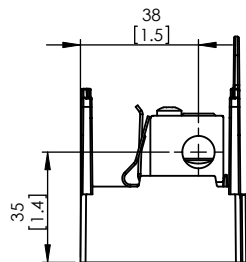
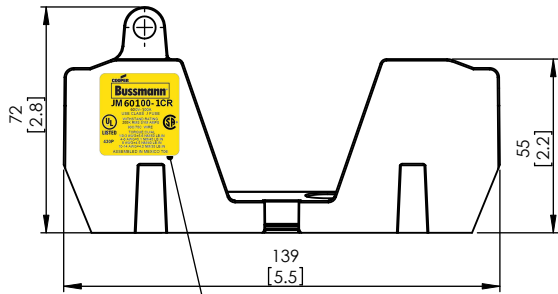
SCALE: 1:2 SIZE: A3 SHEET: 2 OF 14

1 2 3 4 5 6 7 8

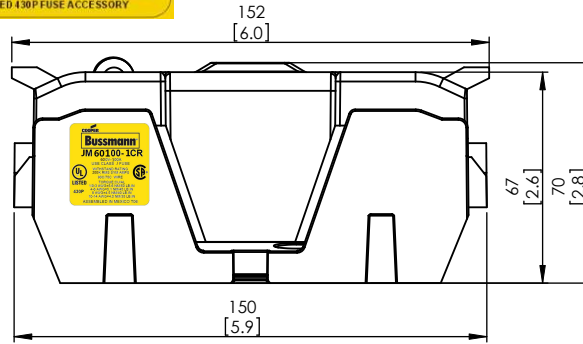
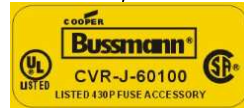
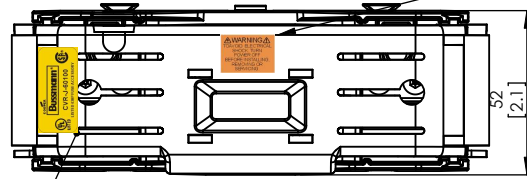
**JM60100-1CR**



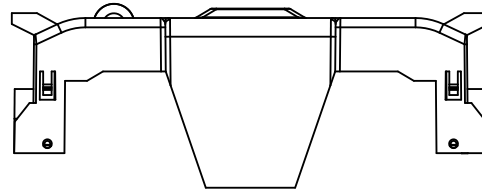
ALLEN KEY #: 3/16" (5.5MM)



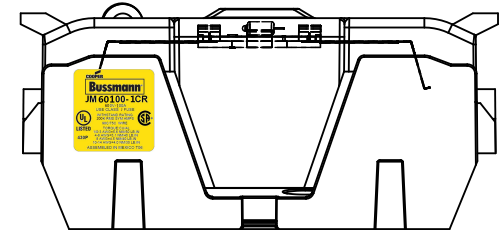
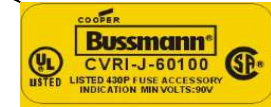
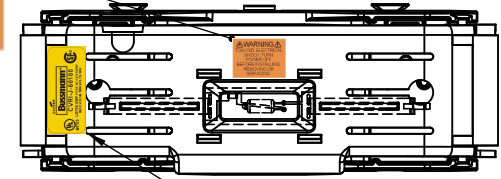
**JM60100-1CR WITH CVR-J-60100 INSTALLED**



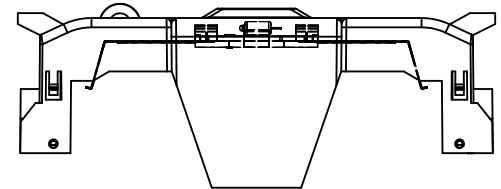
**CVR-J-60100**



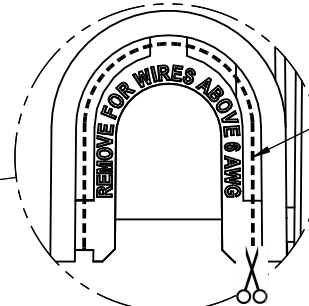
**JM60100-1CR WITH CVRI-J-60100 INSTALLED**



**CVRI-J-60100**



**WARNING**  
 TO AVOID ELECTRICAL SHOCK, TURN POWER OFF BEFORE INSTALLING, REMOVING OR SERVICING.



**COOPER Bussmann**  
 St. Louis MO 63178

**Class J fuse holder-CUST**

SCALE: 1:1 SIZE: A3 SHEET: 3 OF 14

DESIGN UNITS: METRIC (mm)  
UNLESS OTHERWISE SPECIFIED  
[INCHES]

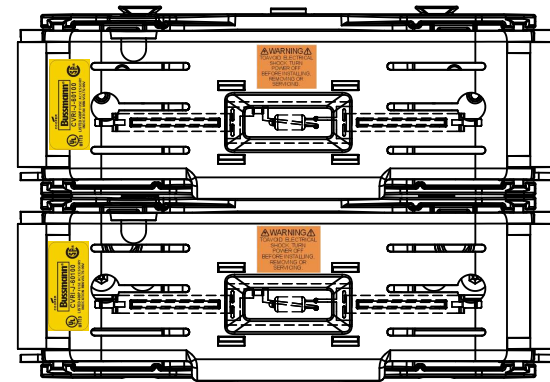
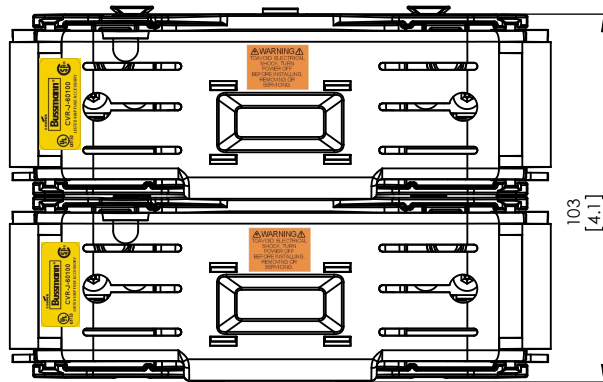
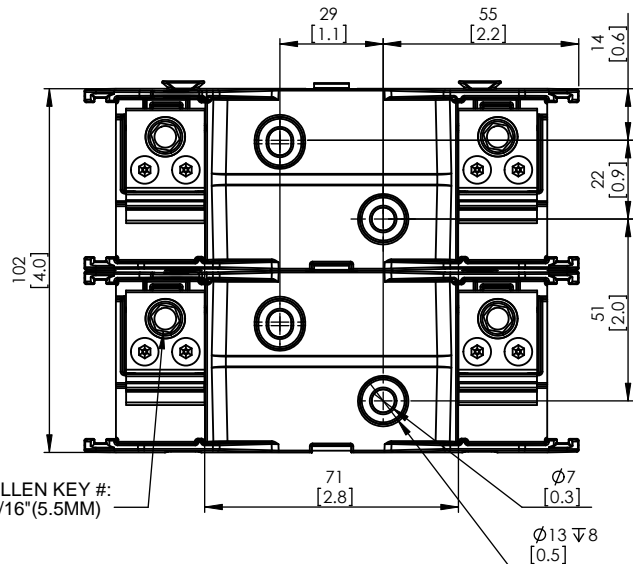


THIRD ANGLE PROJECTION

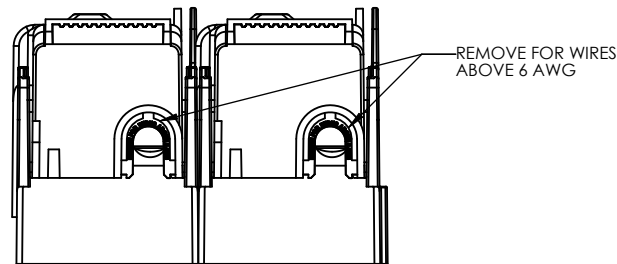
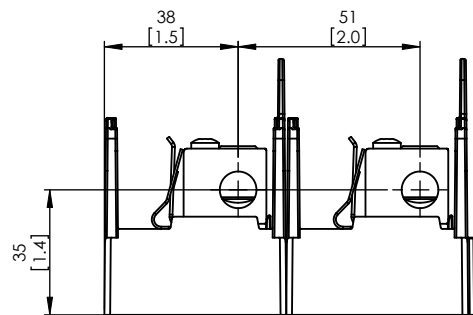
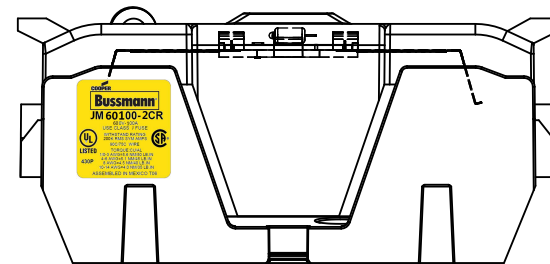
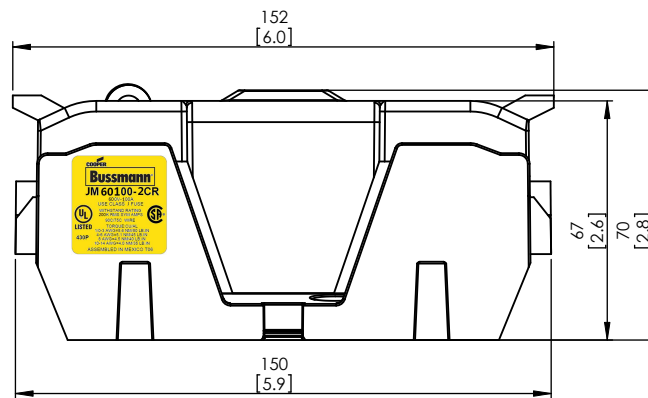
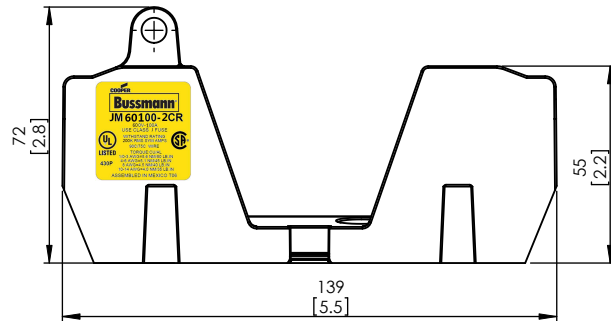
**JM60100-2CR**

**JM60100-2CR  
WITH CVR-J-60100 INSTALLED**

**JM60100-2CR  
WITH CVRI-J-60100 INSTALLED**



ALLEN KEY #:  
3/16" (5.5MM)



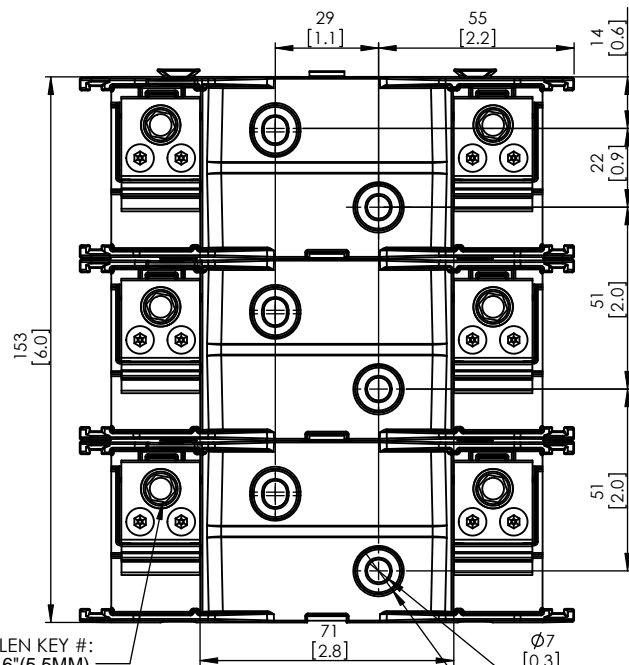
**COOPER Bussmann**  
St. Louis MO 63178

TITLE:  
**Class J fuse holder-CUST**

SCALE: 1:1      SIZE: A3      SHEET: 4 OF 14



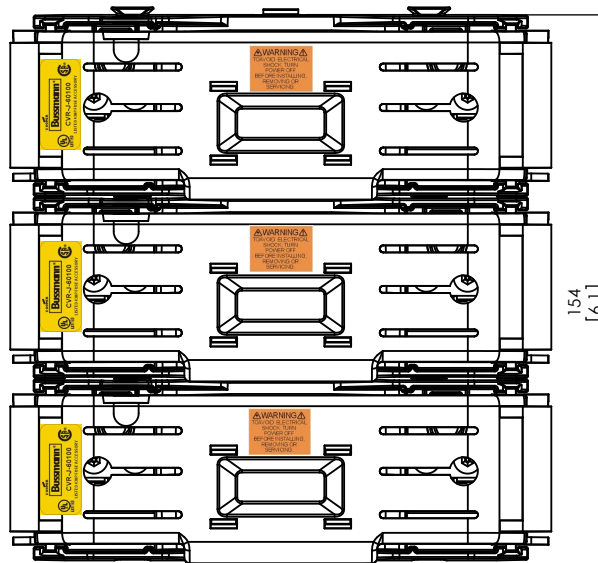
**JM60100-3CR**



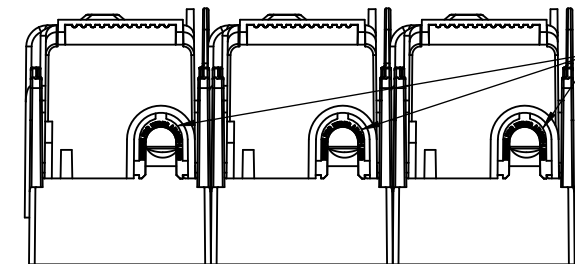
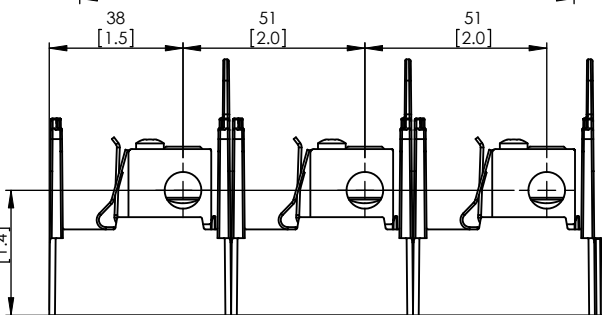
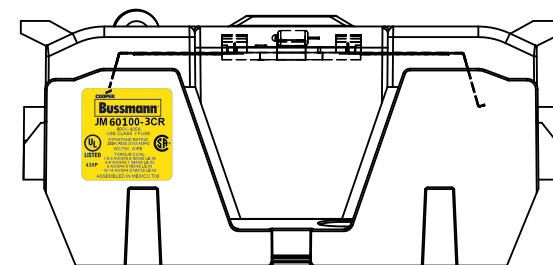
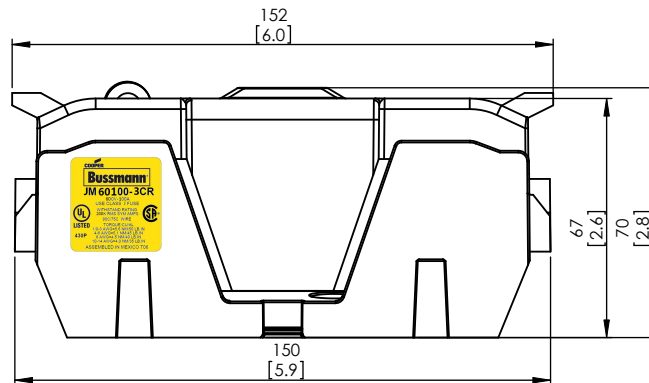
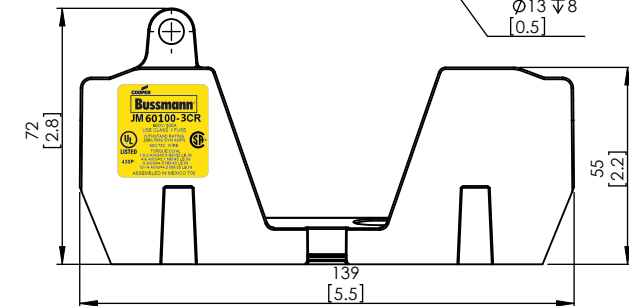
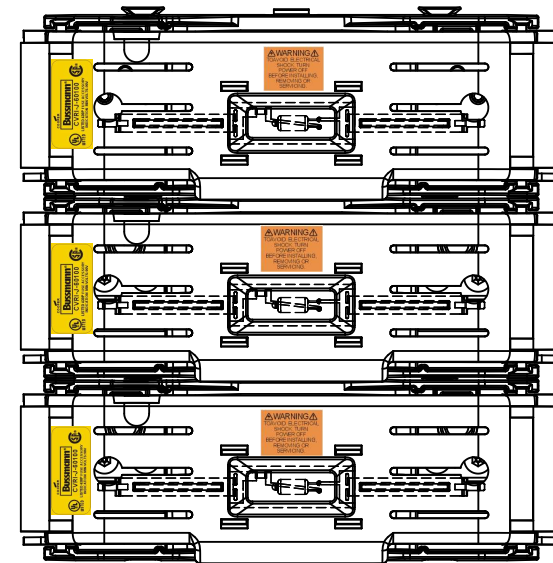
ALLEN KEY #:  
3/16" (5.5MM)

Ø7 [0.3]  
Ø13  $\nabla$ 8 [0.5]

**JM60100-3CR  
WITH CVR-J-60100 INSTALLED**



**JM60100-3CR  
WITH CVRI-J-60100 INSTALLED**



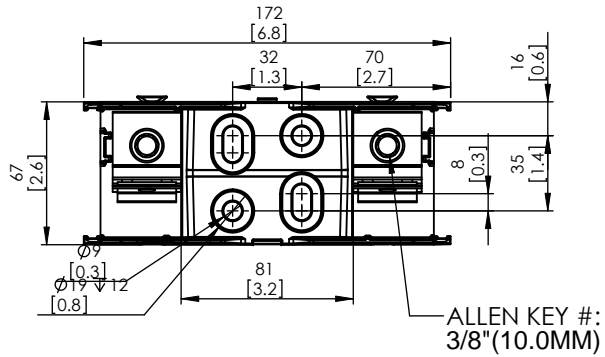
REMOVE FOR WIRES  
ABOVE 6 AWG

**COOPER Bussmann**  
St. Louis MO 63178

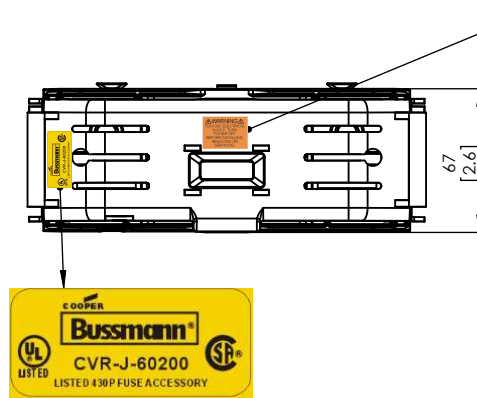
TITLE:  
**Class J fuse holder-CUST**

SCALE: 1:1 SIZE: A3 SHEET: 5 OF 14

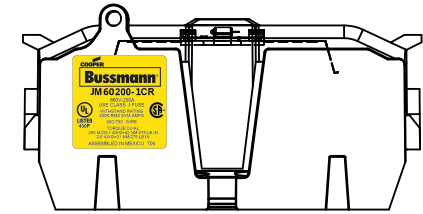
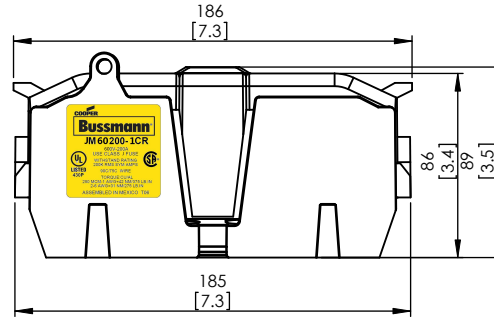
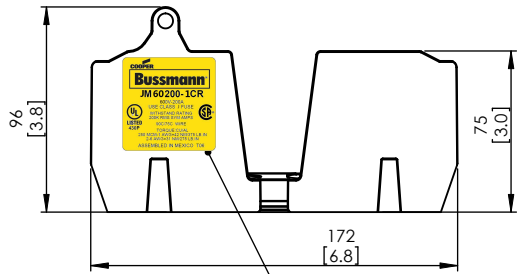
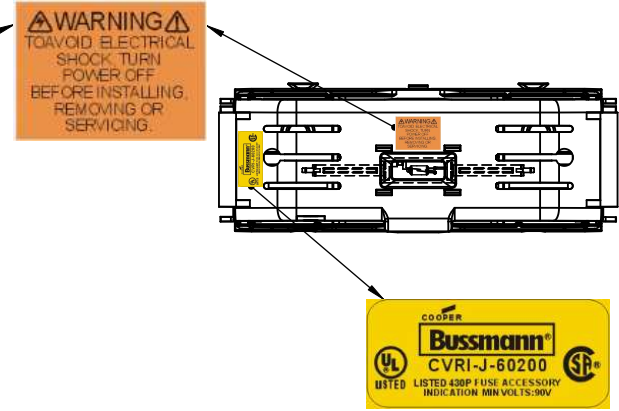
**JM60200-1CR**



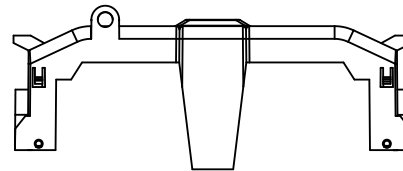
**JM60200-1CR WITH CVR-J-60200 INSTALLED**



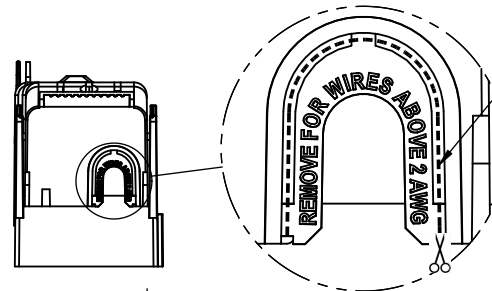
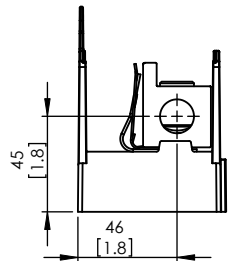
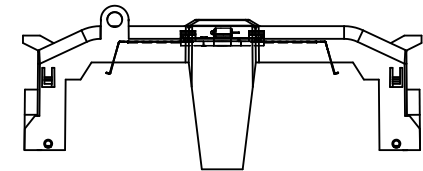
**JM60200-1CR WITH CVRI-J-60200 INSTALLED**



**CVR-J-60200**



**CVRI-J-60200**



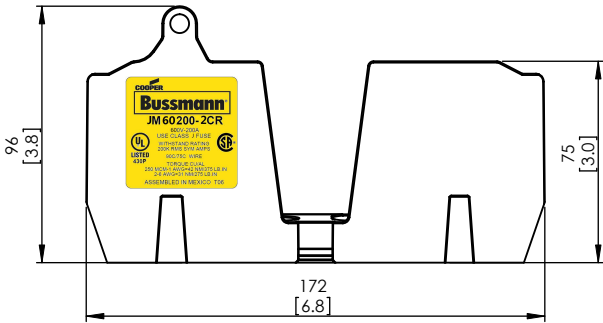
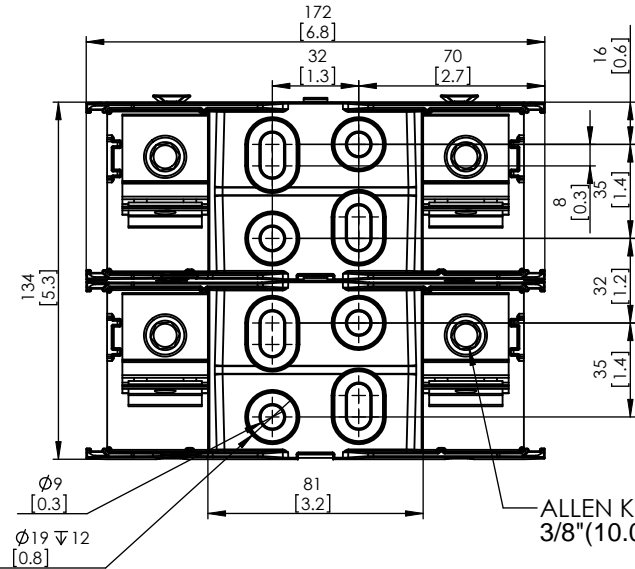
**COOPER Bussmann**  
St. Louis MO 63178

**Class J fuse holder-CUST**

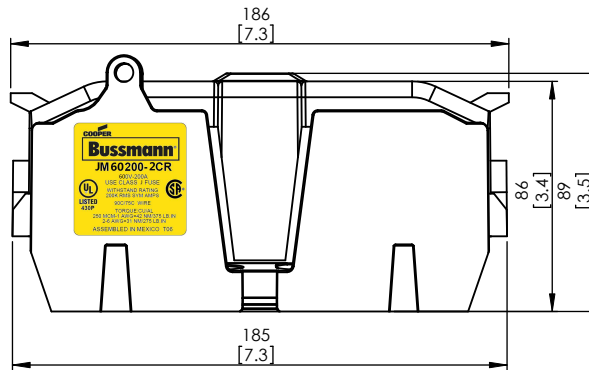
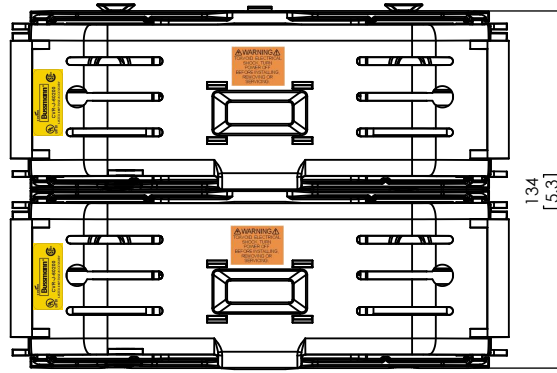
SCALE: 1:2 SIZE: A3 SHEET: 6 OF 14



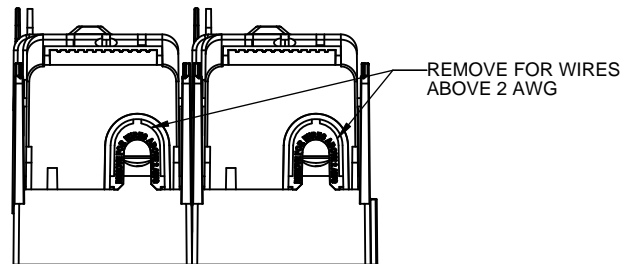
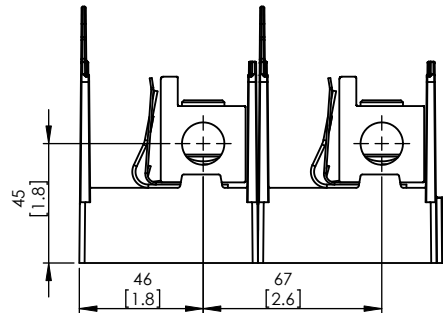
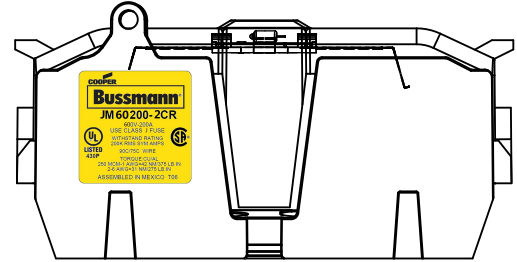
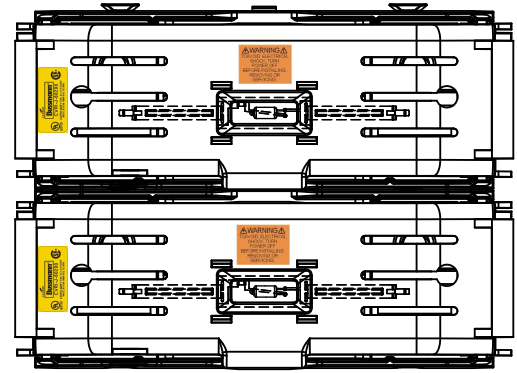
**JM60200-2CR**



**JM60200-2CR WITH CVR-J-60200 INSTALLED**



**JM60200-2CR WITH CVRI-J-60200 INSTALLED**

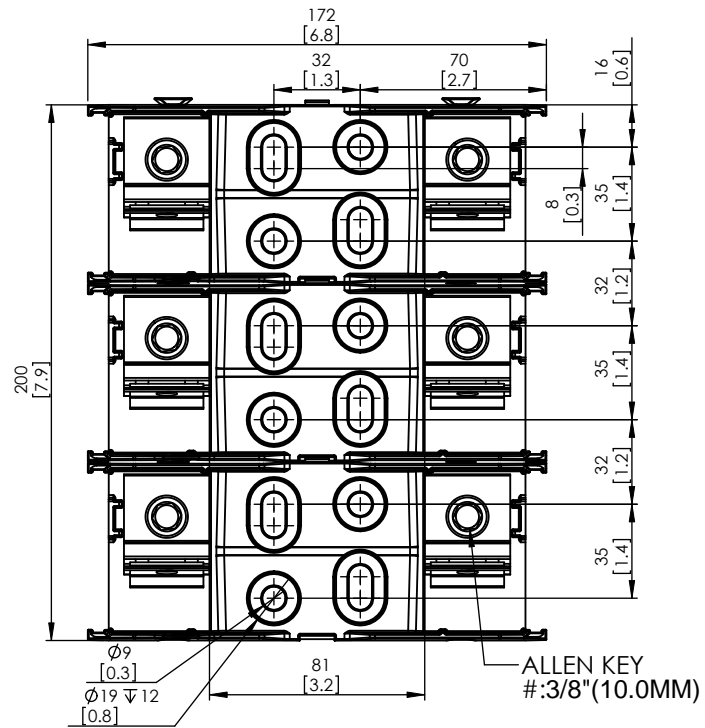


DESIGN UNITS: METRIC (mm)  
UNLESS OTHERWISE SPECIFIED [INCHES]

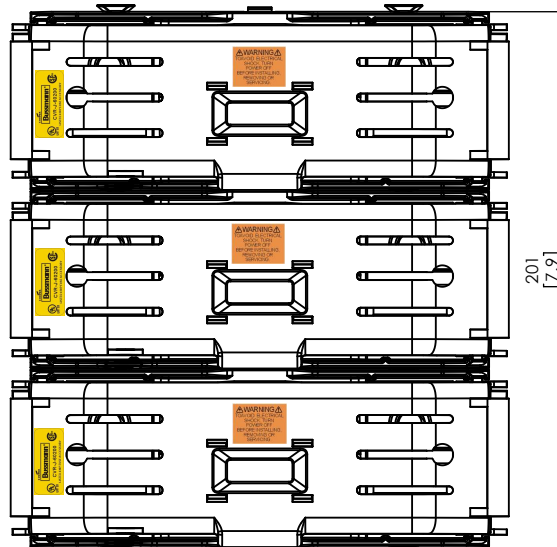


THIRD ANGLE PROJECTION

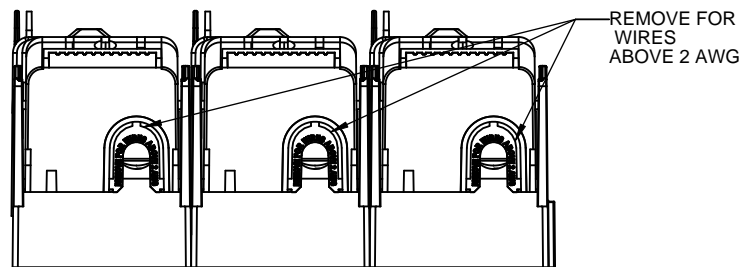
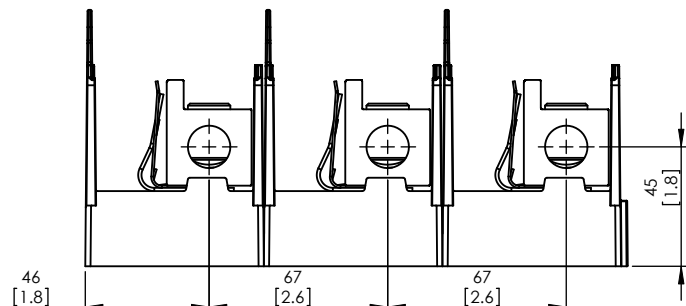
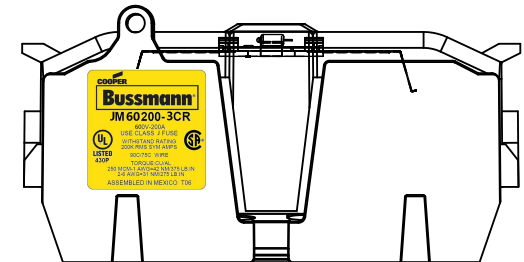
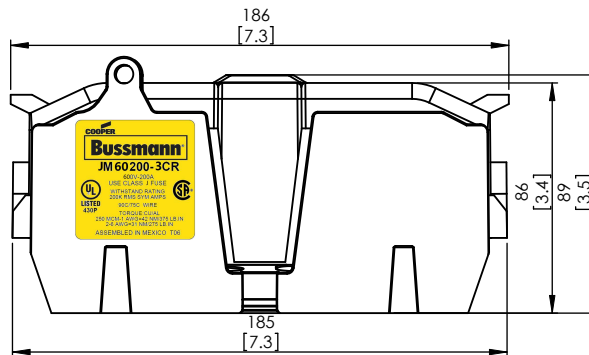
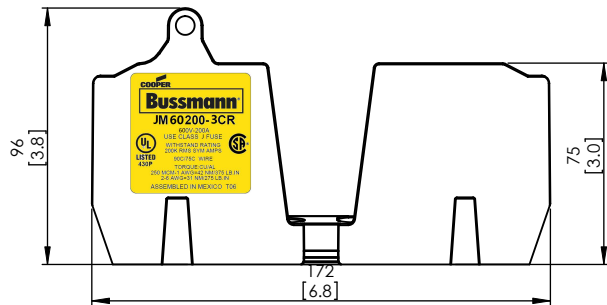
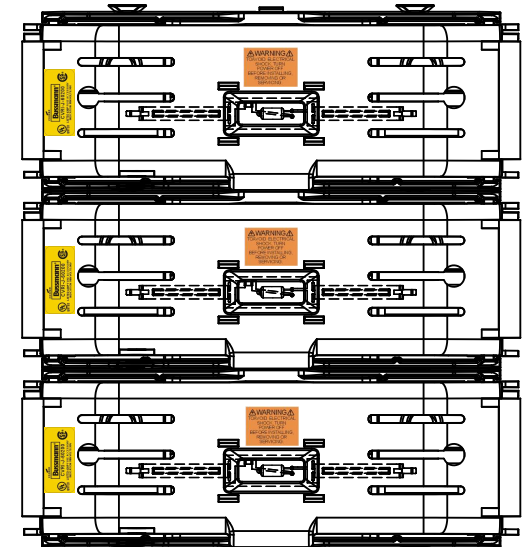
**JM60200-3CR**



**JM60200-3CR  
WITH CVR-J-60200 INSTALLED**



**JM60200-3CR  
WITH CVRI-J-60200 INSTALLED**



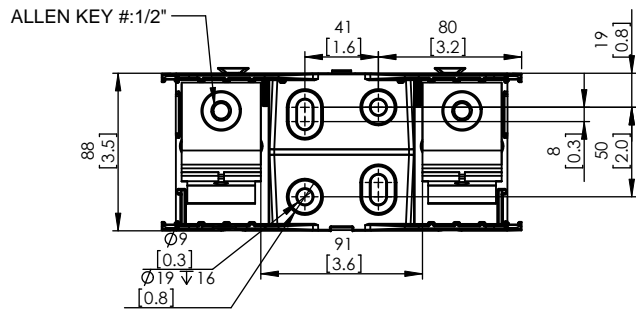
**COOPER Bussmann**  
St. Louis MO 63178

TITLE:  
**Class J fuse holder-CUST**

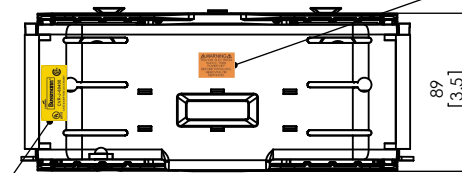
SCALE: 1:2 SIZE: A3 SHEET: 8 OF 14



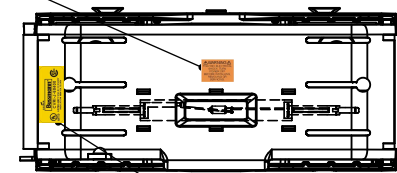
### JM60400-1CR



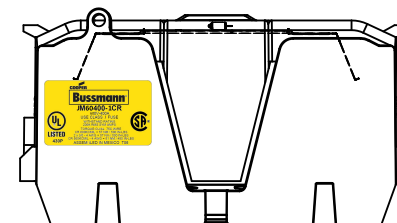
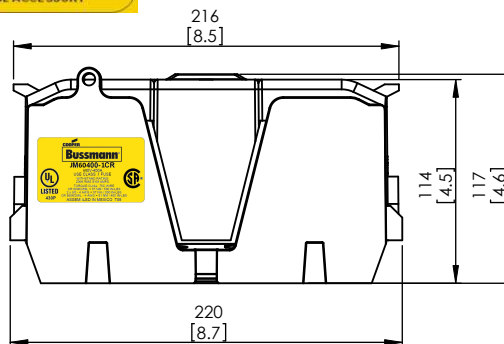
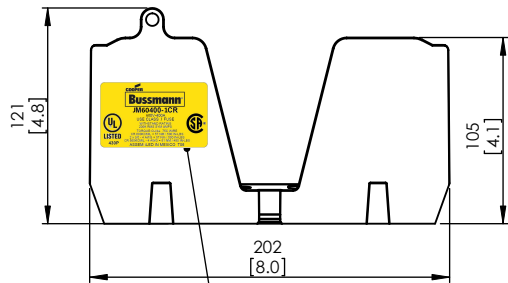
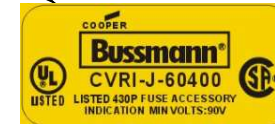
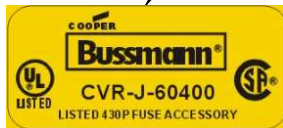
### JM60400-1CR WITH CVR-J-60400 INSTALLED



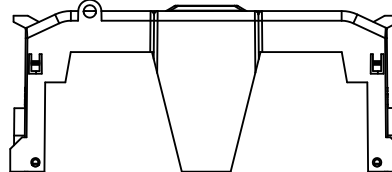
### JM60400-1CR WITH CVRI-J-60400 INSTALLED



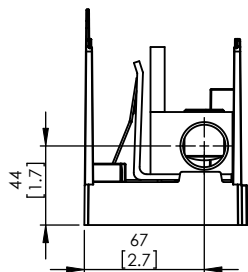
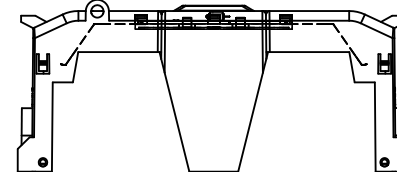
**WARNING**  
TO AVOID ELECTRICAL SHOCK, TURN POWER OFF BEFORE INSTALLING, REMOVING OR SERVICING.



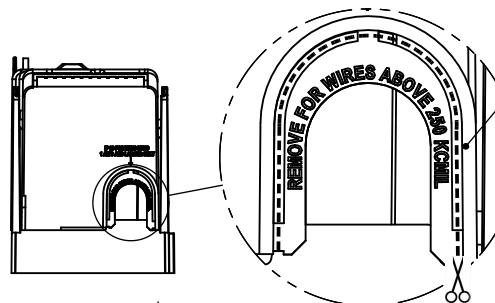
### CVR-J-60400



### CVRI-J-60400



CUT OPEN ALONG THIS DOTTED LINE FOR WIRES ABOVE 250 KCMIL



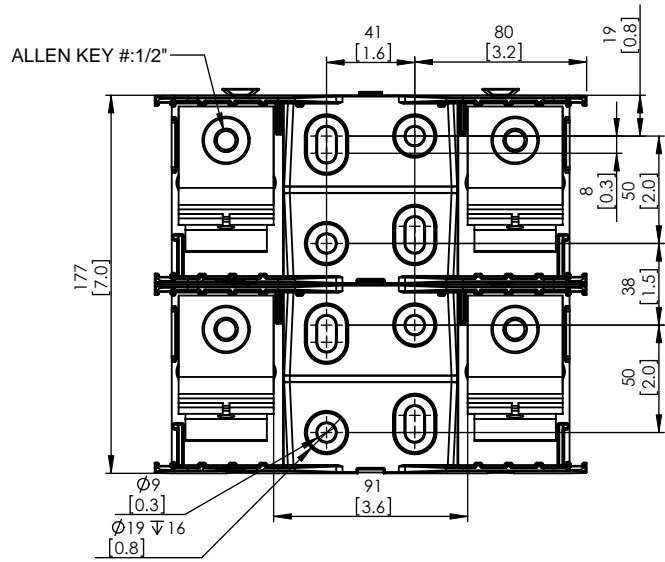
COOPER Bussmann  
St. Louis MO 63178

TITLE:  
**Class J fuse holder-CUST**

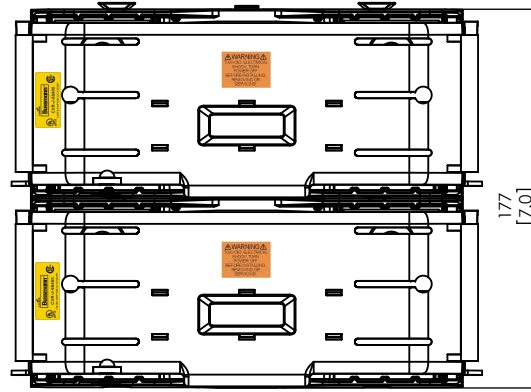
SCALE: 1:5 SIZE: A3 SHEET: 9 OF 14



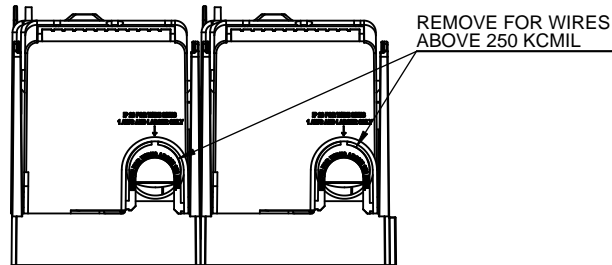
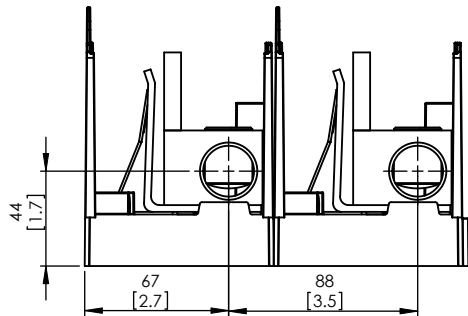
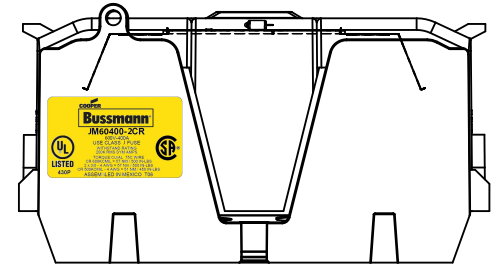
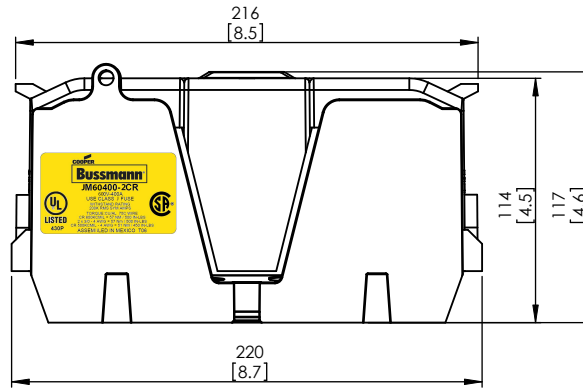
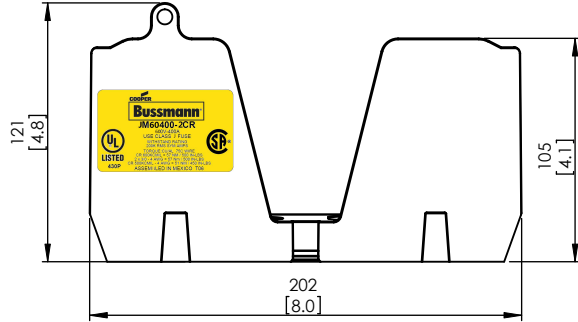
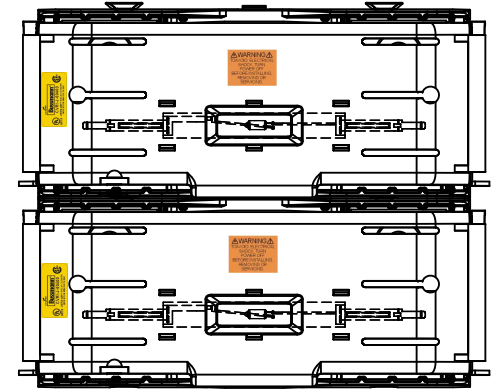
**JM60400-2CR**



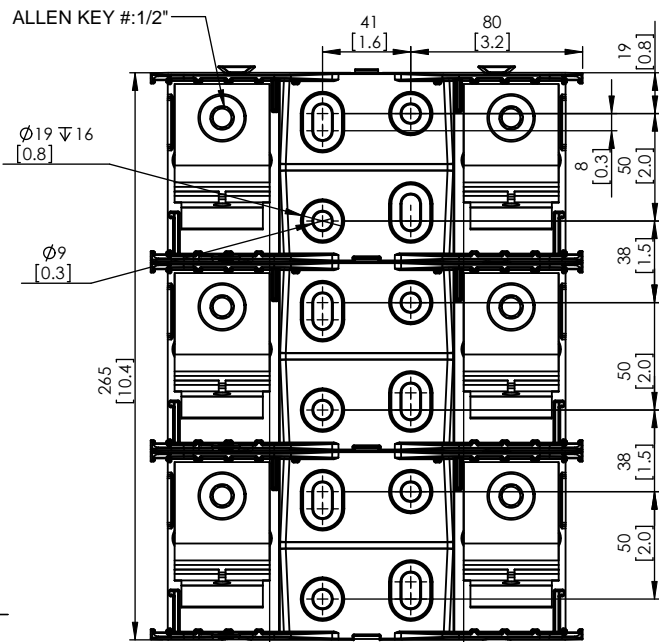
**JM60400-2CR  
WITH CVR-J-60400 INSTALLED**



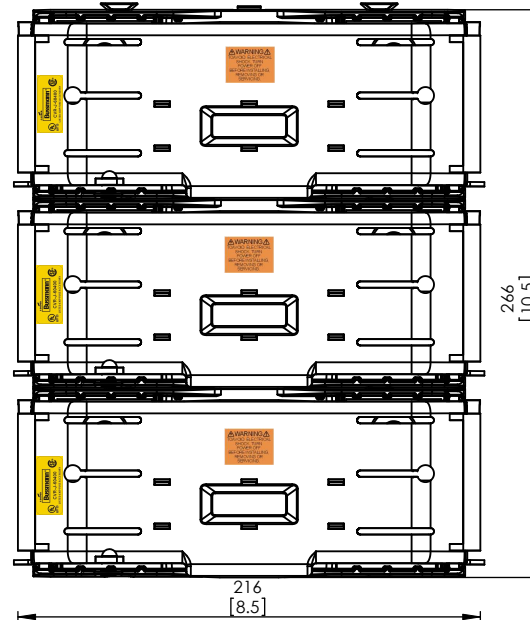
**JM60400-2CR  
WITH CVRI-J-60400 INSTALLED**



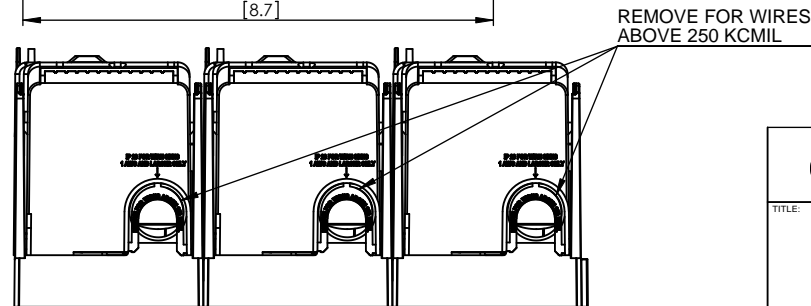
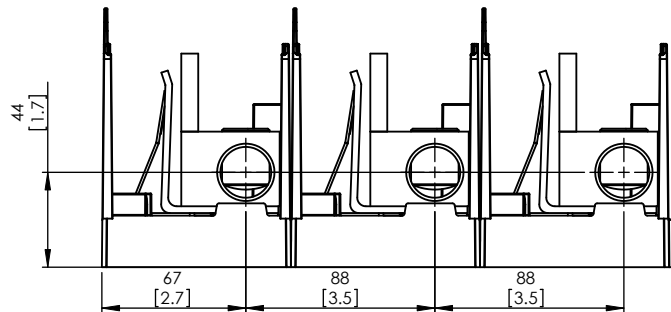
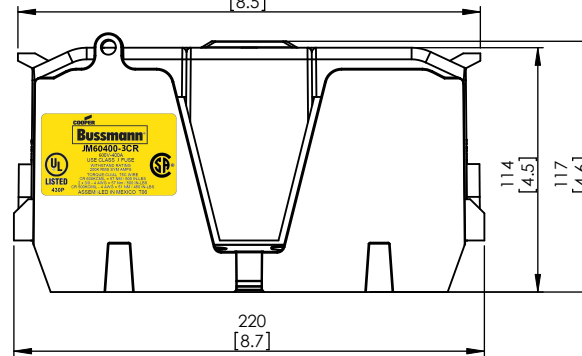
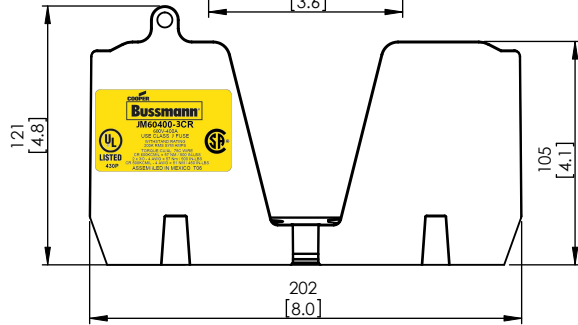
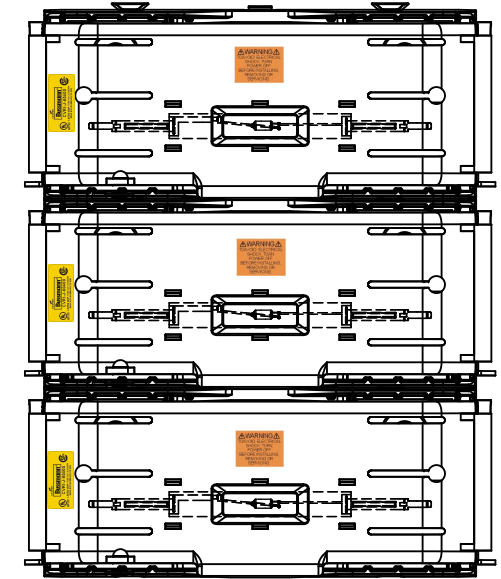
**JM60400-3CR**



**JM60400-3CR  
WITH CVR-J-60400 INSTALLED**



**JM60400-3CR  
WITH CVRI-J-60400 INSTALLED**

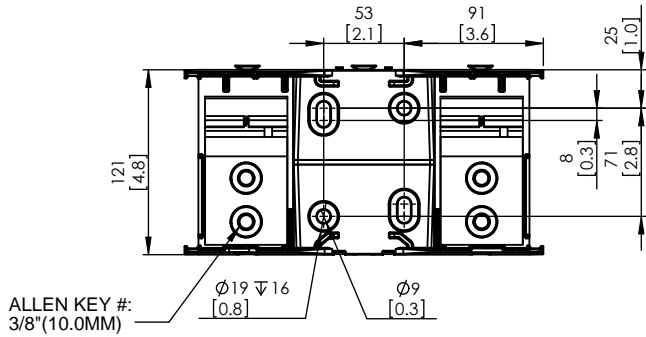


**COOPER Bussmann**  
St. Louis MO 63178

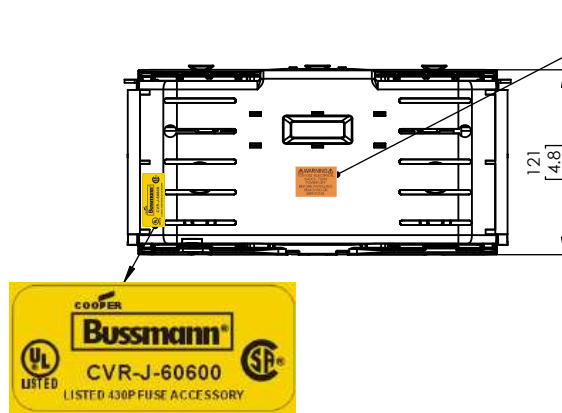
**Class J fuse holder-CUST**

SCALE: 1:5 SIZE: A3 SHEET: 11 OF 14

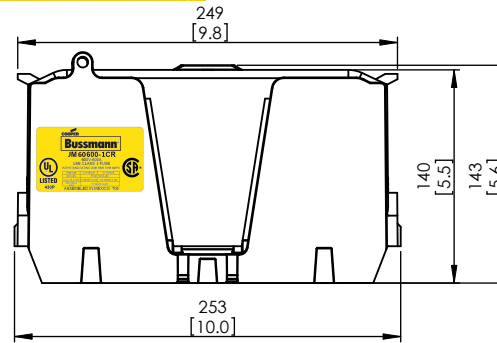
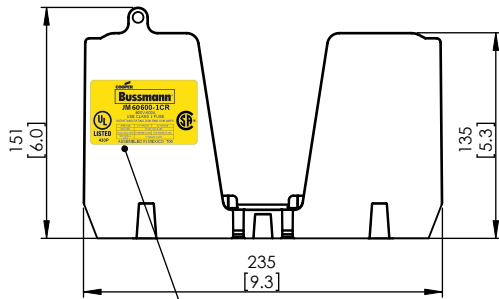
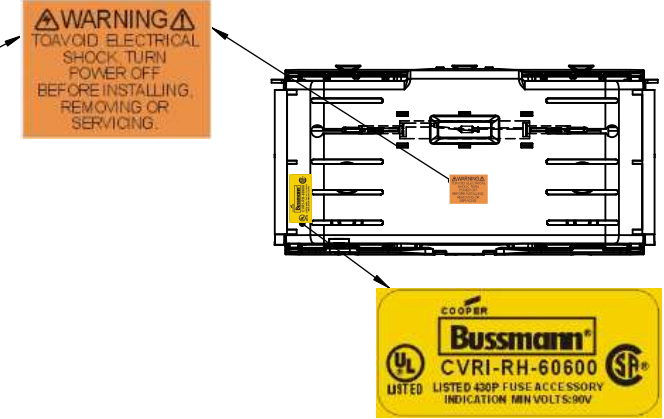
### JM60600-1CR



### JM60600-1CR WITH CVR-J-60600 INSTALLED

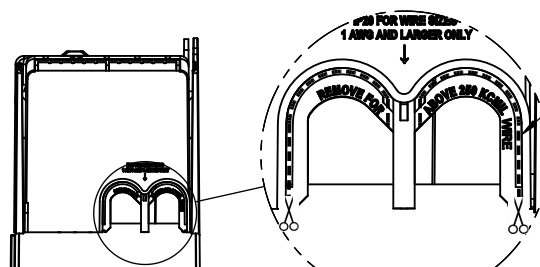
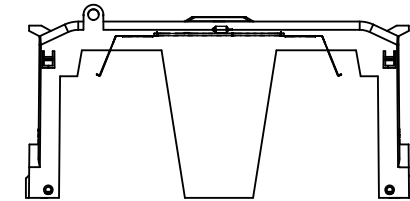
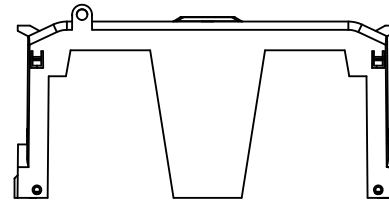
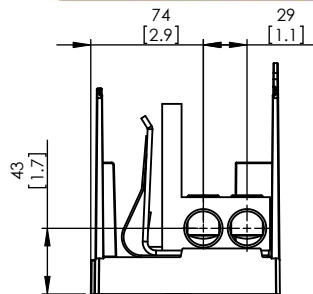


### JM60600-1CR WITH CVRI-J-60600 INSTALLED



CVR-J-60600

CVRI-J-60600



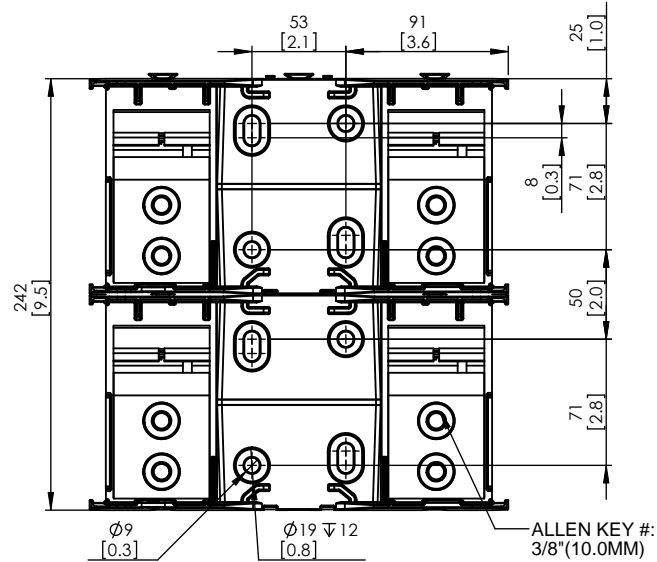
CUT OPEN ALONG THIS DOTTED LINE FOR WIRES ABOVE 250 KCMIL

**COOPER Bussmann**  
 St. Louis MO 63178

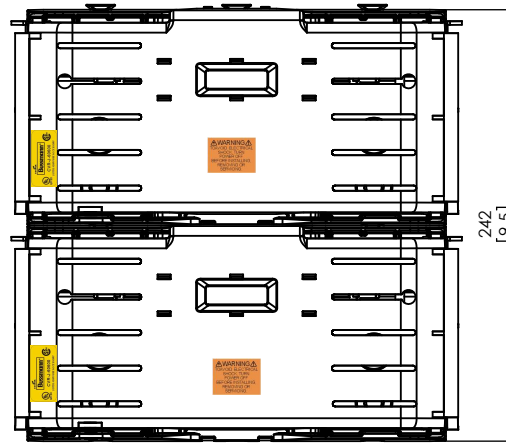
## Class J fuse holder-CUST

SCALE: 1:5 SIZE: A3 SHEET: 12 OF 14

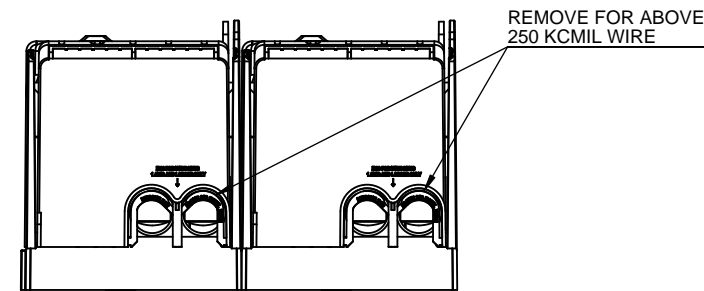
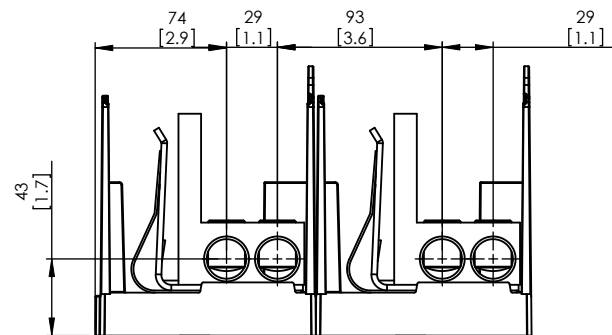
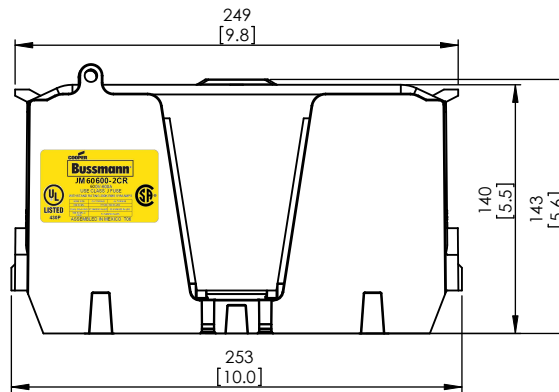
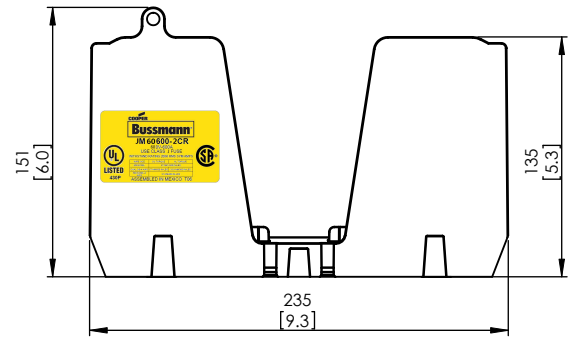
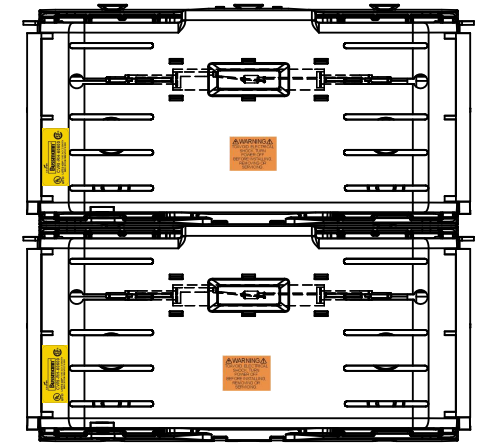
**JM60600-2CR**



**JM60600-2CR  
WITH CVR-J-60600 INSTALLED**



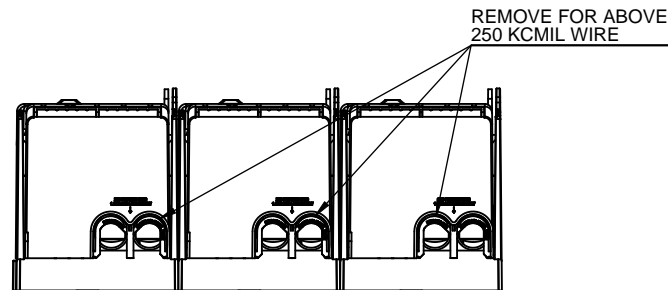
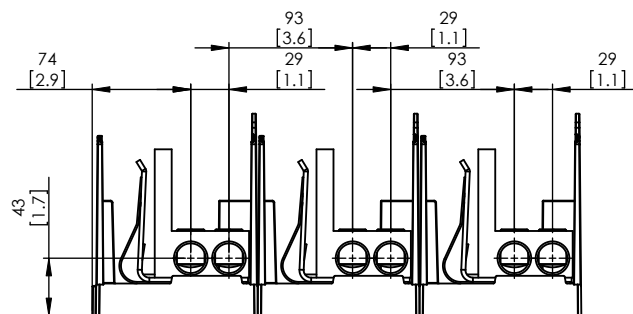
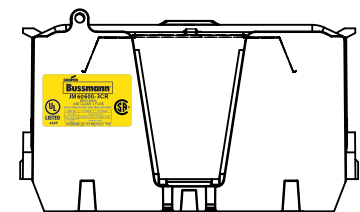
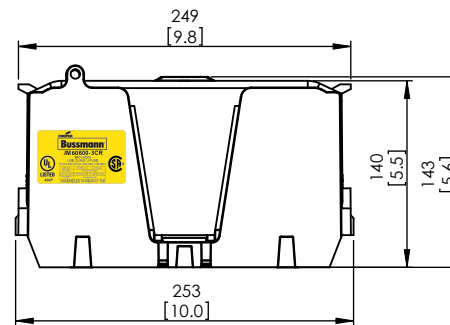
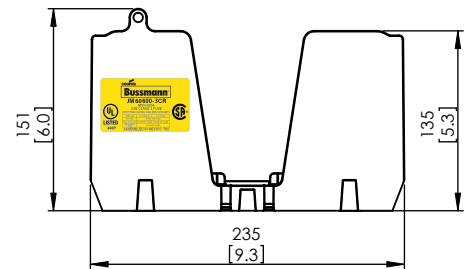
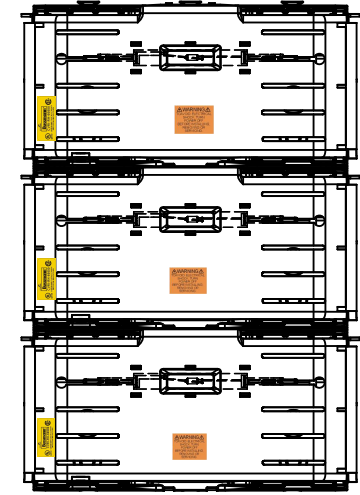
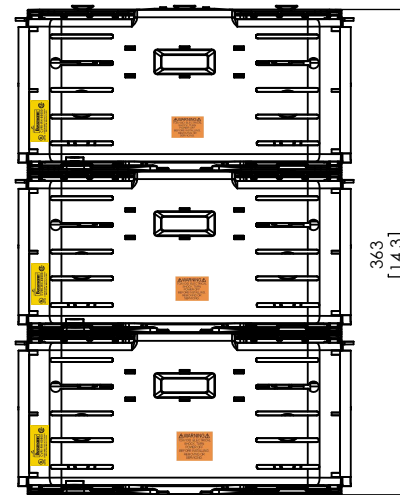
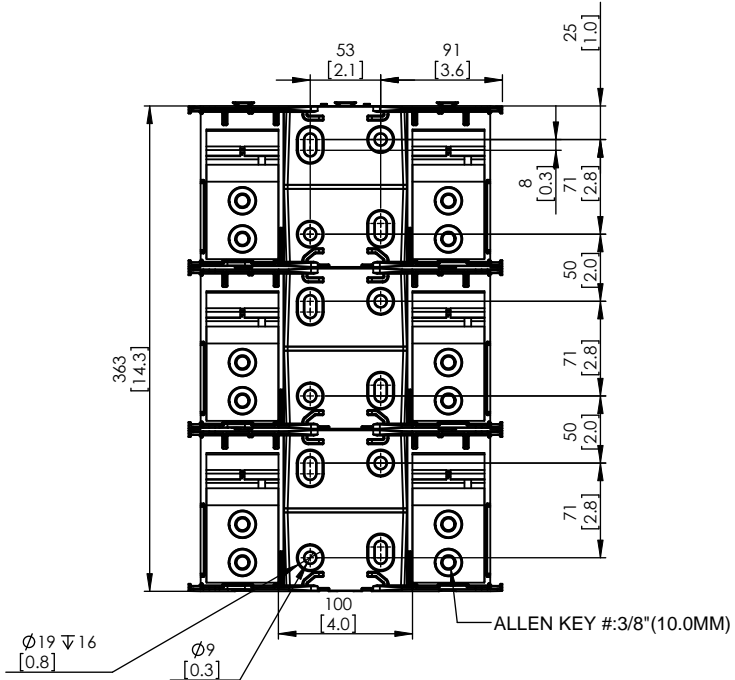
**JM60600-2CR  
WITH CVRI-J-60600 INSTALLED**



**JM60600-3CR**

**JM60600-3CR  
WITH CVR-J-60600 INSTALLED**

**JM60600-3CR  
WITH CVRI-J-60600 INSTALLED**



**COOPER Bussmann**  
St. Louis MO 63178

TITLE:  
**Class J fuse holder-CUST**

SCALE: 1:5      SIZE: A3      SHEET: 14 OF 14

www.Bussmann.com