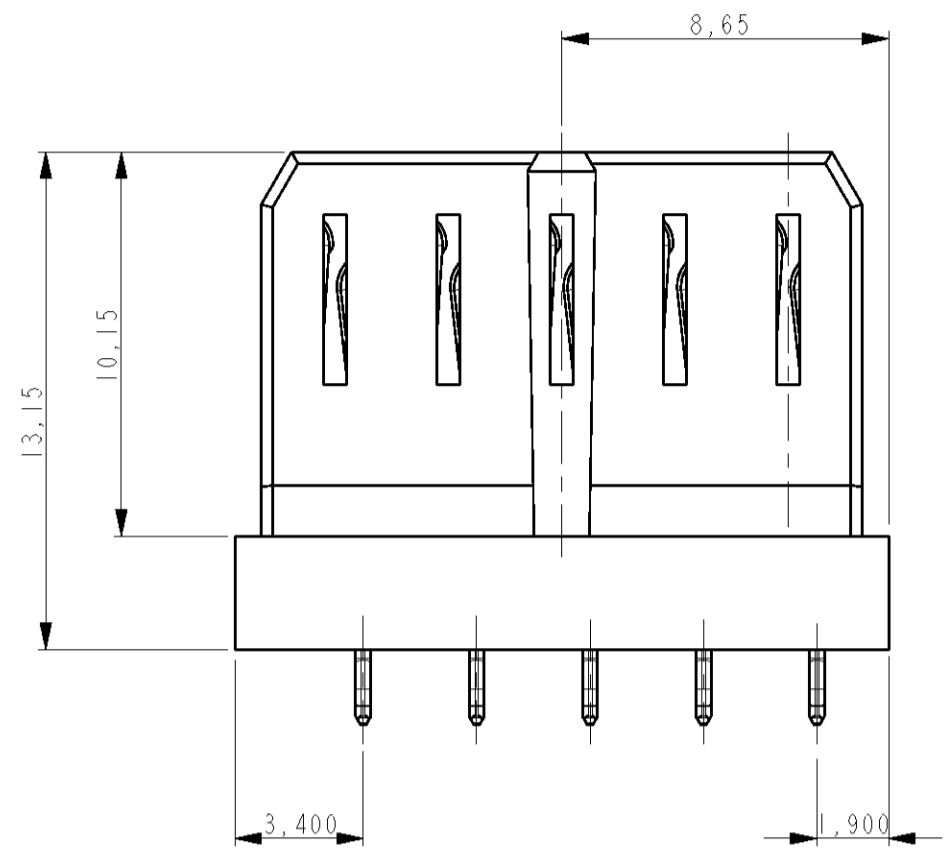
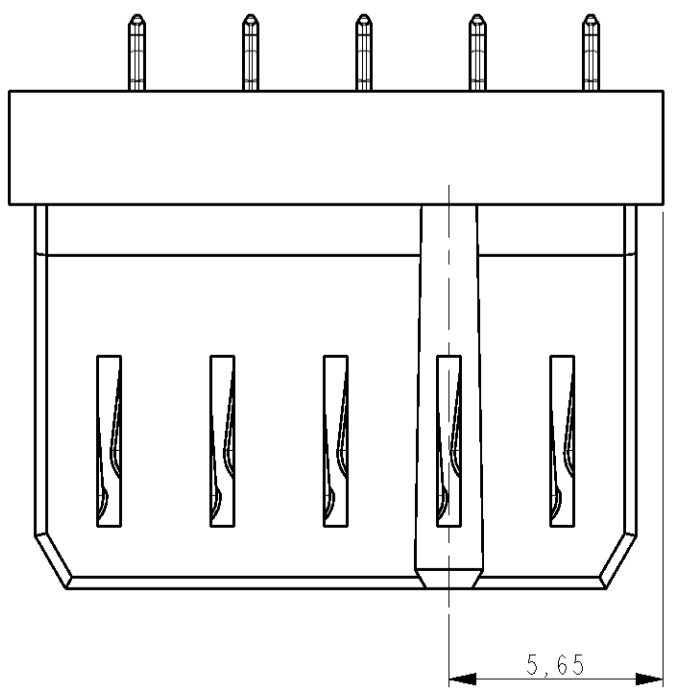
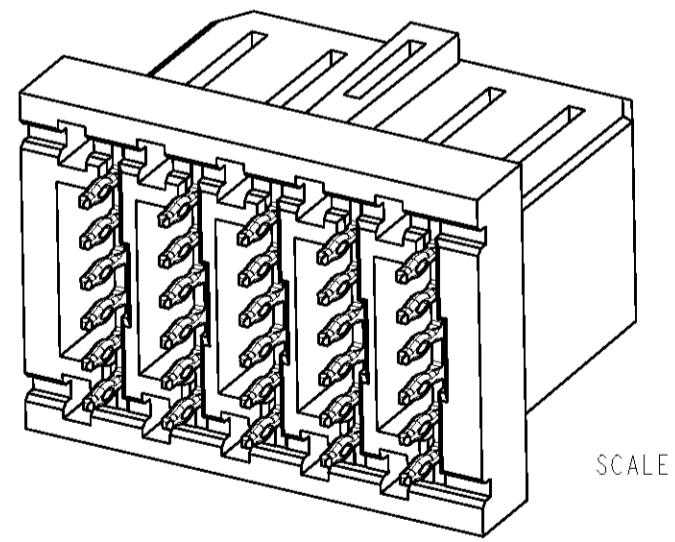
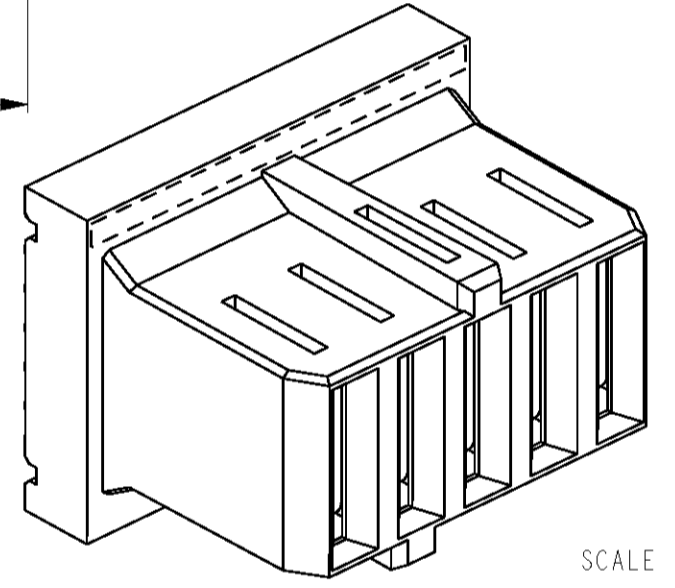
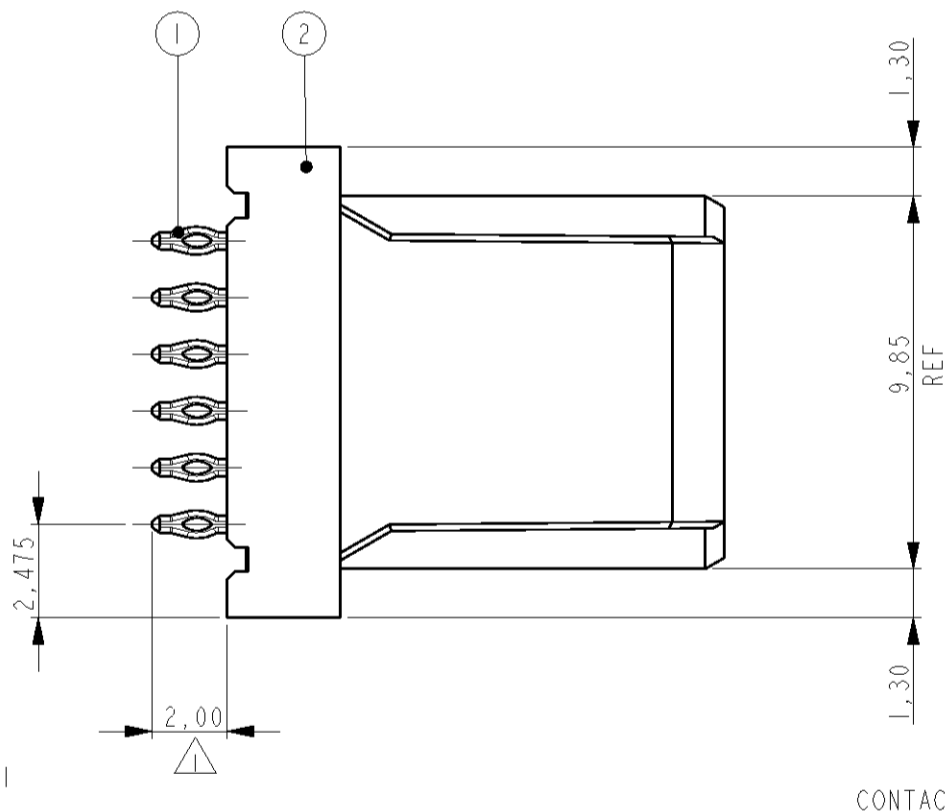
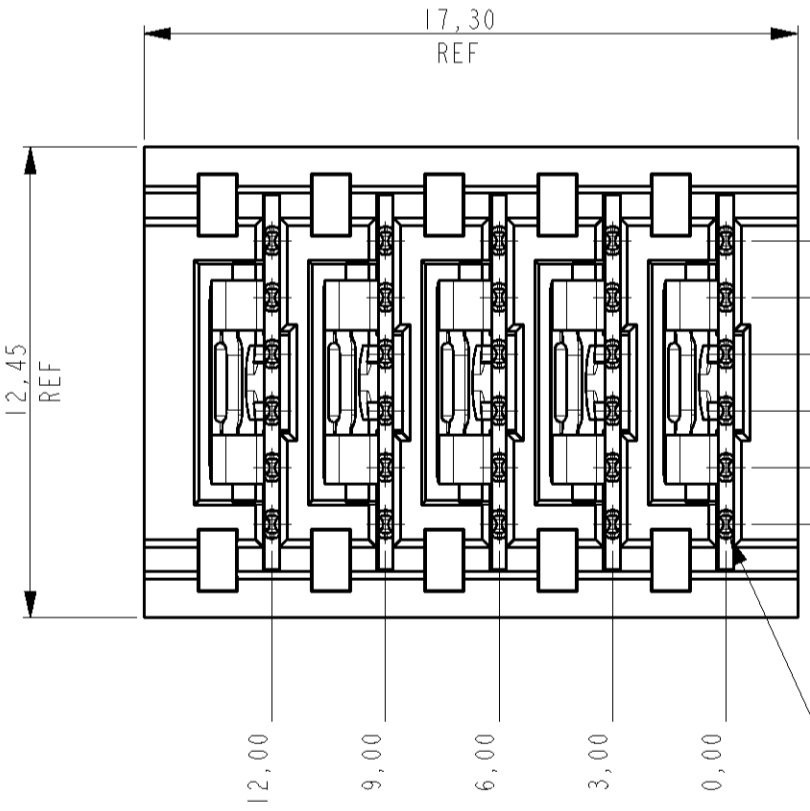
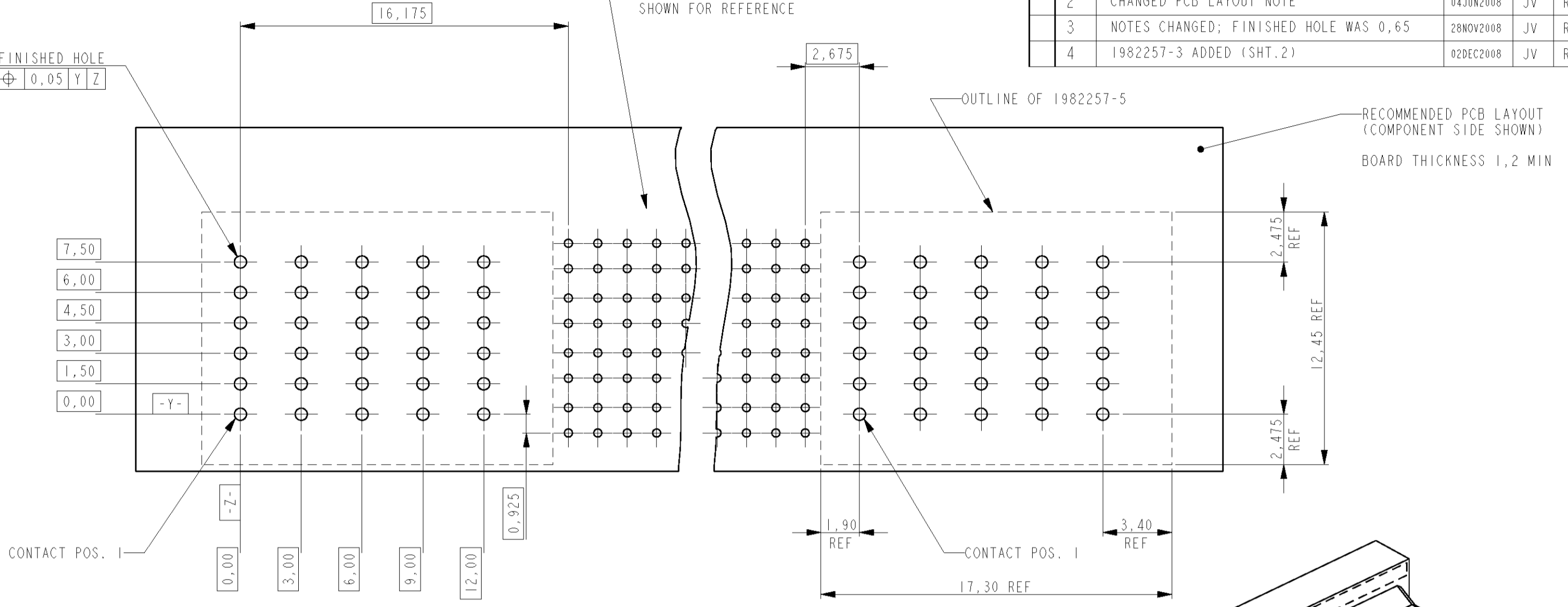


THIS DRAWING IS UNPUBLISHED. RELEASED FOR PUBLICATION
 © COPYRIGHT - BY TYCO ELECTRONICS CORPORATION. ALL RIGHTS RESERVED.

REVISONS		DATE	DWN	APVD
P	LTR	DESCRIPTION		
1		FIRST ISSUE	28MAY2008	JV RD
2		CHANGED PCB LAYOUT NOTE	04JUN2008	JV RD
3		NOTES CHANGED; FINISHED HOLE WAS 0,65	28NOV2008	JV RD
4		1982257-3 ADDED (SHT.2)	02DEC2008	JV RD



Ø0,60 FINISHED HOLE
 ⊕ 0,05 Y Z



**PRELIMINARY PART
 NOT RELEASED FOR PRODUCTION**
**THIS PRODUCT HAS NOT COMPLETED
 VALIDATION TESTING**

1982257-5 AS SHOWN

ITEM NO.	DESCRIPTION	MATERIAL
2	RECEPTACLE HOUSING	LCP 30% GF NATURAL
1	RECEPTACLE CONTACT	COPPER ALLOY

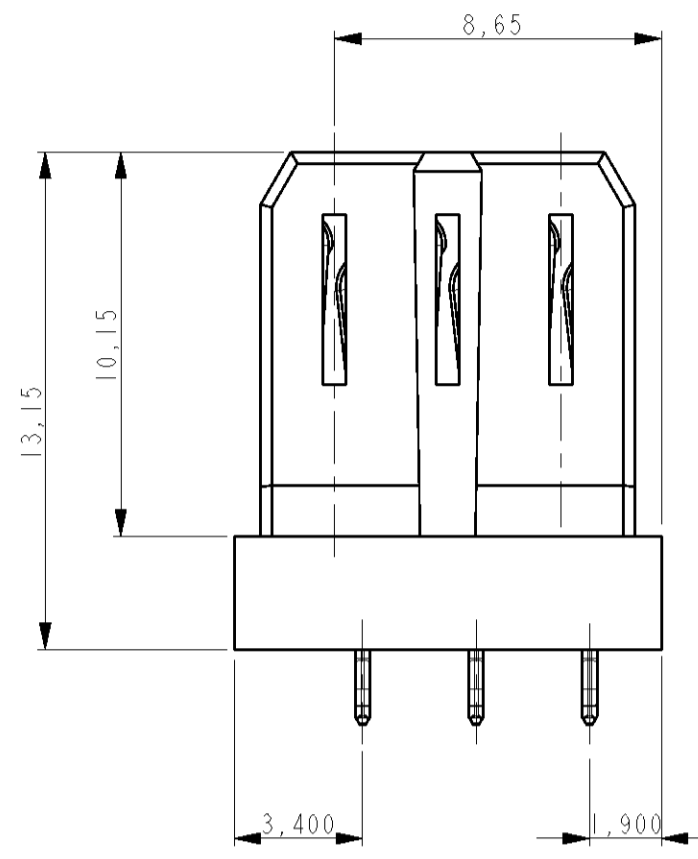
- NOTES:**
- 1 PLATING: 0,5µm MIN. TIN OVER NICKEL.
 - 2 PLATING IN CONTACT AREA
 1,27 µm MIN. Au OVER 1,27µm MIN. Ni

THIS DRAWING IS A CONTROLLED DOCUMENT FOR TYCO ELECTRONICS CORPORATION. IT IS SUBJECT TO CHANGE AND THE CONTROLLING ENGINEERING ORGANIZATION SHOULD BE CONTACTED FOR THE LATEST REVISION.		DWN: J.VOS 28-MAY-08
DIMENSIONS: mm		CHK: R.DAAMEN 28-MAY-08
TOLERANCES UNLESS OTHERWISE SPECIFIED:		APVD: R.VD.SANDT
0 PLC	±	PRODUCT SPEC
1 PLC	±0,1	APPLICATION SPEC
2 PLC	±0,05	
3 PLC	±0,025	
4 PLC	±	
ANGLES	±2°	
FINISH		
MATERIAL		WEIGHT: -
		CUSTOMER DRAWING

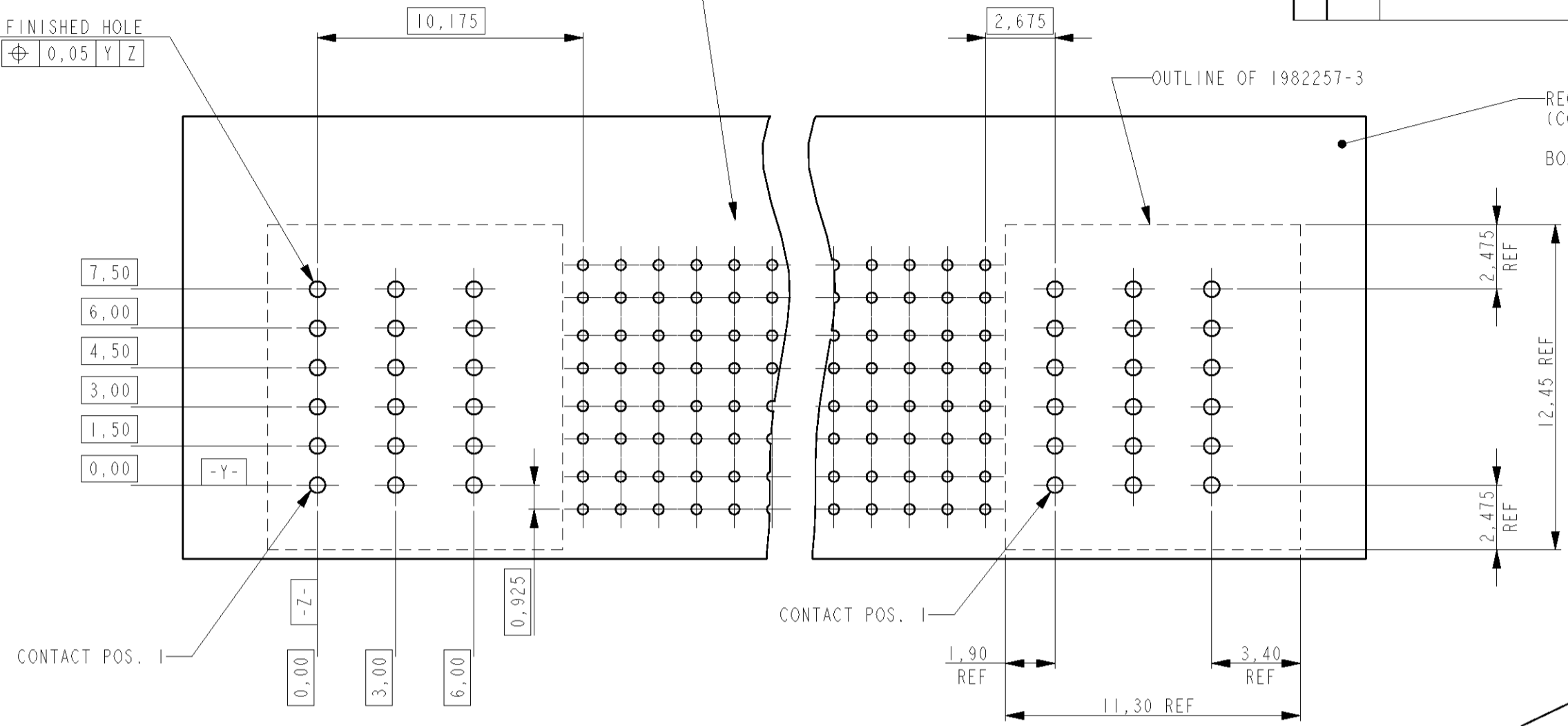
Tyco Electronics Corporation 's-Hertogenbosch, Nederland	
RECEPTACLE ASSEMBLY VERTICAL Z-PACK SLIM UHD POWER	
SIZE: A2	CAGE CODE: 00779
DRAWING NO: 1982257	RESTRICTED TO: -
SCALE: 5:1	SHEET 1 OF 2 REV 4

THIS DRAWING IS UNPUBLISHED. RELEASED FOR PUBLICATION
 BY TYCO ELECTRONICS CORPORATION. ALL RIGHTS RESERVED.

LOC	DIST	REVISIONS			
P	LTR	DESCRIPTION	DATE	DWN	APVD
-	-	SEE SHEET 1	-	-	-

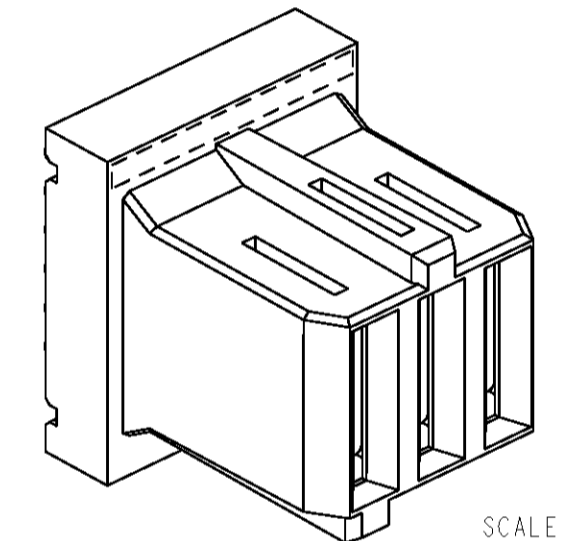
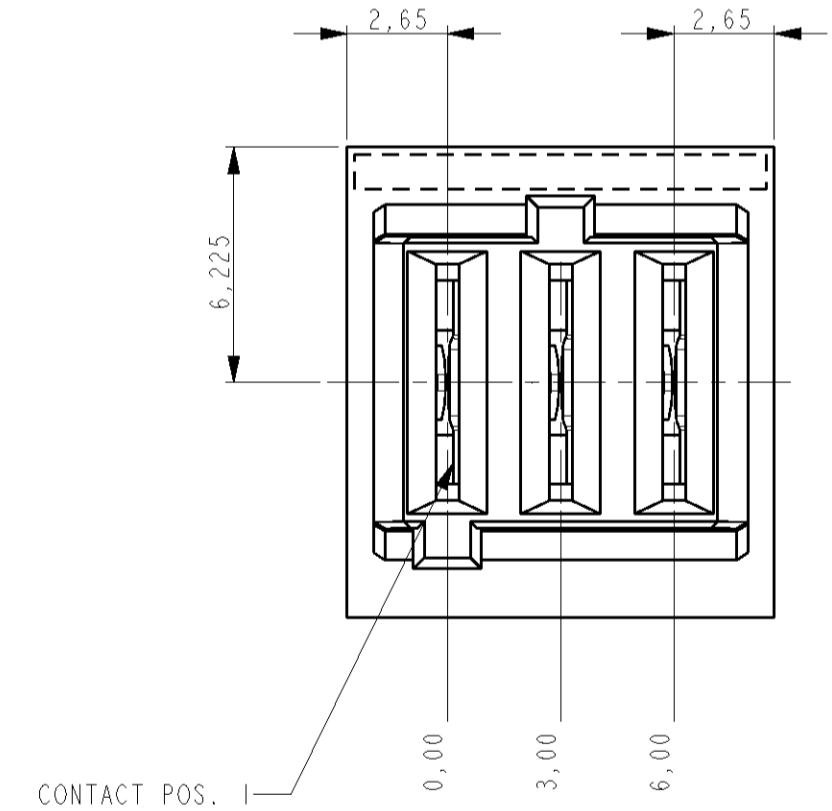
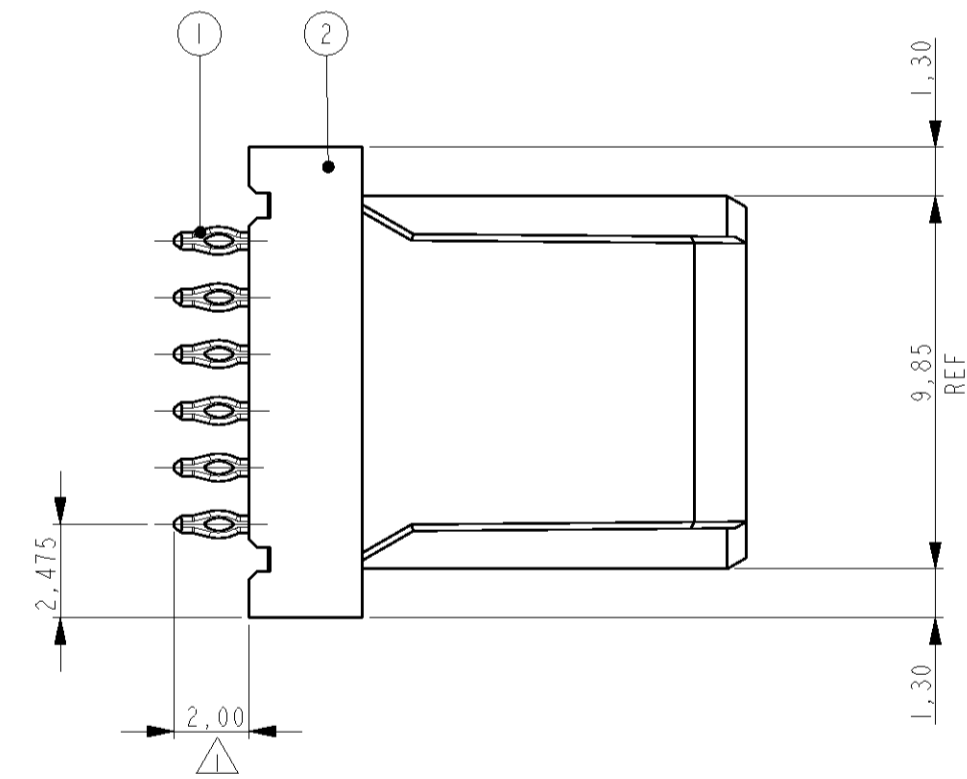
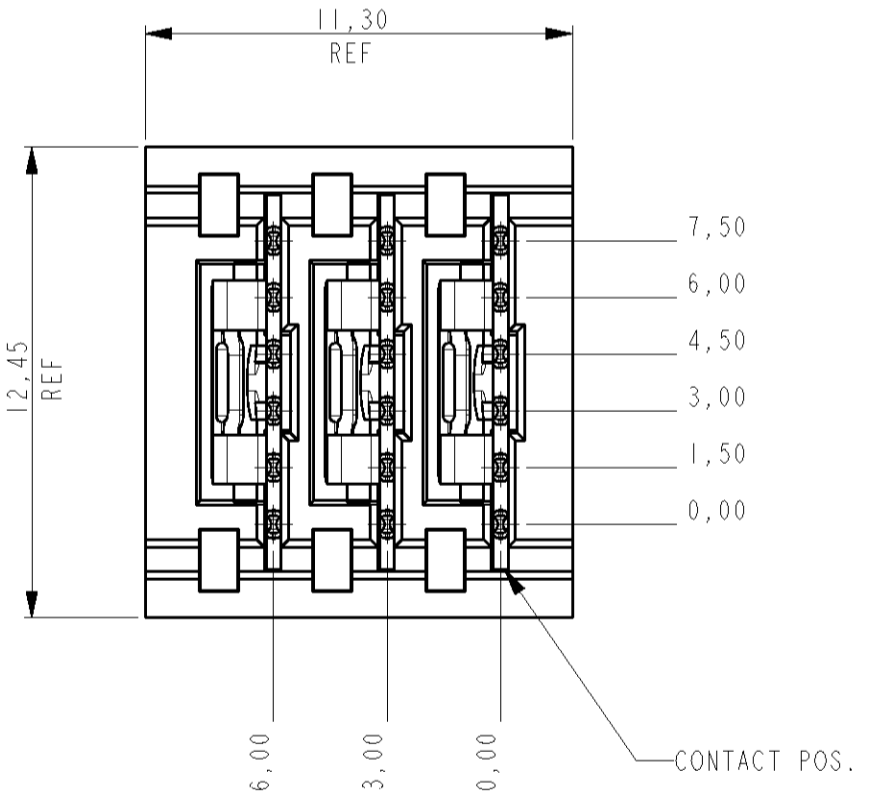


Ø0,60 FINISHED HOLE
 ⊕ 0,05 Y Z

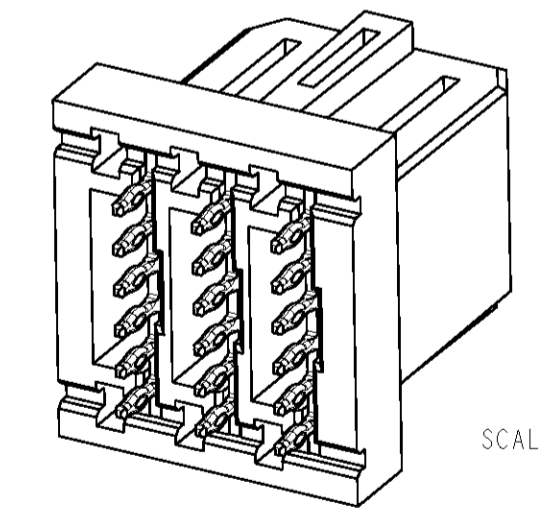


OUTLINE OF 1982257-3

RECOMMENDED PCB LAYOUT
 (COMPONENT SIDE SHOWN)
 BOARD THICKNESS 1,2 MIN



SCALE 4:1



SCALE 4:1

**PRELIMINARY PART
 NOT RELEASED FOR PRODUCTION**
**THIS PRODUCT HAS NOT COMPLETED
 VALIDATION TESTING**

1982257-3 AS SHOWN

2	RECEPTACLE HOUSING	LCP 30% GF NATURAL
1	RECEPTACLE CONTACT	COPPER ALLOY
ITEM NO.	DESCRIPTION	MATERIAL

Tyco Electronics Tyco Electronics Corporation
 's-Hertogenbosch, Nederland

NAME: RECEPTACLE ASSEMBLY
 VERTICAL
 Z-PACK SLIM UHD POWER

SIZE	CAGE CODE	DRAWING NO	RESTRICTED TO
A2	00779	1982257	-
SCALE 1:1		SHEET 2 OF 2	REV 4

THIS DRAWING IS A CONTROLLED DOCUMENT FOR TYCO ELECTRONICS CORPORATION IT IS SUBJECT TO CHANGE AND THE CONTROLLING ENGINEERING ORGANIZATION SHOULD BE CONTACTED FOR THE LATEST REVISION		DWN J.VOS 28-MAY-08
DIMENSIONS: mm		CHK R.DAAMEN 28-MAY-08
TOLERANCES UNLESS OTHERWISE SPECIFIED:		APVD R.VD.SANDT
0 PLC	±	PRODUCT SPEC
1 PLC	±0,1	APPLICATION SPEC
2 PLC	±0,05	-
3 PLC	±0,025	-
4 PLC	±	-
ANGLES	±2°	-
FINISH	-	-
MATERIAL	-	WEIGHT -
CUSTOMER DRAWING		-

- NOTES:
 1 PLATING: 0,5µm MIN. TIN OVER NICKEL.
 2 PLATING IN CONTACT AREA
 1,27 µm MIN. Au OVER 1,27µm MIN. Ni

