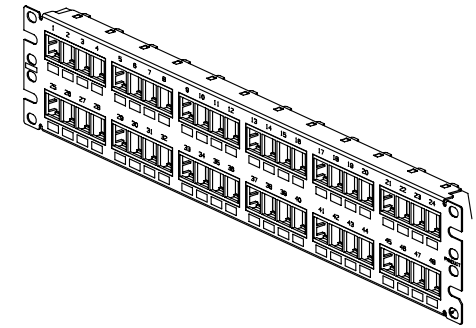
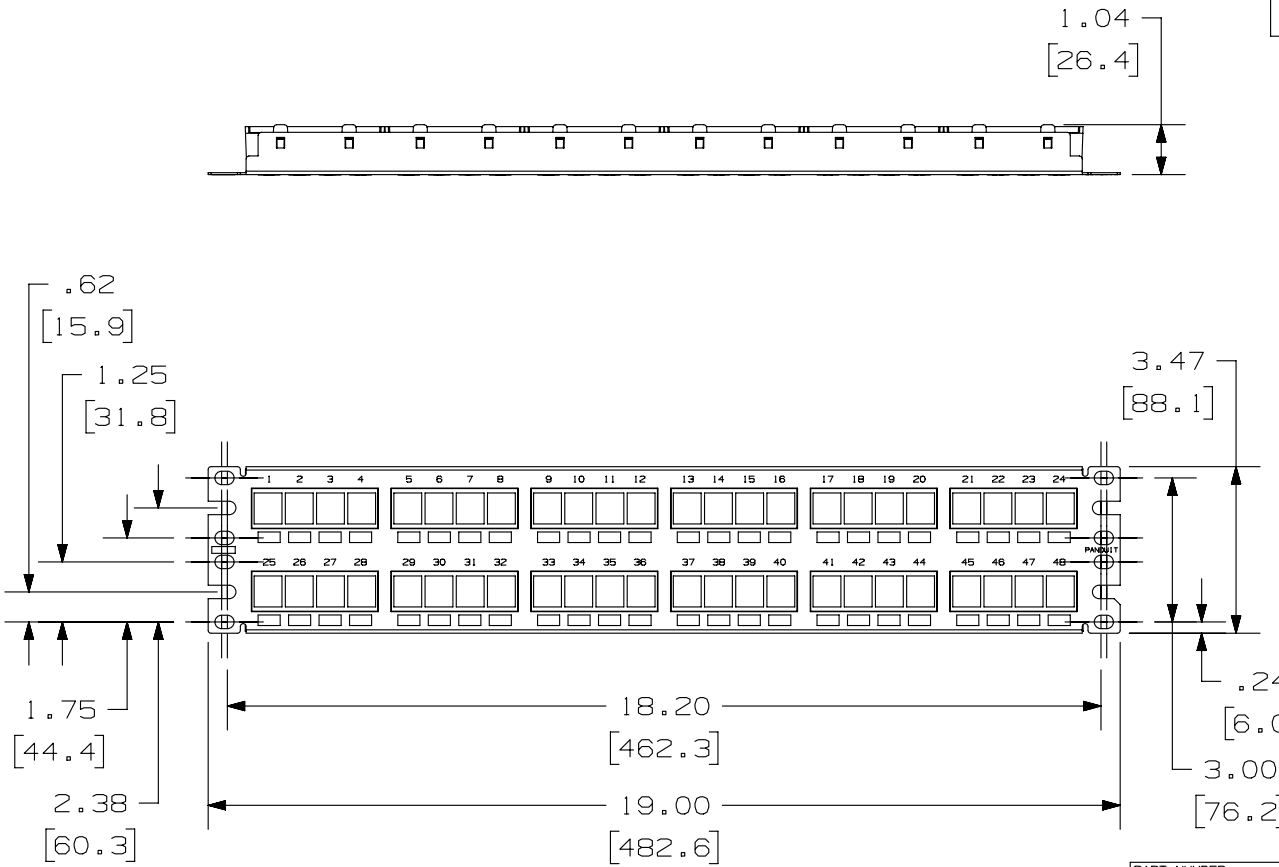


THIS COPY IS PROVIDED ON A RESTRICTED BASIS AND IS NOT TO BE USED IN ANY WAY DETRIMENTAL TO THE INTERESTS OF PANDUIT CORP.

| PANDUIT P/N | WEIGHT |
|-------------|-------------------------------------|
| NKPP48FMY | 11.3 LB/10 PCS (5128.7 g/10 PCS) |

NOTES:

- SEE CURRENT CATALOG FOR VARIOUS APPLICATIONS WITH THIS WIRING SYSTEM.
- THE FLUSH MOUNT PATCH PANEL IS DESIGNED FOR MOUNTING TO 19" UNIVERSAL RACKS.
- PACKAGE CONTENTS:
 (1) -48 PORT STAMPING
 (6) -8 POSITION FACEPLATE (ASSEMBLED TO PANEL)
 (1) -SCREW KIT (INCLUDES FOUR #12-24 SCREWS)
 (1) -SCREW KIT (INCLUDES FOUR M6 SCREWS)
- DIMENSIONS IN [] ARE IN METRIC.



| | | | |
|---|---------|-------------------|-------|
| PART NUMBER | | NKPP48FMY | |
| TITLE | | | |
| NETKEY 48 PORT FLUSH MOUNT MODULAR PATCH PANEL | | CUSTOMER DRAWING | |
| ITEM REVISION NAME | | M02479DS/01 | |
| DATASET FILE NAME | | M02479DS_DC99/00B | |
| UNLESS OTHERWISE SPECIFIED, DIMENSIONAL TOLERANCES ARE: IN [mm] | | MATERIAL: | |
| .x ± .xxx ± .010 [.3] | | PANEL: C.R.S. | |
| .xx ± .03 [.8] ANGLES ± | | FACEPLATE: ABS | |
| THIRD ANGLE PROJECTION | | DRAWING NUMBER: | |
| 02479-099 | | 02479-099 | |
| DRAWN BY | DATE | CHK | SCALE |
| JSP | 4-19-06 | MJD | NONE |
| SHT 1 OF 1 | | A | |

| REV | DATE | BY | CHK | APR | DESCRIPTION | ECN |
|-----|---------|-----|------|-----|---------------------------------|-----------|
| 1 | 5/15/14 | JSP | REFR | MMR | A. REVISED DRAWING TITLE BLOCK. | 02479-099 |
| R | 4-19-06 | JSP | MJD | MJD | RELEASED TO PRODUCTION | 02479-099 |

D10100DA/14

2

1

2

1