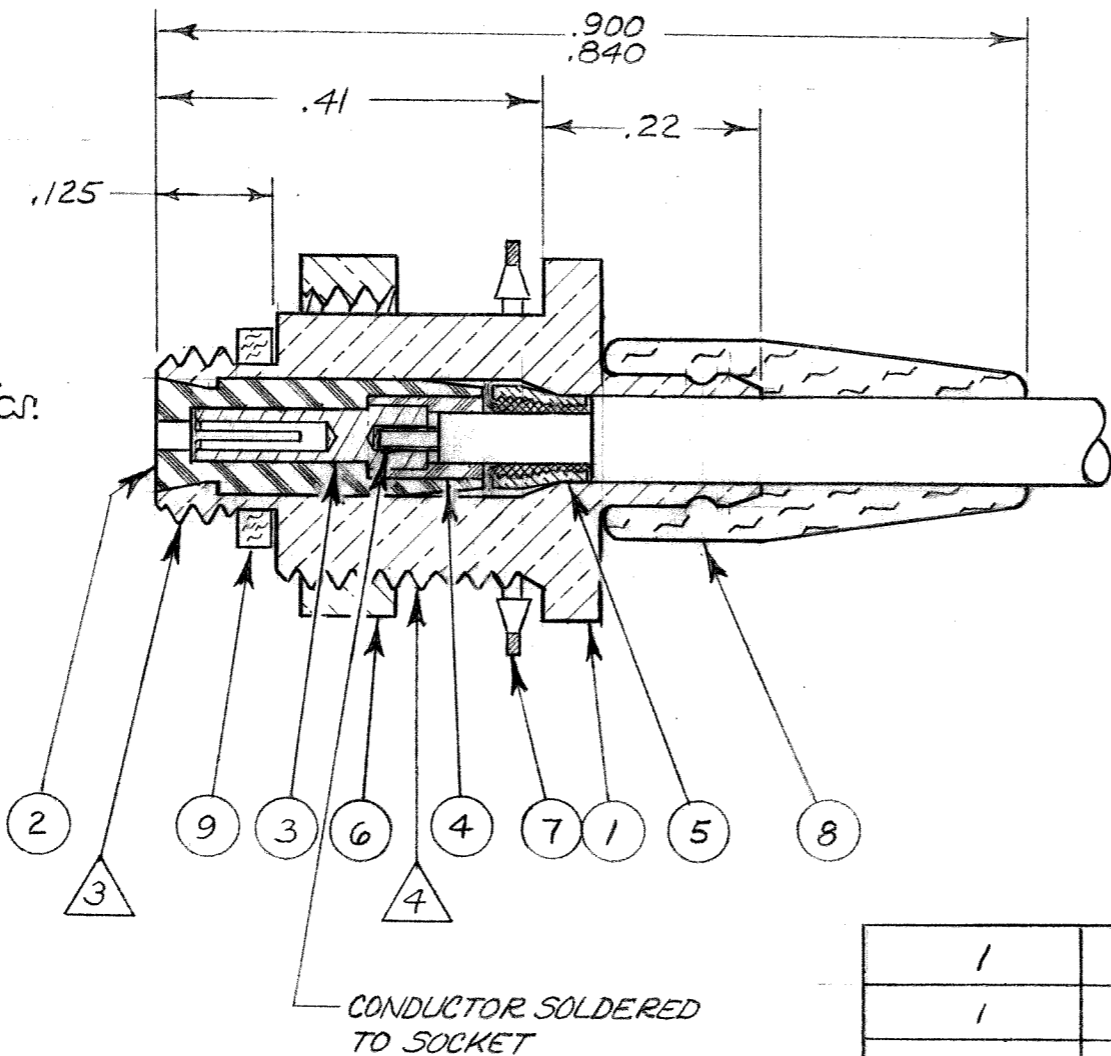
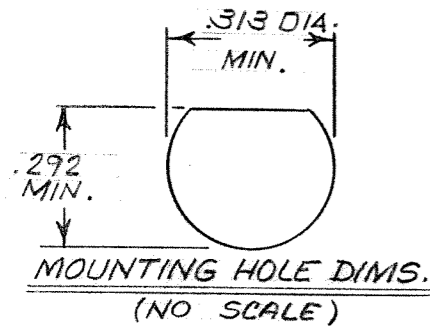
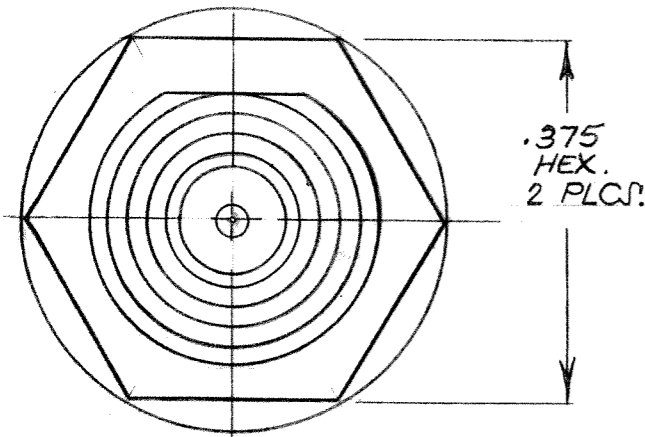


**CABLE ACCEPTANCE DIMS.**

JACKET DIA. .088 MAX.  
 SHIELD DIA. .061 MAX.  
 DIELECTRIC DIA. .041 MAX.  
 CENTER CONDUCTOR .021 MAX.



REVISIONS					
ZONE	LTR	ECN	DESCRIPTION	DATE	APPROVED
			FOR PRIOR CHANGES SEE OLD PRINTS		
	M		REVISED & REDRAWN - UPDATED PER LATEST FORMAT: .190-32 UNF-2A THD WAS 10-32 UNF-2A THD: .312-32 UNEF-2A THD WAS 5/16-32 UNEF-2A THD: 'MALCO' WAS MICRODOT RF-ASMB-89 WAS #48: (ECO 20856)	4/13/6	[Signature]
	N	28902	ITEM #7 MATL. WAS 'PHOSPHOR BRONZE QQ-B-750, UPDATE TO LATEST INFO.	8/13/84	[Signature]
	P	36837	ITEM 8, WAS 003-0031-0000 ITEM 9, WAS 003-0011-0001	3-11-97	[Signature]
	Q	38686	REV. UPDATE	3/4/99	[Signature]
	R	40968	UPDATE REV LETTER	5/1/01	[Signature]

Tyco Dwg 1467936  
 Micro P/N 031-0033-0001

**NOTES:**

1. SILVER PLATE .0002 MIN. PER QQ-S-365 TYPE II, GRADE A.
2. GOLD PLATE, PER MIL-G-45204, TYPE II, GRADE C, CLASS I.
3. .190-32 UNF-2A TH'D
4. .312-32 UNEF-2A TH'D
5. THIS CONNECTOR MATES WITH ALL CONNECTORS IN S-50 SERIES AS LISTED IN MALCO CATALOG.
6. ASSEMBLY INSTRUCTIONS, SEE RF-ASMB-89
7. SPECIAL MALCO TOOL 010-0003-0000
8. PANEL THICKNESS: .140 MAX.

QTY.	FINISH	PT. NO.	DESCRIPTION	MATERIAL SPEC.	ITEM NO.
1		003-0268-0000	GASKET	SILICONE RUBBER ZZ-R-765	9
1		003-0270-0000	BEND RELIEF CAP	SILICONE RUBBER ZZ-R-765	8
1	1	003-0258-0001	LOCKWASHER	425 BRONZE ALLOY	7
1	1	003-0209-0001	HEX NUT	BRASS PER QQ-B-626	6
1	1	003-0805-0001	RING	BRASS PER QQ-B-626	5
1		003-0153-0001	INSULATOR	TEFLON PER L-P-403	4
1	2	005-3700-0002	SOCKET CONTACT	BERYLLIUM COPPER QQ-C-530	3
1		003-0179-0001	INSULATOR	TEFLON PER L-P-403	2
1	1	003-0224-0001	FERRULE	BRASS PER QQ-B-626	1

**PARTS LIST**

UNLESS OTHERWISE SPECIFIED DIMENSIONS ARE IN INCHES TOLERANCES ARE: FRACTIONS DECIMALS ANGLES ± .XX ± ± .XXX ± .010		CONTRACT NO.		<b>MALCO</b> A MICRODOT COMPANY, INC. 220 PASADENA AVE., SO. PASADENA, CALIF. 91030  <b>BULKHEAD JACK</b>	PROD. CODE 931 CODE CDM	
MATERIAL NOTED		APPROVALS	DATE			
FINISH NOTED		CHECKED				
NEXT ASSY		PR. ENG. [Signature]				
USED ON		APPROVED		SIZE	CODE IDENT NO.	DRAWING NO.
APPLICATION		These drawings and specifications are the property of Microdot Inc., are issued in strict confidence and shall not be divulged, be reproduced or copied, or used as the basis for the manufacture or sale of any article without written permission of Microdot Inc.		B	98278	031-0033-0001
DO NOT SCALE DRAWING		SCALE 5X		SHEET 1 OF 1		

031-0033-0001 SAME AS 31-33