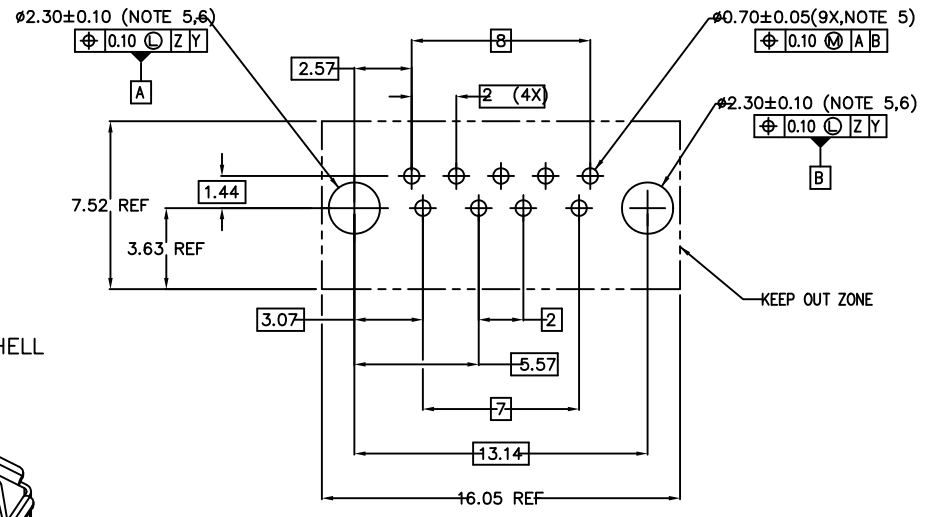
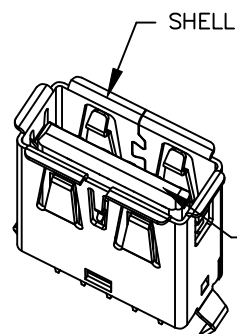
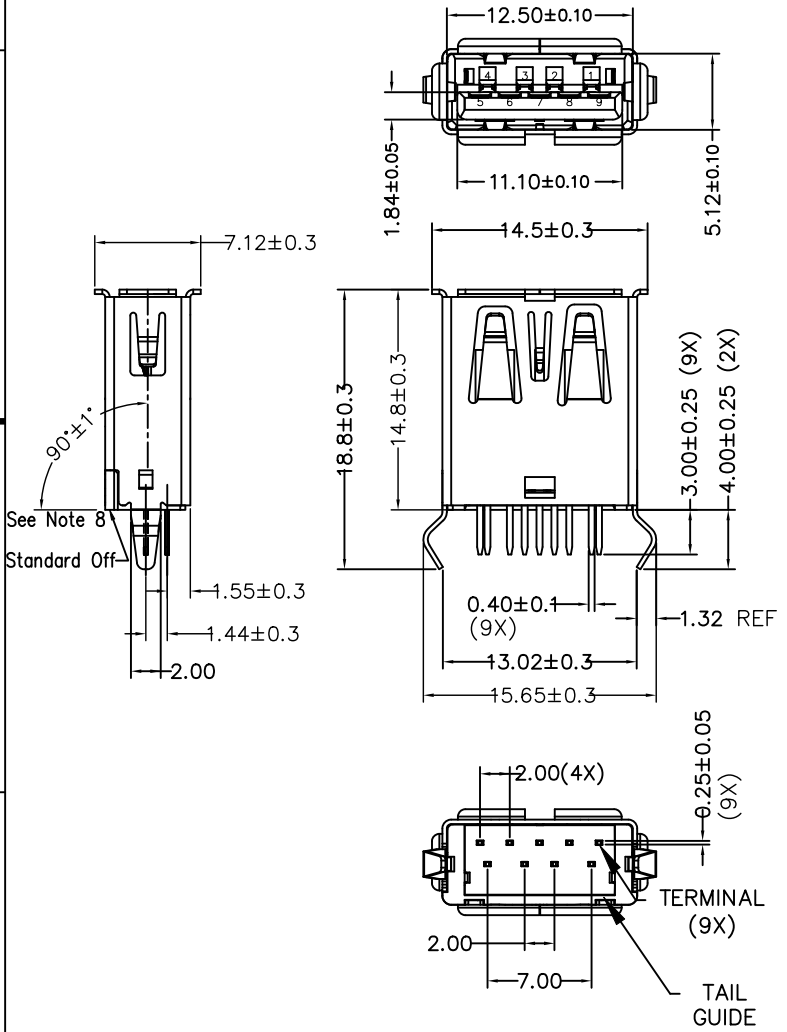


PART NUMBER CODE:
10117836-0XXLF

- CONTACT AREA PLATING AND DURABILITY OPTION
 1: 30u" Au (0.76um) Min. DURABILITY 3500 Min.
 2: GOLD FLASH, DURABILITY 1500 Min.
 HOUSING RESIN OPTION
 0: PBT
 1: LCP



- Notes:
 1) Materials
 Housing & Tail Guide: Glass fiber filled thermoplastic resin, UL94 V-0 rated, color blue.
 Terminals: Copper Alloy, 50u"(1.27um) Min. Ni underplated over all.
 Contact area: see table
 Tail area: 80u"(2.0um) Min. Matte Tin plated.
 Shell: Copper Alloy, 50u"(1.27um) Min. Ni plated over all.
 2) Product specification refer to FCI GS-12-0928.
 3) Package specification refer to GS-14-2157 (Tray package style).
 4) This product will withstand exposure to 260°C peak temp. for 10 seconds in a wave soldering application with recommended thick circuit board.
 5) Product meets European Union Directives and other country regulations as described in FCI GS-22-008.
 6) Recommended PCB hole is finished plating through hole (PTH) size.
 7) Datum Z, Y and basic dimensions were constructed by customer.
 8) The Angle between standard off and connector mating direction tolerance $\pm 1^\circ$

mat'l. code		surface		tolerance		projection		product family	
		ISO 1302		ISO 406		ISO 1101		HPL 510 USB 3.0	
ltr		ecn no		dr		date		title	
A		-		A.ZH		07/17/12		USB 3.0 Standard - A Receptacle Vertical Type	
B		ELX-N-22622		LQ		11/27/15		Soldering to Board Termination	
C		ELX-N-30883		LZ		08/06/18		scale 1:1	
				dr		Laurence.Zang		2018/08/02	
				eng		Laurence.Zang		2018/08/02	
				chr		LQ Lei		2018/08/02	
				app		Tim Yao		2018/08/02	
sheet		revision		D				dwg no	
index		sheet		All				sheet 1 of 1 size	
								10117836	
								A3	
								type Product Customer Drawing	

