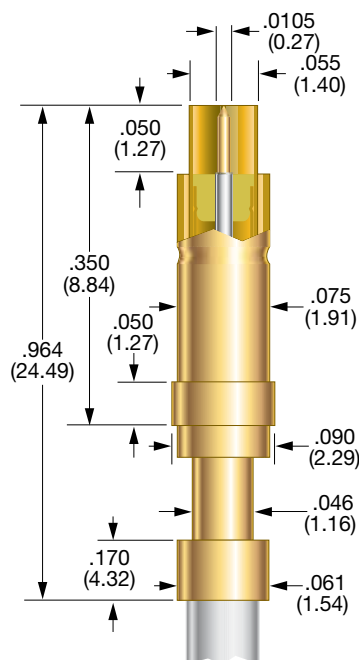
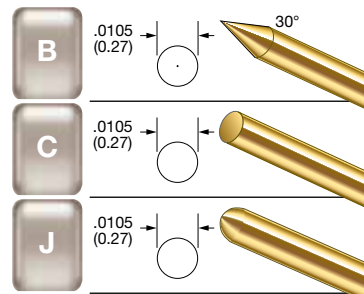


## 100780



## SIGNAL PLUNGER TIPS



### PROBE SPECIFICATIONS

Minimum Centers: .100 (2.54)

Current Rating: 0.5 amps continuous

Spring Force:

Signal Conductor: 1.1 oz. @ .045 (1.14) travel

Shielding Plunger: 2.2 oz. @ .023 (0.58) travel

Nominal Impedance: 50 Ω

Maximum Travel: .050 (1.27)

Working Travel: .023 (0.58)

### MATERIALS

Barrel: Brass, gold plated

Shielding Plunger: Beryllium copper, gold plated

Springs:

Signal Conductor: Music wire, gold plated

Shielding Plunger: Music wire, gold plated

Isolation Plug: Torton

Dielectric Insulator: Air

Shielding Tube: Stainless steel, gold plated

Signal Conductor: Special Quad 0 probe

Coaxial Cable: Semi-rigid cable

HOW TO ORDER				
<b>100780</b>	<b>B</b>	<b>F</b>	<b>12</b>	<b>AM</b>
BASE PART NUMBER	SIGNAL PROBE TIP	MOUNTING FLANGE	CABLE LENGTH	TERMINATION
	CABLE LENGTH:		AM: SMA MALE	
	12 - 12 INCHES		AF: SMA FEMALE	
	36 - 36 INCHES		NC: No CONNECTOR	

\* WHEN ORDERING WITH A PREATTACHED CONNECTOR, PLEASE NOTE THAT THE CONNECTOR WILL NOT FIT THROUGH THE PROBE MOUNTING HOLE. THE PROBE MUST BE INSERTED FROM THE BOTTOM SIDE OF THE MOUNTING PLATE.

CONSULT IDI FOR MORE INFORMATION.

Specifications subject to change without notice. Dimensions in inches (millimeters)