

# MISCELLANEOUS HARDWARE & ACCESSORIES

**SWITCH HARDWARE.....V2**  
**PUSHBUTTON AND TOGGLE CAPS.....V2 - V3**  
**SECURITY GUARDS.....V3**

SPECIFICATIONS SUBJECT TO CHANGE WITHOUT NOTICE



## MISCELLANEOUS HARDWARE

<p><b>HEX NUT A112</b> Nickel plated brass 1/4-40</p>	<p><b>HEX NUT A465</b> Nickel plated brass 15/32-32</p>	<p><b>PANEL DRESS NUT A168P1</b> Blind thread, Nickel plated brass 1/4-40</p>	<p><b>PANEL DRESS NUT A168P2</b> Thru thread, Nickel plated brass 1/4-40</p>
<p><b>PANEL DRESS NUT A274</b> Nickel plated brass 1/4-40</p>	<p><b>PANEL DRESS NUT A540</b> Nickel plated brass 15/32-32</p>	<p><b>DECORATIVE NUT A447</b> Thru thread, chromium plated brass 1/4-40</p>	<p><b>ANTI-ROTATE RING (LARGE) A158</b> Nickel plated brass 1/4</p>
<p><b>ANTI-ROTATE RING A482</b> Nickel plated brass 15/32</p>	<p><b>LOCKWASHER A115</b> Nickel plated steel 1/4</p>	<p><b>LOCKWASHER A466</b> Nickel plated steel 15/32</p>	<p><b>ANTI-ROTATE RING A107</b> Nickel plated brass 1/4</p>
<p><b>PUSHBUTTON CAPS (ALL)</b></p> <p>Material - Nylon</p> <p>Caps press fit adequately, however they may be pulled off. If permanent retention is required, cement with Loctite 405 or equivalent, insuring no cement enters switch.</p>	<p><b>PUSHBUTTON CAP A212</b></p> <p><b>FITS PB SERIES</b></p>	<p><b>COLOR CAPS B366 &amp; B497</b></p> <p><b>B366</b> fits 300 &amp; 400 Series with S option only, and all PB Series.</p> <p><b>B497</b> fits 800 Series with options KM, KS, KM1, K1M1 &amp; K2M1.</p>	
<p><b>PUSHBUTTON CAPS A180 &amp; A496</b></p>	<p><b>A180</b> fits all PB Series.</p> <p><b>A496</b> fits 800 Series with options KM, KS, KM1, K1M1, K2M, K2S &amp; K2M1.</p>	<p><b>PUSHBUTTON CAP A235</b></p> <p>* - fits all PB, 300 &amp; 400 Series.</p> <p>** - fits 800 Series with options KM, KS, KM1 &amp; K2M1.</p>	

SPECIFICATIONS SUBJECT TO CHANGE WITHOUT NOTICE

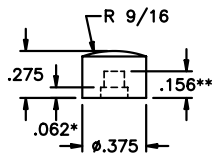
### STANDARD COLOR CODE

For nylon caps, actuators, bezels & bezel inserts.  
To specify, add selected color code to part number. Example: A2122 is a black A212 Cap. To specify for actuators, bezels and bezel inserts, see 'Order Format' section following specific series information in this catalog.

Code	Color	Code	Color
1	blue	2	black
3	green	4	gray
5	yellow	6	red
7	ivory	8	white
9	orange		

## MISCELLANEOUS HARDWARE (CONT'D.)

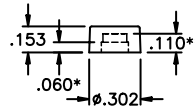
### PUSHBUTTON CAP A420



\* - Fits all 300 Series except 301 & 305. Fits 301 & 305 with S option. Fits all 400 & PB Series.

\*\* - Fits 800 Series with options KM, KS, KM1 & K2M1.

### COLOR CAP B494

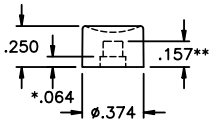


\*\* - P1 fits all 800 Series except K1M & K1S.

\* - P2 fits all 300 & 400 Series.

\* - P3 fits all PB Series.

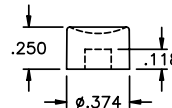
### PUSHBUTTON CAP A631



\* - Fits all 300 Series except 301 & 305. Fits 301 & 305 with S option. Fits all 400 & PB Series.

\*\* - Fits 800 Series with options KM, KS, KM1 & K2M1.

### PUSHBUTTON CAP A632



Fits all PB Series.

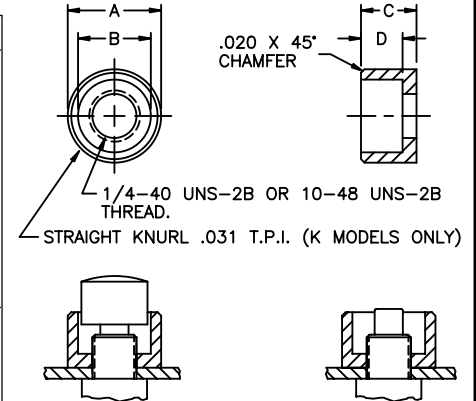
## CUSTOM MARKING

Permanent ink marking is available for switch caps, bezels and rocker actuators. Consult factory with your special requirement. Representative samples available.

## SWITCH GUARDS

Materials: 5056-H18 aluminum with clear or black anodize, or free machining brass with bright chrome plate. Dimensions in inches and (millimeters). Tolerances: A & D,  $\pm 0.015$ " B & C,  $\pm 0.005$ "

MODEL	TH'D.	COLOR	FINISH	A	B	C	D
<b>MG11A</b>	10-48	NATURAL AL.	PLAIN				
<b>MG11B</b>	10-48	BLACK AL.	PLAIN				
<b>MG12A</b>	1/4-40	NATURAL AL.	PLAIN				
<b>MG12B</b>	1/4-40	BLACK AL.	PLAIN	.530 (13.5)	.413 (10.5)	.315 (8.0)	.236 (6.0)
<b>MG12C</b>	1/4-40	CHROMED BR.	PLAIN				
<b>MG12KA</b>	1/4-40	NATURAL AL.	KNURLED				
<b>MG12KB</b>	1/4-40	BLACK AL.	KNURLED				
<b>MG12KC</b>	1/4-40	CHROMED BR.	KNURLED				
<b>MG13A</b>	1/4-40	NATURAL AL.	PLAIN				
<b>MG13B</b>	1/4-40	BLACK AL.	PLAIN	.730 (18.5)	.610 (15.5)	.315 (8.0)	.236 (6.0)
<b>MG13C</b>	1/4-40	CHROMED BR.	PLAIN				



### STANDARD COLOR CODE

For nylon caps, actuators, bezels & bezel inserts. To specify, add selected color code to part number. Example: A2122 is a black A212 Cap. To specify for actuators, bezels and bezel inserts, see 'Order Format' section following specific series information in this catalog.

Code	Color	Code	Color
<b>1</b>	<b>blue</b>	<b>2</b>	<b>black</b>
<b>3</b>	<b>green</b>	<b>4</b>	<b>gray</b>
<b>5</b>	<b>yellow</b>	<b>6</b>	<b>red</b>
<b>7</b>	<b>ivory</b>	<b>8</b>	<b>white</b>
<b>9</b>	<b>orange</b>		

SPECIFICATIONS SUBJECT TO CHANGE WITHOUT NOTICE

V