

Membrane Force Sensor



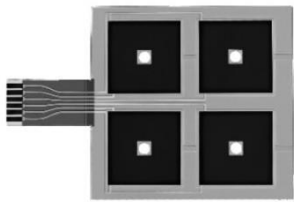
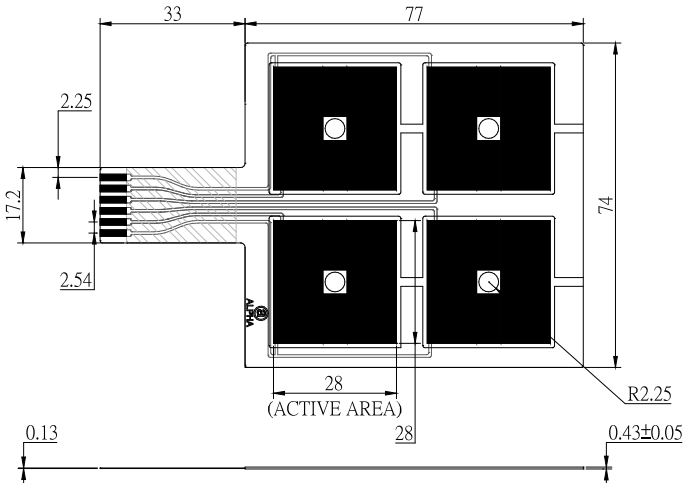
28mm Square Active Area*4

Application

✓ Fitness, Medical, Industrial and many others

Feature


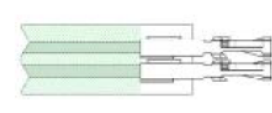
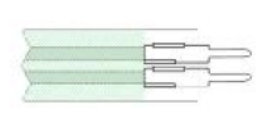
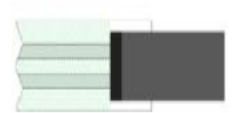
✓ Ultra-thin, Flexible and sealed properties, Velocity-sensitive

Order Code	Outline Drawing
<p>MF22-N-064-A01</p> 	

SPECIFICATION

MODEL	MF22-N-064-A01
FORCE SENSITIVITY RANGE	50g~1000g (0.5N~9.8N)
ACTIVE AREA	28mm x 28mm
FORCE REPEATABILITY (SINGLE PART)	-
FORCE REPEATABILITY (PART TO PART)	-
FORCE RESOLUTION	Continuous(Analog)
STAND-OFF RESISTANCE (UNLOADED)	>20MΩ
RESPONSE TIME	<1ms
OPERATING TEMPERATURE	-20°C to +70°C
LIFE CYCLE (WITHOUT FAILURE)	>1 Million

CONNECTOR OPTIONS

Bear Tail	Female Contacts	Solder Tabs (pin)	Female Contact with Housing
			

Design and specifications presented here are for the standard parts only. Please kindly contact us for your special requests and ask for the current technical specifications before purchase and/or use.

Mouser Electronics

Authorized Distributor

Click to View Pricing, Inventory, Delivery & Lifecycle Information:

[Alpha \(Taiwan\):](#)

[MF22-N-064-A01](#)