

TIN LEAD PART NUMBER

Part Number: HM1L52xyP000Hz

MATING LENGTH DIM-P / REPLACE 'x' BY:					
	ROW-A	ROW-B	ROW-C	ROW-D	ROW-E
A =	5.00	5.00	5.00	5.00	5.00
L =	5.75	5.75	5.75	5.75	5.75
D =	6.50	6.50	6.50	6.50	6.50
B =	6.50	5.00	5.00	5.00	5.00
C =	6.50	5.75	5.75	6.50	5.75

TERMINATION LENGTH DIM-D	D=2.90 ± 0.3, replace y by A
	D=3.70 ± 0.3, replace y by B

LEAD FREE PART NUMBER

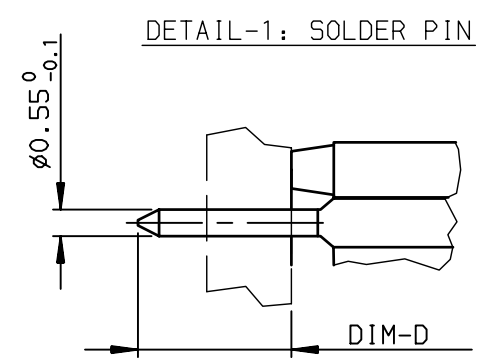
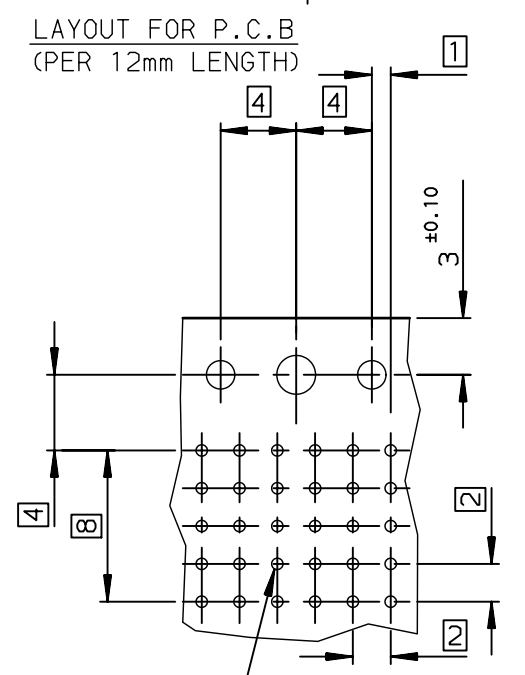
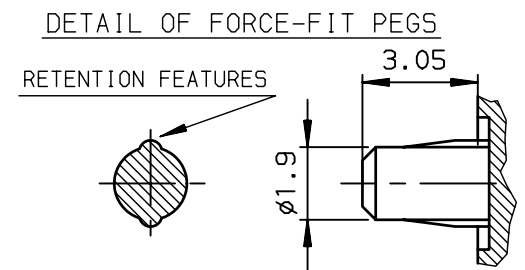
Part Number: HM1L52xyP000HzLF

MATING LENGTH DIM-P / REPLACE 'x' BY:					
	ROW-A	ROW-B	ROW-C	ROW-D	ROW-E
A =	5.00	5.00	5.00	5.00	5.00
L =	5.75	5.75	5.75	5.75	5.75
D =	6.50	6.50	6.50	6.50	6.50
B =	6.50	5.00	5.00	5.00	5.00
C =	6.50	5.75	5.75	6.50	5.75

TERMINATION LENGTH DIM-D	D=2.90 ± 0.3, replace y by A
	D=3.70 ± 0.3, replace y by B

GENERAL CHARACTERISTICS AND ROHS INFORMATIONS:  
SEE PRODUCT SPECIFICATION 65-12-446

- NOTE-2: INSERTION IN PCB, HANDLING OR BENCH PRESS  
NOTE-3: IF SUFFIX "P" IS ADDED IN P/N PACKAGING IS IN TRAYS BUT CONNECTOR MARKING IS WITHOUT "P"  
EXAMPLE: HM1XXXXXXXXXH6P, MARKED HM1XXXXXXXXXH6  
NOTE-4: REAR CENTRAL SUPPORT FOR BETTER ASSY ON PCB



rev	ecn no	dr	date
B	-	MAS	2000/08/31
C	LS05-001	MLE	2005/03/15
D	LS06-0095	LGO	2006/07/10
E	LS07-0184	MLE	2007/07/24

www.fciconnect.com		surface ISO 1302 ✓	tolerance std ISO 406 ISO 1101	projection	mm
TOLERANCES UNLESS OTHERWISE SPECIFIED					
Dr	CHAMPION	1997/06/17	ANGULAR	0.X ± 0.1	size A3
Eng	LENOIR	1997/06/17	LINEAR	0.XX ± 0.1	Scale 2.5
Chr	LEGARE	1997/06/17	0.XX' ± 2'	0.XXX ± 0.1	ECN LS07-0184
Appr	LEGARE	1997/06/17	Product family	METRAL	Spec ref -
title METRAL RA HEADER 5 ROW			dwg no C-8626-0240		Rev. E
catalog no			CUSTOMER sheet 1 of 1		

Hole according to product spec 65-12-445 (For press-Fit), 65-12-446 (For STB)