

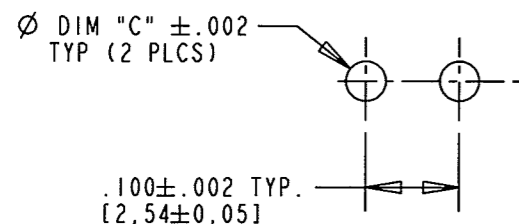
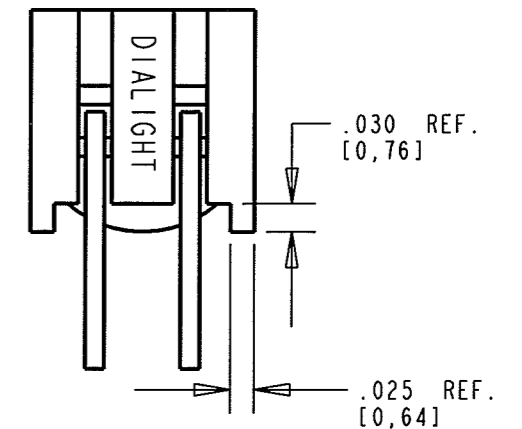
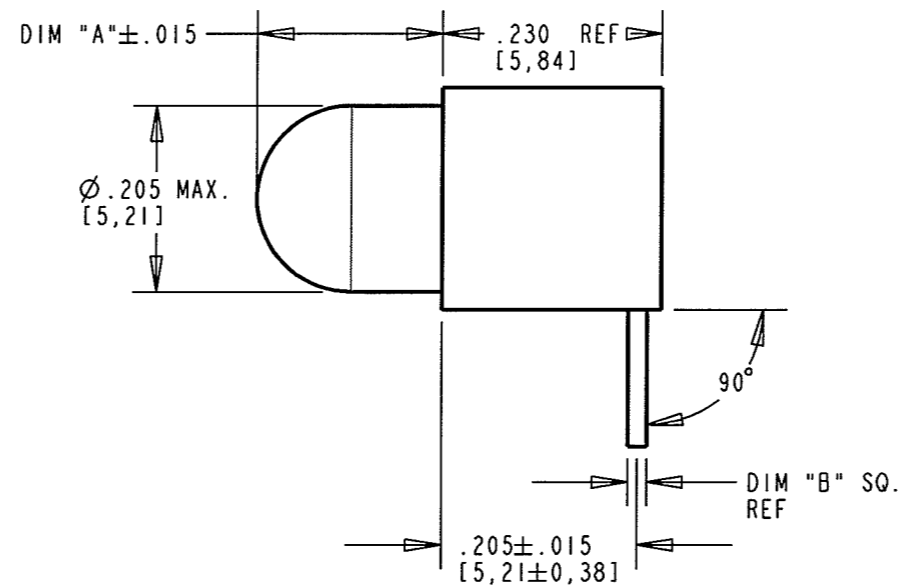
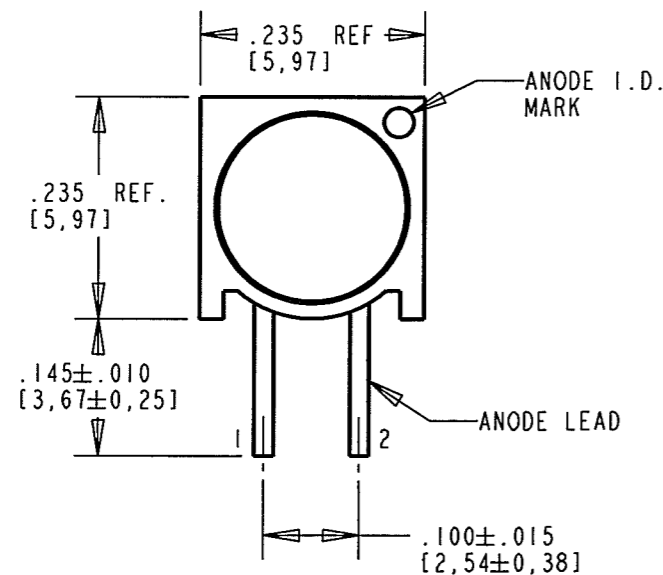
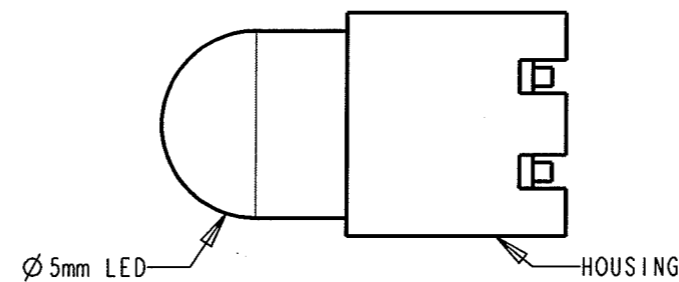
| DIALIGHT PART NUMBER | LED COLOR | DIM. "A" | DIM. "B" | DIM. "C" | OPERATING CHARACTERISTICS AT 25°C AMBIENT | | | | | | | |
|----------------------|-------------------|----------|----------|----------|---|-----|---------------------|-----|---------------------|------------------------|---------------------|-------------|
| | | | | | LUM. INT. (mcd) | | FORWARD VOLTAGE (V) | | I _r (μA) | λ _{PEAK} (nm) | VIEWING ANGLE (DEG) | TEST. COND. |
| | | | | | MIN | TYP | TYP | MAX | MAX | | | |
| 550-0205-010F | LP GREEN DIFFUSED | .135 | .020 | .043 | 12.6 | 40 | 2.1 | 2.6 | 100 | 565 | 60 | 10mA |
| 550-5205-010F | GREEN DIFFUSED | .190 | .020 | .043 | 17 | 34 | 2.2 | 3.0 | 10 | 563 | 50 | 20mA |
| 550-5505-010F | RED WATER CLEAR | .197 | .018 | .040 | 80 | 125 | 2.2 | 3.0 | 100 | 635 | 24 | 20mA |
| 550-5605-010F | GREEN WATER CLEAR | .197 | .018 | .040 | 80 | 120 | 2.3 | 3.0 | 100 | 565 | 24 | 20mA |

| REV | ECN NO | REVISIONS | DRN | CKD | APP | DATE |
|-----|--------|-------------|-----|------|---------|------|
| A | — | NEW RELEASE | KLJ | n.c. | 3/21/08 | |

RoHS COMPLIANT 550-XX05-010F

Part Numbers with the "F" suffix ending are RoHS Compliant. For example: 550-5205-010F
Packaging is marked with "RoHS Compliant" label or equivalent markings. Parts can be wave soldered, dip soldered or hand soldered using typical lead-free soldering process with max 260°C temp. for 5 sec.

| ABSOLUTE MAXIMUM RATINGS AT 25°C AMBIENT | COLOR | | | | UNITS |
|--|---------------|-------|-------------|----------|-------|
| | LP GREEN | GREEN | RED WC | GREEN WC | |
| POWER DISSIPATION | 100 | 75 | 135 | 135 | mW |
| CONTINUOUS FORWARD CURRENT | 30 | 25 | 30 | 30 | mA |
| PEAK FORWARD CURRENT | 120 | 60 | 500 | 500 | mA |
| DERATE LINEARLY FROM 50°C / 25°C FOR WC | 0.4 | 0.5 | 0.4 | 0.4 | mA/°C |
| REVERSE VOLTAGE | 5 | 3 | 5 | 5 | V |
| STORAGE TEMPERATURE | -55 TO +100 | | | | °C |
| OPERATING TEMPERATURE | -55 TO +100 | | -20 TO +100 | | °C |
| SOLDERING TEMPERATURE, 1/16" FROM BODY | 260 FOR 5 SEC | | | | °C |



RECOMMENDED HOLE PATTERN GAUGE



NOTES:

- LED LEAD DIMENSIONS SHOWN ARE MEASURED AT HOUSING EXIT.
- LEADS TO FIT INTO HOLES SPACED AS PER PATTERN.
- PIN NUMBERS FOR REFERENCE ONLY, DESIGNATION NON-EXISTENT ON PART.
- DIALIGHT PART NUMBERS: 550-XX05-010F.
- THIS ASSEMBLY CONTAINS ELECTROSTATIC DISCHARGE SENSITIVE DEVICES (ESDS). MAINTAIN ALL PRECAUTIONARY MEASURES DURING ASSEMBLY, HANDLING, AND STORAGE IN ACCORDANCE WITH IPC-A-610.



ATTENTION:
OBSERVE PRECAUTIONS FOR
HANDLING ELECTROSTATIC
SENSITIVE DEVICES

| | | |
|---|--|-----|
| THIS DRAWING AND THE CONTENTS HEREIN ARE CONFIDENTIAL AND THE SOLE PROPERTY OF DIALIGHT. REPRODUCTION OF THIS DRAWING OR CONSTRUCTION OF ANY PARTS WITHIN THIS DRAWING ARE FORBIDDEN WITHOUT THE WRITTEN CONSENT OF DIALIGHT. | | |
| SCALE: 5.000 | DRAWING NUMBER | REV |
| ALL DIM'S IN: INCHES (MM) | C-17653 | A |
| TOLERANCES: UNLESS OTHERWISE SPECIFIED | TITLE 5mm LED CBI; SQ. BACK HOUSING; REVERSE POLARITY; RoHS COMPLIANT | |
| FRACTIONS: ±1/64 DECIMALS (.XX): ±.02 DECIMALS (.XXX): ±.015 | MATERIAL | |
| ANGLES: ±3° | Dialight | |
| FINISH: | 1501 ROUTE 34 SOUTH FARMINGDALE, NJ 07727 | |
| FSCM 83330 | SHEET 1 OF 1 FAMILY TABLE: | |