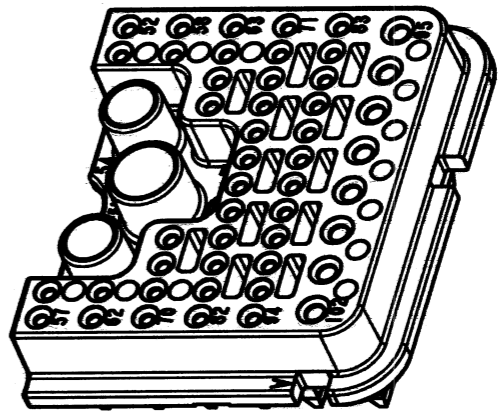
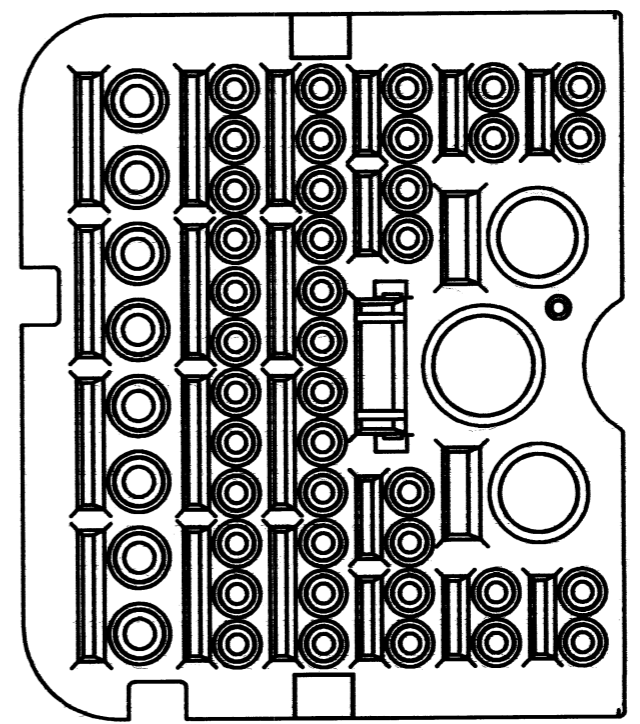
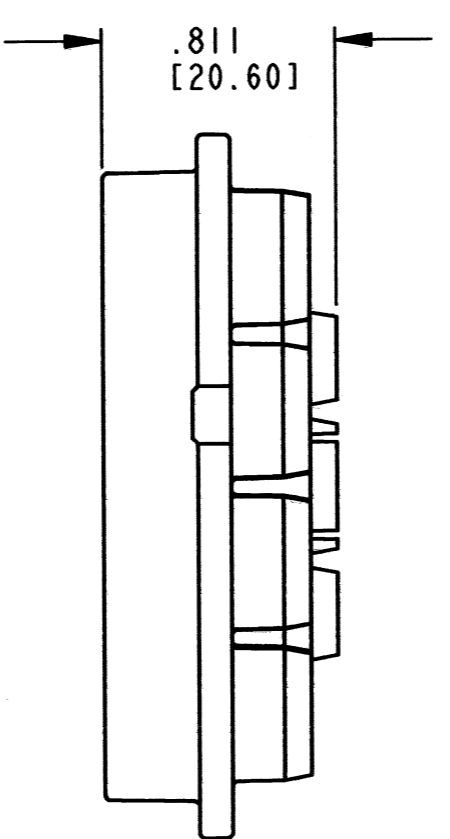
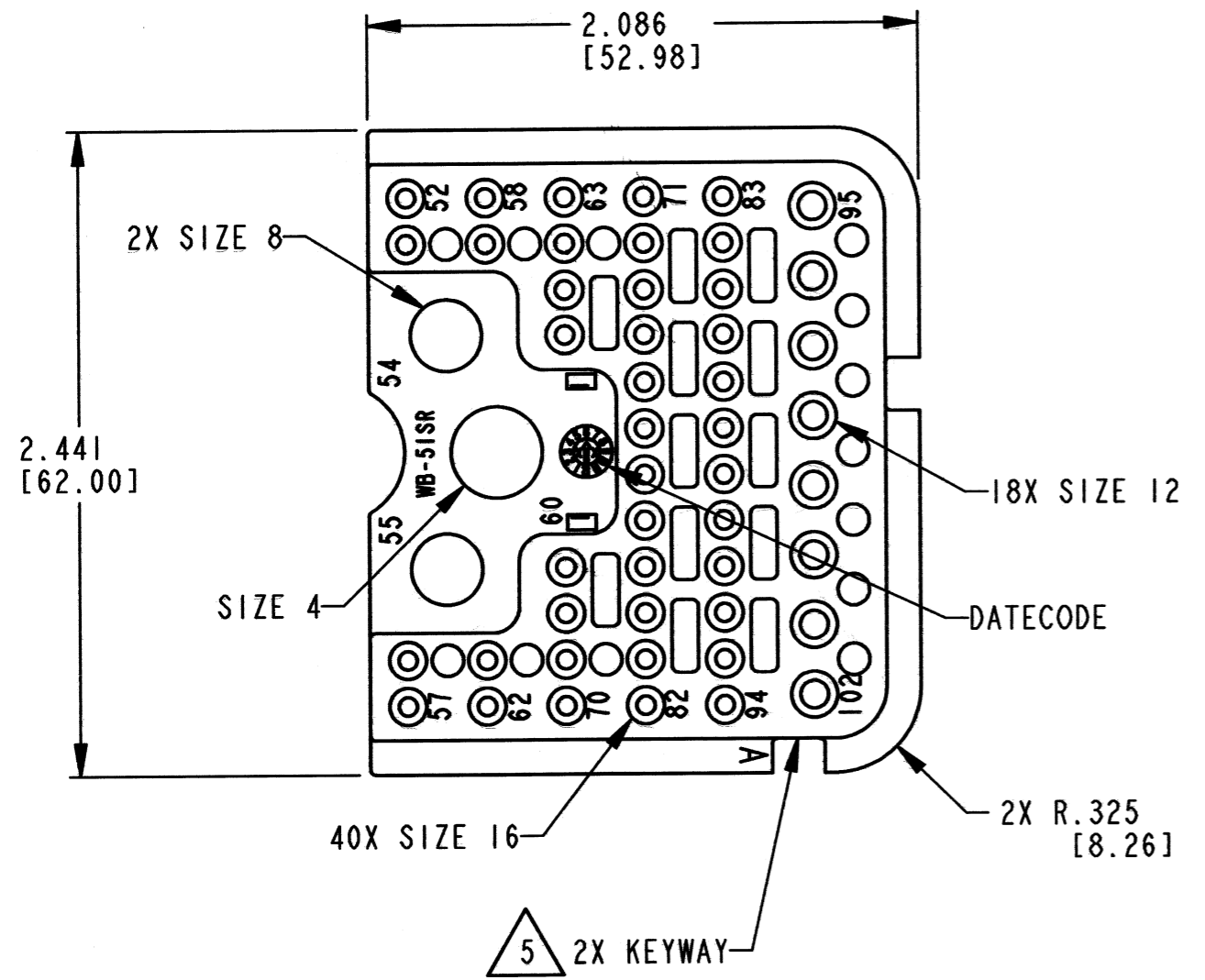


REV
A **WB-51S*R**

REVISIONS			
SYM	DESCRIPTION	DATE	APPROVED
NC	NEW RELEASE PER E.O. P21196	11-18-11	R.D.R.
A	REVISED PER E.O. P21520	12/18/12	DM



5 SEE SHEET 2 FOR KEY ARRANGEMENTS.

- 4. MATERIAL: PLASTIC
- 3. THIS WEDGE LOCK MATES WITH DRB16-102SA(N)E-**** PLUG (**** = ALL MODIFICATIONS). CONSULT FACTORY FOR MODS.
- 2. DIMENSION TOLERANCE: ±.025 [.64].
- 1. DIMENSIONS ARE IN INCHES [mm].

NOTES: UNLESS OTHERWISE SPECIFIED.

5	PART NUMBER	COLOR
	WB-51SAR	GREY
	WB-51SBR	BLACK
	WB-51SCR	GREEN
	WB-51SDR	BROWN

SIGNATURE & DATE	
DR	J. APOSTOL 14DEC2012
CHK	<i>[Signature]</i> 12/18/12
PE	<i>[Signature]</i> 12/18/12
APPD	<i>[Signature]</i> 12/18/12
SCALE	NONE
WT	36g

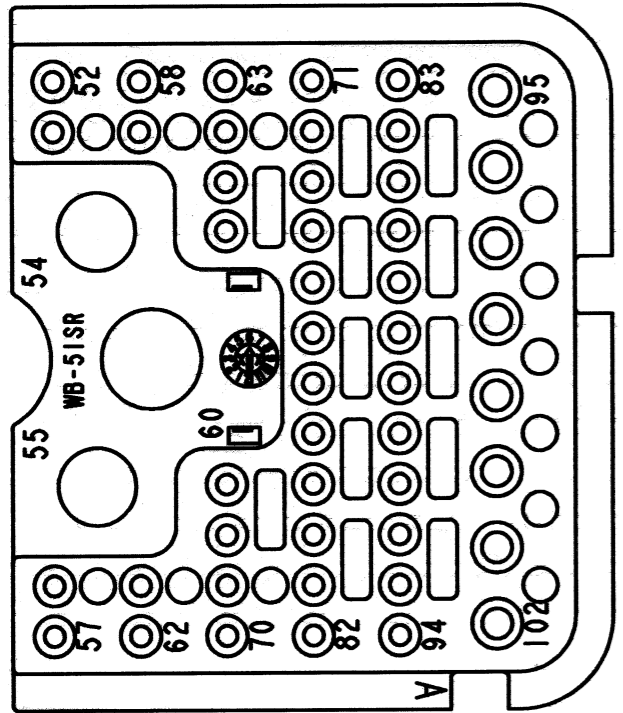
WEDGE LOCK, PLUG, RIGHT
"A" THRU "D" KEY
51 CONTACTS
DRB SERIES

ENVELOPE

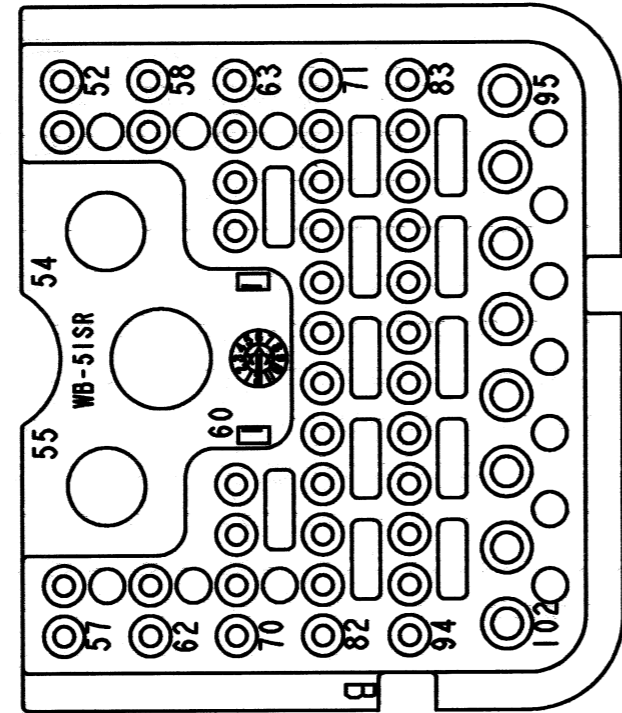
EP 046	MATL. CODE
 3850 INDUSTRIAL AVE. HEMET, CA 92545	
B	WB-51S*R
DWG SIZE	CODE 11139 SHEET 1 OF 2

REV
A **WB-51S*R**

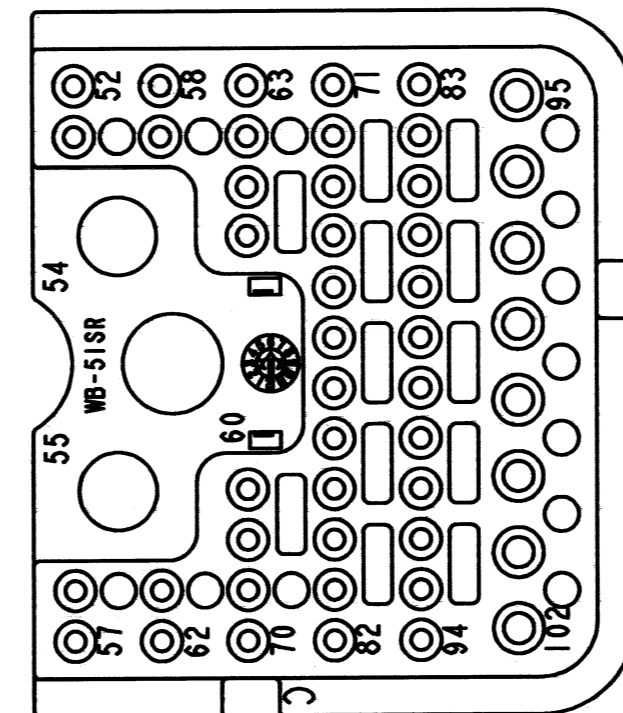
REVISIONS			
SYM	DESCRIPTION	DATE	APPROVED
A	SEE SHEET 1	12/18/12	DM



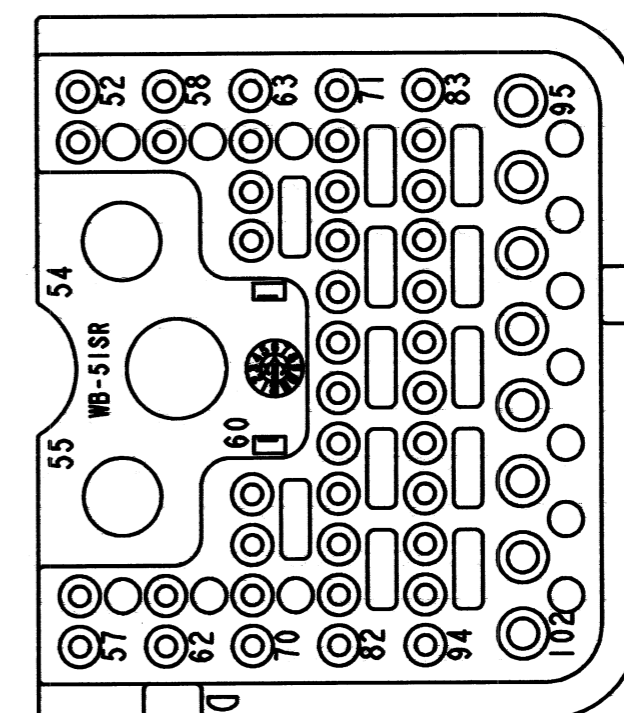
WB-51SAR
KEY: A



WB-51SBR
KEY: A



WB-51SCR
KEY: A




WB-51SDR
KEY: A

NOTES: SEE SHEET 1

SIGNATURE & DATE	
DR	J. APOSTOL 14DEC2012
CHK	<i>[Signature]</i> 12/18/12
PE	<i>[Signature]</i> 12/18/12
APPD	<i>[Signature]</i> 12/18/12
SCALE	NONE
WT	SEE SHEET 1

WEDGE LOCK, PLUG, RIGHT
"A" THRU "D" KEY
51 CONTACTS
DRB SERIES

ENVELOPE

EP 046	MATL. CODE
 3850 INDUSTRIAL AVE. HEMET, CA 92545	
B	WB-51S*R
DWG SIZE	CODE 11139 SHEET 2 OF 2

