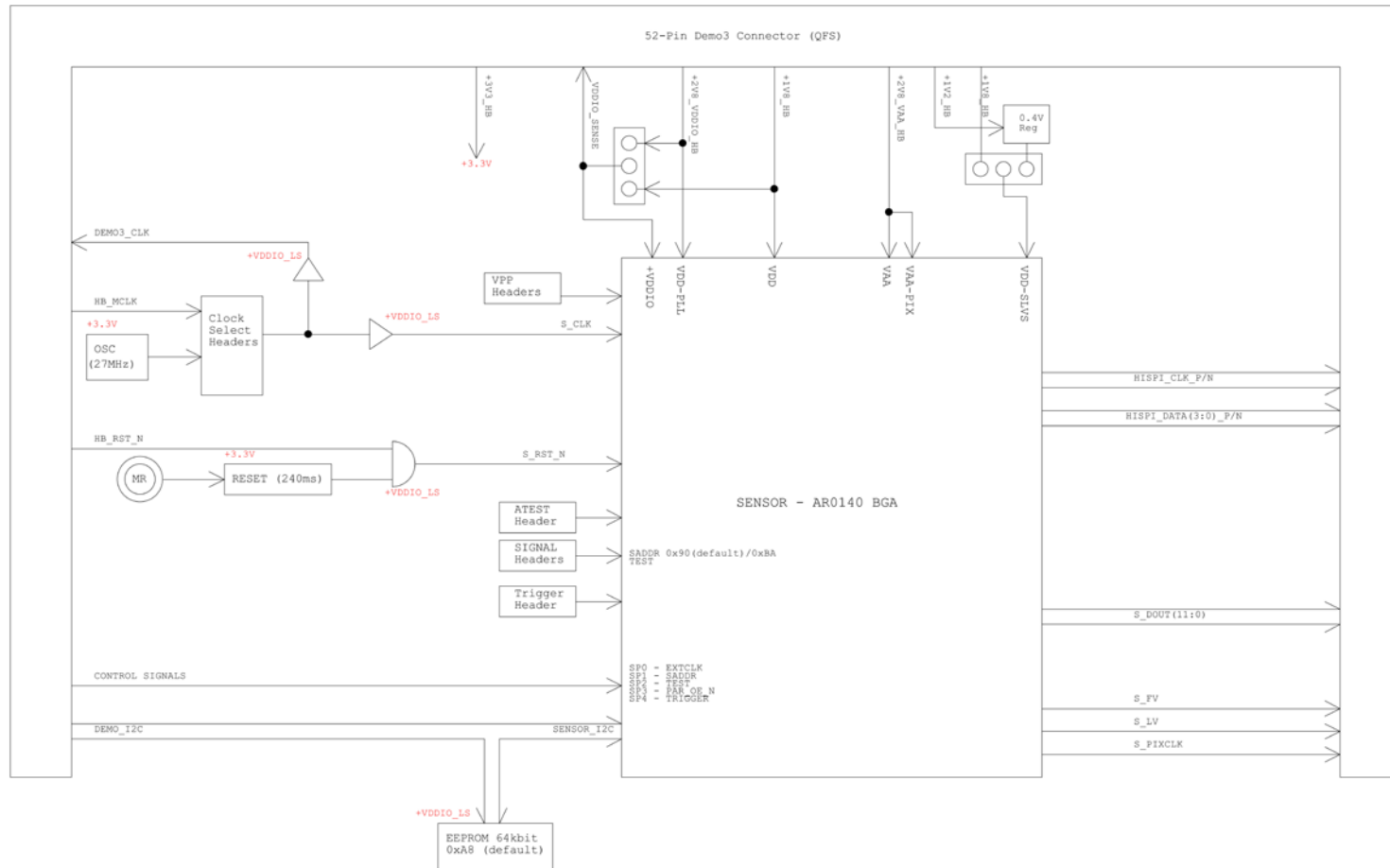


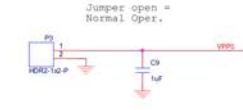
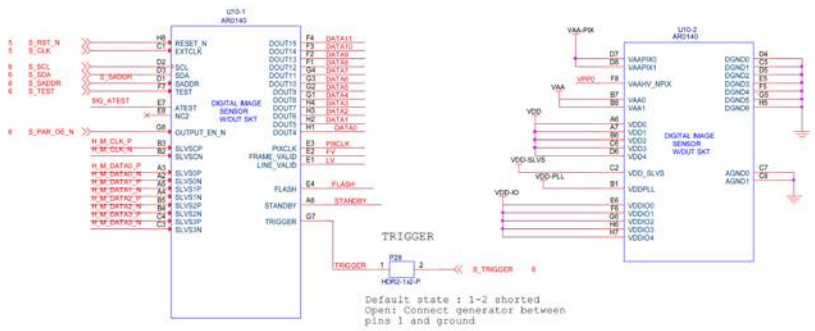
Schematic for the AR0140CS2M00AUEAH3-GEVB Evaluation Board

Block Diagram

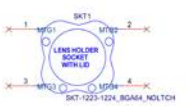
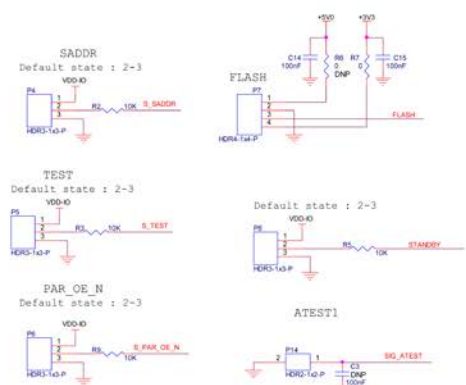
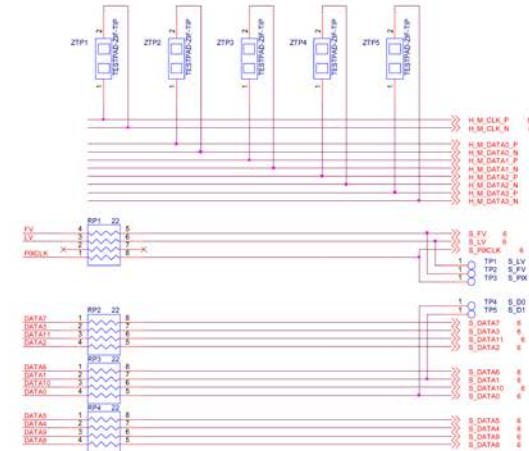


Sensor

+5V0	4
+3V3	4, 5
+VDDIO_L1	4, 5, 6
VDD	4
VDDIO	4
VDDIO_LV	4
VDDPLL	4
VVA	4
VVA-PX	4



(Note for layout: - Place these testpads near the Demo3 I/F connector at the top side of PCB)



Debug Headers: Cut away the shorted trace and mount header for power debugging

Power

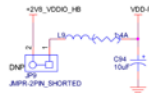
VDD 1.8V SUPPLY



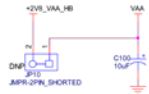
VDD-SLVS 1.8V SUPPLY



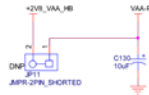
VDD-PLL 2.8V SUPPLY



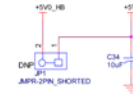
VAA 2.8V SUPPLY



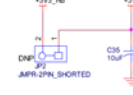
VAA-PIX 2.8V SUPPLY



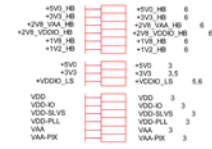
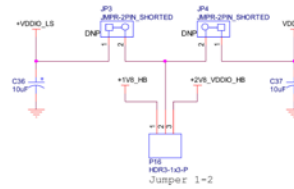
PERIPHERAL 5V SUPPLY



PERIPHERAL 3.3V SUPPLY



VDDIO & VDDIO LS 1.8V/2.8V SUPPLY

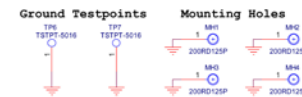
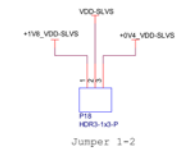
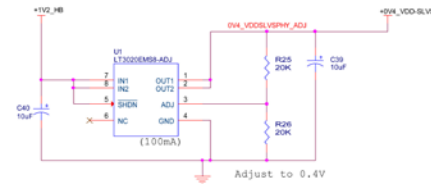


5V LED



Selection of 0.4V or 1.2V/1V8 for VDDSLVSPHY supply

VDDSLVSPHY 0.4V SUPPLY

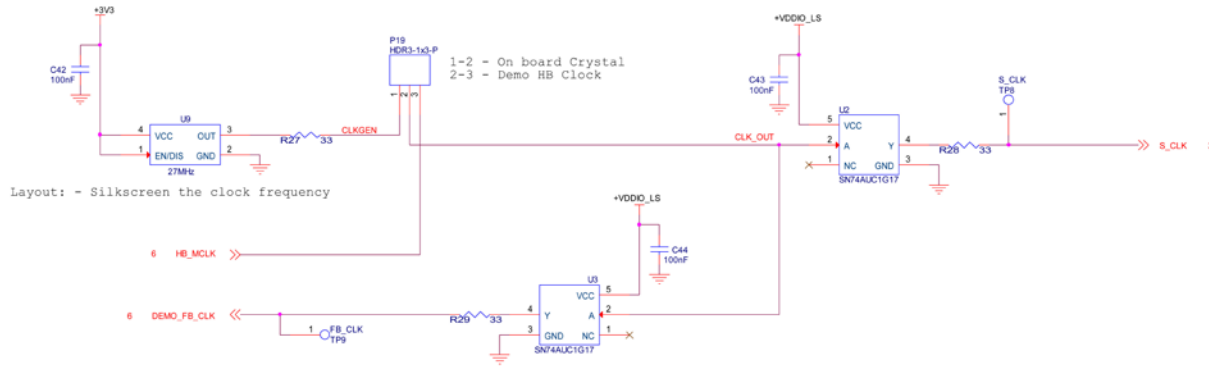


RECORDED

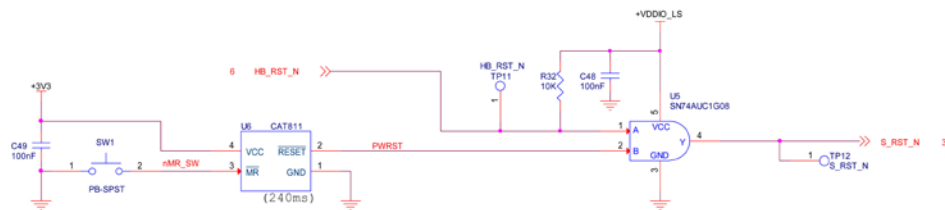
Clock and Reset

+5V0	3,4
+3V3	3,4
+VDDIO_L5	4,6

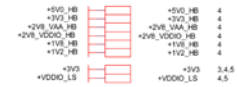
CLOCK CIRCUIT



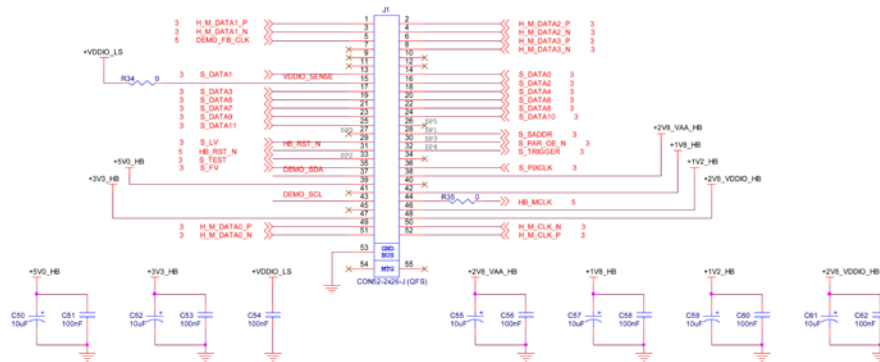
RESET CIRCUIT



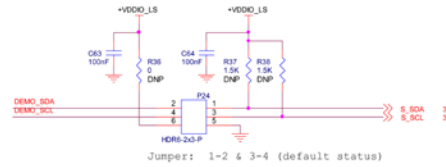
External Interface



DEMO3 BASEBOARD I/F



I2C DEBUG



LENS CORRECTION EEPROM

