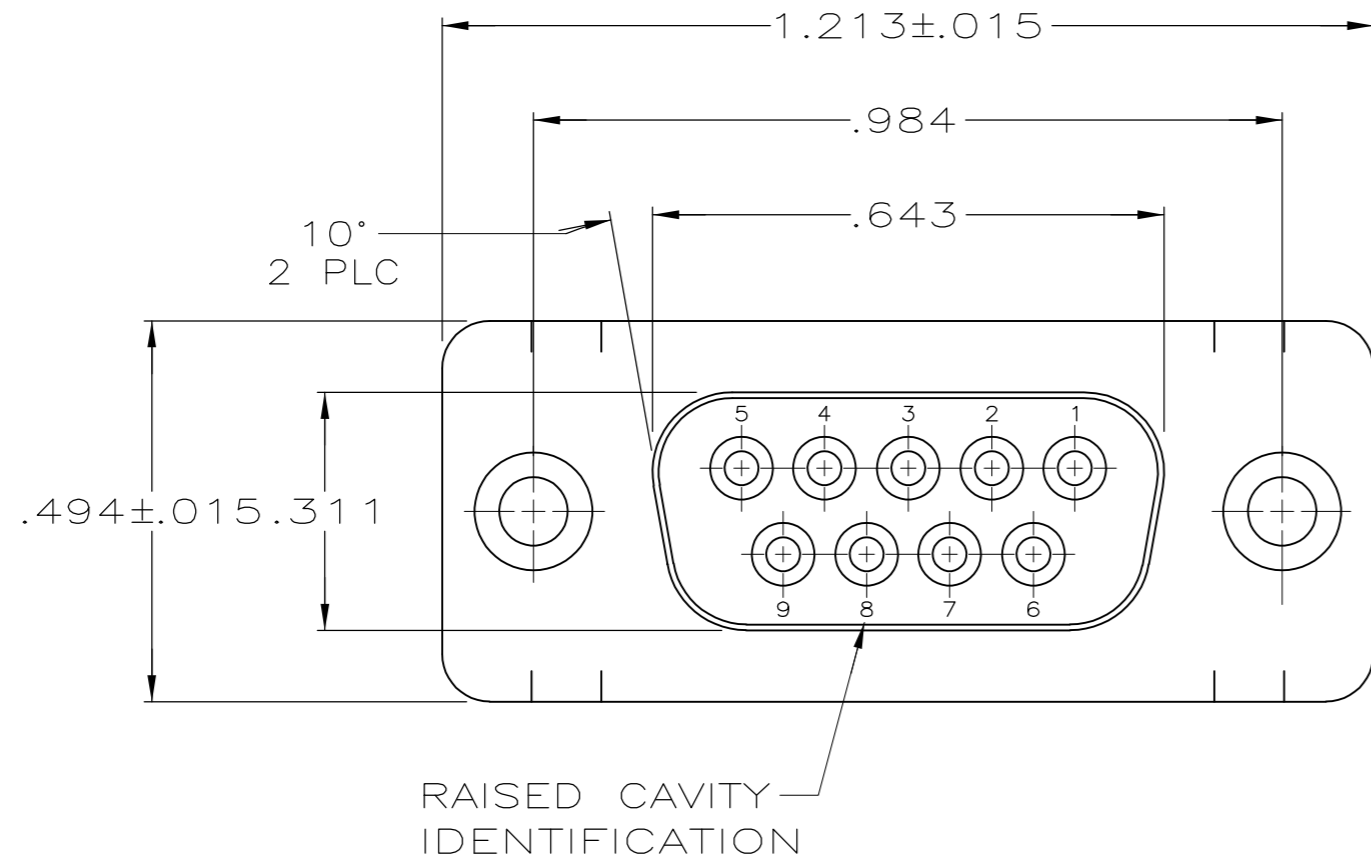
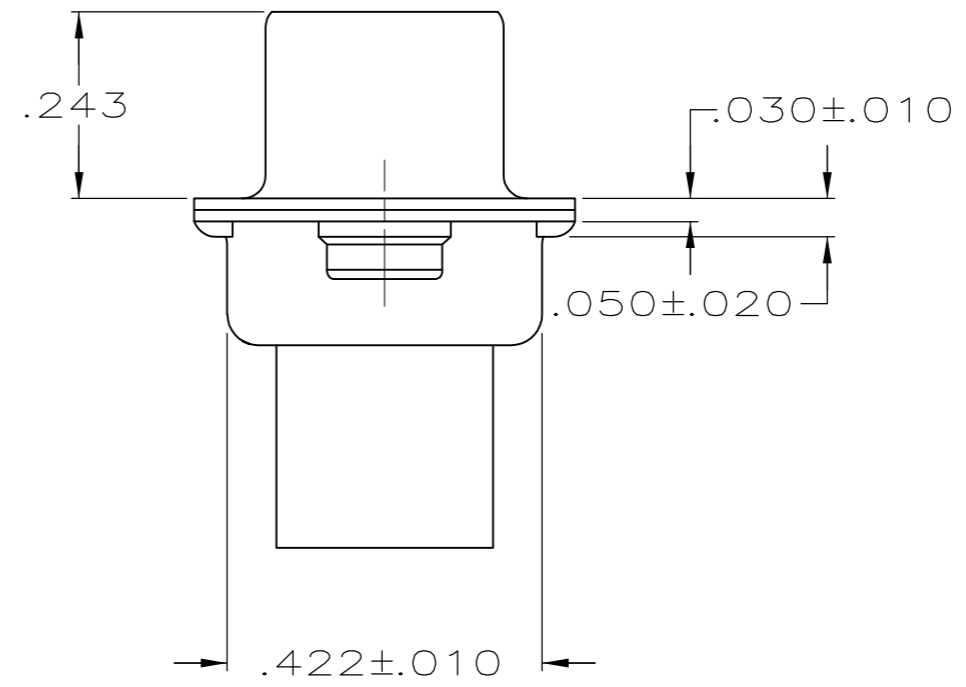
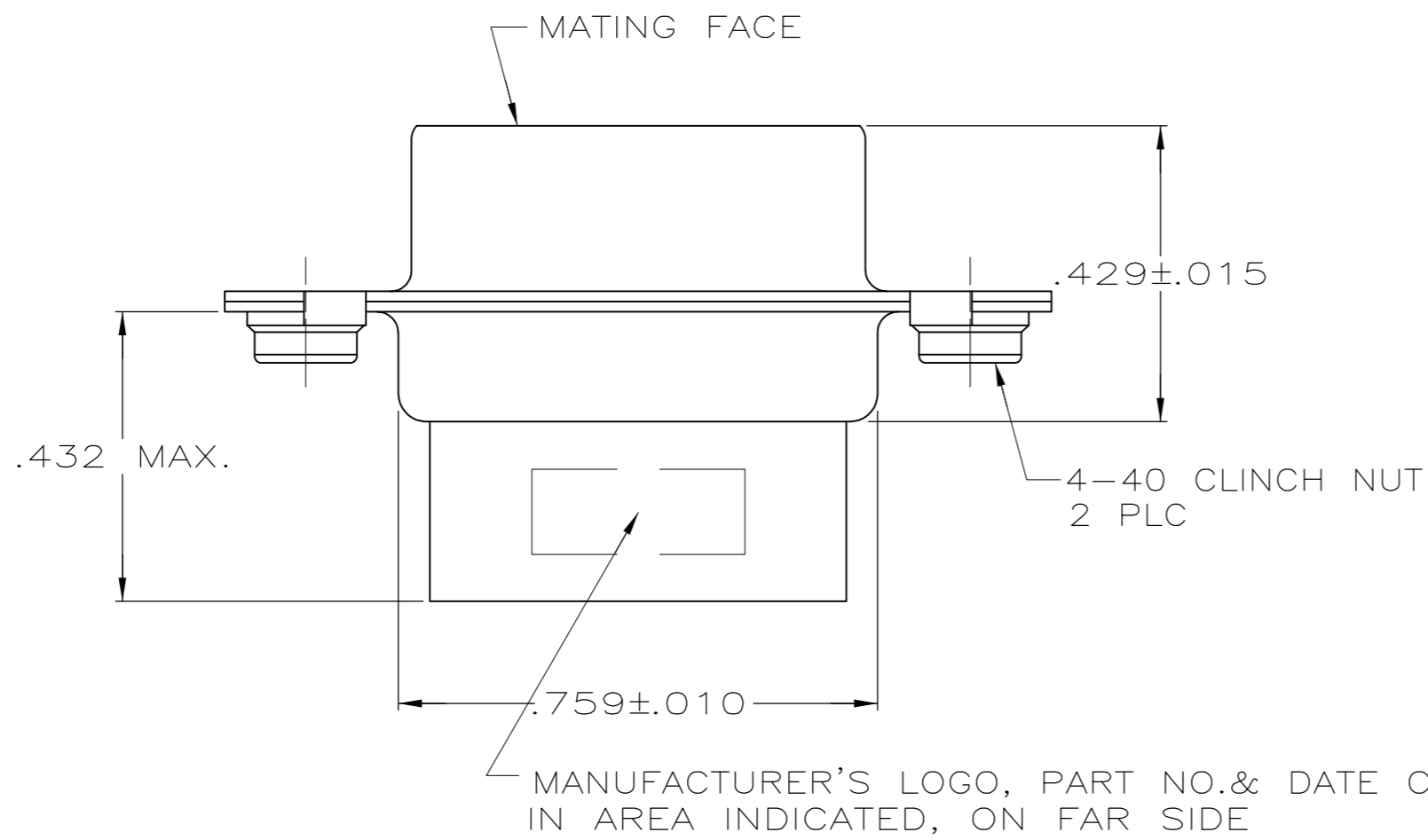


THIS DRAWING IS UNPUBLISHED. RELEASED FOR PUBLICATION
 © COPYRIGHT - By - ALL RIGHTS RESERVED.

LOC	DIST	REVISIONS			
P	LTR	DESCRIPTION	DATE	DWN	APVD
GP	00				
P		REVISED PER ECO-11-004835	11MAR11	RK	HMR



- 1. CONNECTOR ACCEPTS SIZE 20 DF SOCKET CONTACTS, RETENTION TINES ARE AN INTEGRAL PART OF INSERT.
- 2. FLAME RETARDANT 94V-0 RATED THERMOPLASTIC; COLOR: BLACK.
- 3. STEEL PER ASTM A109.
- 4. .000200 MIN TIN PLATE OVER .000100 MIN COPPER UNDERPLATE.



1658643-1
PART NUMBER

THIS DRAWING IS A CONTROLLED DOCUMENT.		DWN J. REITZEL 30JUL03																								
DIMENSIONS: INCHES		CHK S. BOLASH 30JUL03																								
TOLERANCES UNLESS OTHERWISE SPECIFIED:		APVD M. WALMSLEY 30JUL03	NAME RECEPTACLE CONNECTOR, SIZE 1, 9 POSN, WITH CLINCH NUTS, AMPLIMITE HDP																							
<table border="1"> <tr><td>0 PLC</td><td>±</td><td>-</td></tr> <tr><td>1 PLC</td><td>±</td><td>-</td></tr> <tr><td>2 PLC</td><td>±</td><td>-</td></tr> <tr><td>3 PLC</td><td>±</td><td>.005</td></tr> <tr><td>4 PLC</td><td>±</td><td>-</td></tr> <tr><td>ANGLES</td><td>±</td><td>2°</td></tr> <tr><td>FINISH</td><td></td><td></td></tr> </table>		0 PLC	±	-	1 PLC	±	-	2 PLC	±	-	3 PLC	±	.005	4 PLC	±	-	ANGLES	±	2°	FINISH			PRODUCT SPEC 108-40005	SIZE A2	CAGE CODE 00779	DRAWING NO C=1658643
0 PLC	±	-																								
1 PLC	±	-																								
2 PLC	±	-																								
3 PLC	±	.005																								
4 PLC	±	-																								
ANGLES	±	2°																								
FINISH																										
MATERIAL		APPLICATION SPEC 114-40030	RESTRICTED TO -																							
MOLDED PARTS: 2 SHELLS: 3		WEIGHT -	CUSTOMER DRAWING																							
		SCALE 4:1	SHEET 1 of 1		REV P																					