

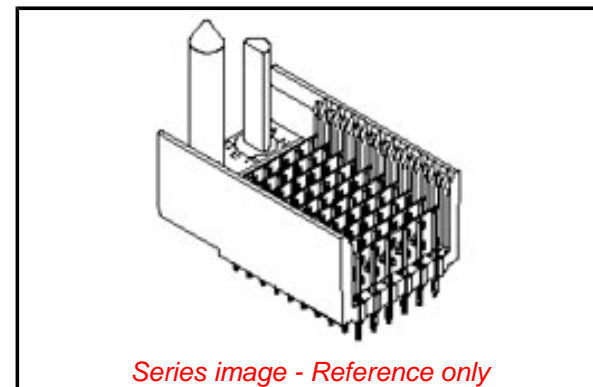
**PLEASE CHECK WWW.MOLEX.COM FOR LATEST PART INFORMATION**

**Part Number:** [0740582501](#)

**Status:** **Active**

**Overview:** [VHDM® Backplane Connector Systems](#)

**Description:** VHDM® Single-Ended Board-to-Board Backplane Header, 2.00mm Pitch, Vertical, 6-Rows, Pin End Version, 150 Circuits, Pin Length 4.75mm. Series:74074 Enables designers to create custom loaded connectors utilizing standard pin lengths 4.25, 4.75, 5.15 and 6.25mm



Series image - Reference only

**Documents:**

[3D Model](#)

[Product Specification PS-74031-999 \(PDF\)](#)

[Drawing \(PDF\)](#)

[RoHS Certificate of Compliance \(PDF\)](#)

**General**

Product Family	Backplane Connectors
Series	74058
Application	Backplane
Application Tooling Documents	TM-622010999
Comments	No Keying Position
Component Type	PCB Header
Overview	<a href="#">VHDM® Backplane Connector Systems</a>
Product Name	VHDM®
UPC	800754780599

**Physical**

Circuits (Loaded)	150
Circuits (maximum)	150
Color - Resin	Black
Durability (mating cycles max)	200
First Mate / Last Break	No
Guide to Mating Part	Yes
Keying to Mating Part	None
Material - Metal	Beryllium Copper, High Performance Alloy (HPA), Stainless Steel
Material - Plating Mating	Gold
Material - Plating Termination	Matte Tin
Material - Resin	High Temperature Thermoplastic
Net Weight	13.368/g
Number of Columns	10
Number of Pairs	Open Pin Field
Number of Rows	6
Orientation	Vertical
PC Tail Length	2.50mm
PCB Locator	No
PCB Retention	None
PCB Thickness - Recommended	1.80mm
Packaging Type	Tube
Pitch - Mating Interface	2.00mm
Pitch - Termination Interface	1.00mm
Plating min - Mating	0.762µm
Plating min - Termination	0.762µm
Polarized to PCB	Yes
Surface Mount Compatible (SMC)	Yes
Temperature Range - Operating	105°C
Termination Interface: Style	Through Hole - Compliant Pin

**Electrical**

Current - Maximum per Contact	2.0A
-------------------------------	------

**EU ELV**

**Not Relevant**

**EU RoHS**

**Compliant**

**China RoHS**

**REACH SVHC**

Contains SVHC(2014 December 17): No

**Halogen-Free**

**Status**

**Low-Halogen**

**Need more information on product environmental compliance?**

Email [productcompliance@molex.com](mailto:productcompliance@molex.com)  
Please visit the [Contact Us](#) section for any non-product compliance questions.

China ROHS  
ELV

Green Image  
Not Relevant

**Search Parts in this Series**

[74058](#) Series

**Mates With**

[74030](#) VHDM® Board-to-Board  
Daughtercard Receptacle

**Application Tooling | FAQ**

*Tooling specifications and manuals are found by selecting the products below. Crimp Height Specifications are then contained in the Application Tooling Specification document.*

**Global**

Description	Product #
Insertion Module for Advanced Mate Signal Header, 6-Row by 25-Wide, 50.00mm	<a href="#">0622020204</a>
Insertion Module for Standard Shield	<a href="#">0622020208</a>

Data Rate	3.125 Gbps
Shield Type	Ground Plane Shield
Shielded	Yes
Voltage - Maximum	120V AC (RMS)/DC

**Solder Process Data**

Lead-free Process Capability	N/A
------------------------------	-----

**Material Info****Reference - Drawing Numbers**

Product Specification	PS-74031-999
Sales Drawing	SD-74058-002

VHDM and Very High Density Metric are trademarks of Amphenol Corporation

Signal Header, 6-Row by 25-Wide, 50.00mm	
Signal Pin Inserter Repair Tool	<u>0622015700</u>
6-Row Pin and Shield Repair Tool	<u>0622015800</u>
6-Row Shield Extraction Tool	<u>0622016000</u>

This document was generated on 07/07/2015

**PLEASE CHECK [WWW.MOLEX.COM](http://WWW.MOLEX.COM) FOR LATEST PART INFORMATION**