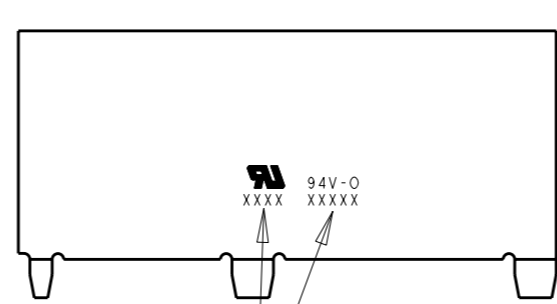
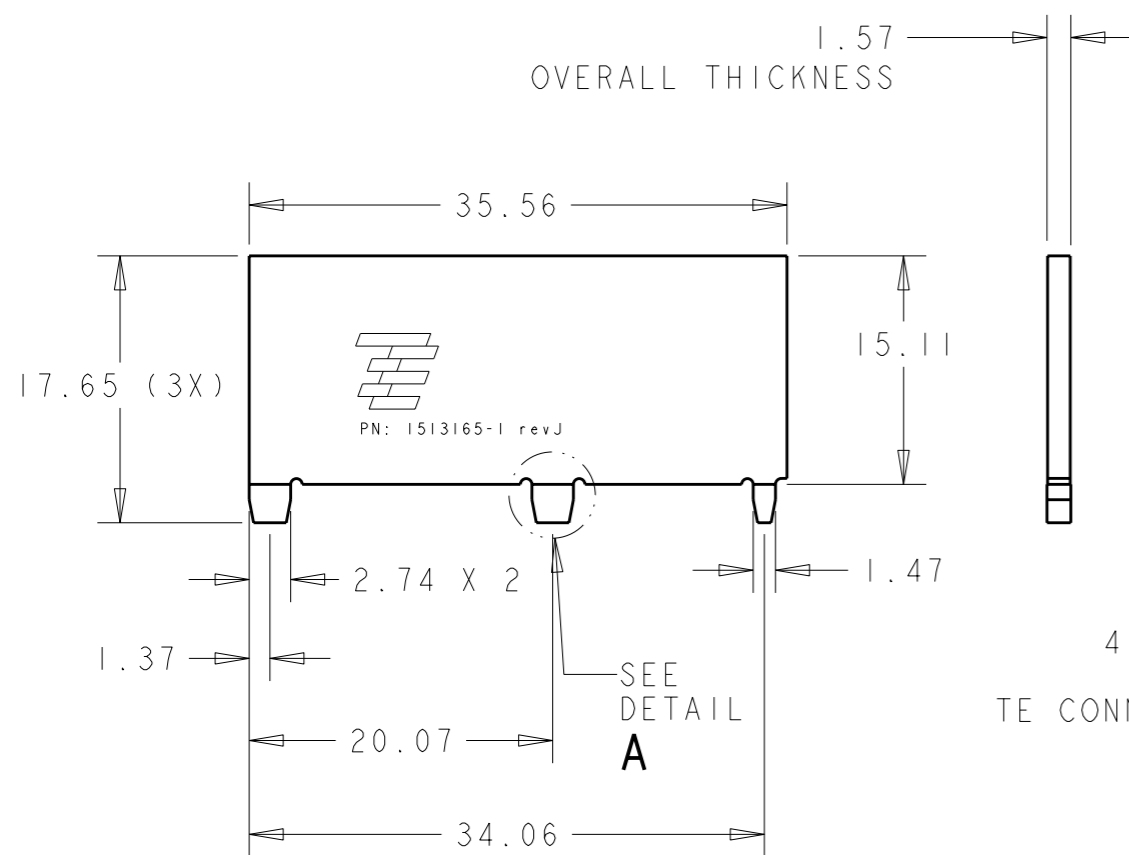


THIS DRAWING IS UNPUBLISHED. RELEASED FOR PUBLICATION 20

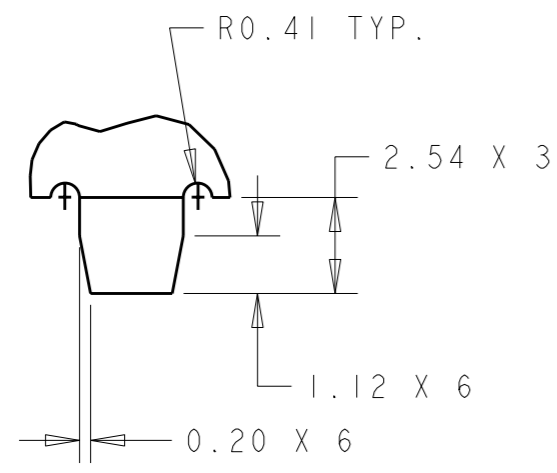
© COPYRIGHT 20 BY - ALL RIGHTS RESERVED.

LOC	DIST	REVISIONS					
		P	LTR	DESCRIPTION	DATE	DWN	APVD
HQ	00		J1	REVISED PER ECO-11-005027	12MAR2011	RK	HMR




4 DIGIT DATE CODE AND TE CONNECTIVITY VENDOR SOURCE CODE

- NOTES: UNLESS OTHERWISE SPECIFIED.
- FABRICATE TO MEET IPC - 6012, CLASS 2. INSPECT TO MEET IPC - A - 600, CLASS 2.
 - PRIMARY AND SECONDARY SIDE SHOWN.
 - MATERIAL: GETEK 8 PLY (7628) 1.49 THK. GRADE RG200D 1/2 OZ. COPPER BOTH SIDES. DIELECTRIC CONSTANT @ 1MHZ 4.2±0.1.
 - FINISH:
A: SOLDERMASK OVER BARE COPPER (SMOBC).
B: MASK BOTH SIDES OF PCB WITH LPI SOLDERMASK. SOLDERMASK COLOR: NATURAL GREEN.
C: IMMERSION TIN PLATING OVER EXPOSED COPPER
 - TWO PLACE TOLERANCES: ±0.23
 - PACKAGING: SINGULATED PARTS TO BE VACUUM PACKED IN BULK.
 - PARTS ARE COMPLIANT TO ROHS STANDARDS PER TE CONNECTIVITY STANDARD TEC-138-702.
 - CONSULT TE CONNECTIVITY DATA SHEET DSI513165
 - CONTACT TE CONNECTIVITY ENGINEERING PRIOR TO DESIGNING INTO AN APPLICATION



DETAIL SCALE A 5:1

THIS DRAWING IS A CONTROLLED DOCUMENT.		DWN DJL 24MAR2006	 TE Connectivity	
DIMENSIONS: mm		CHK -		
TOLERANCES UNLESS OTHERWISE SPECIFIED:		APVD -	World GSM Antenna	
0 PLC ±-	1 PLC ±-	PRODUCT SPEC -		
2 PLC ±-	3 PLC ±-	APPLICATION SPEC -		
4 PLC ±-	ANGLES ±-	WEIGHT -	SIZE A3	
MATERIAL -	FINISH -	CAGE CODE 00779	DRAWING NO C-1513165	
		CUSTOMER DRAWING	RESTRICTED TO -	
		SCALE 2:1	SHEET 1 OF 1 REV J1	