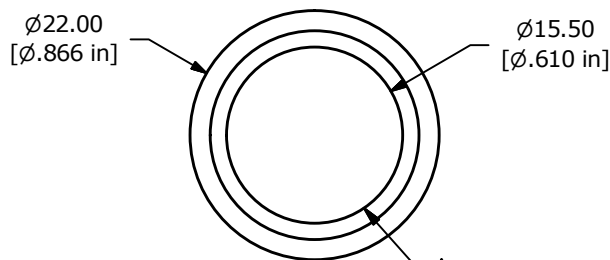


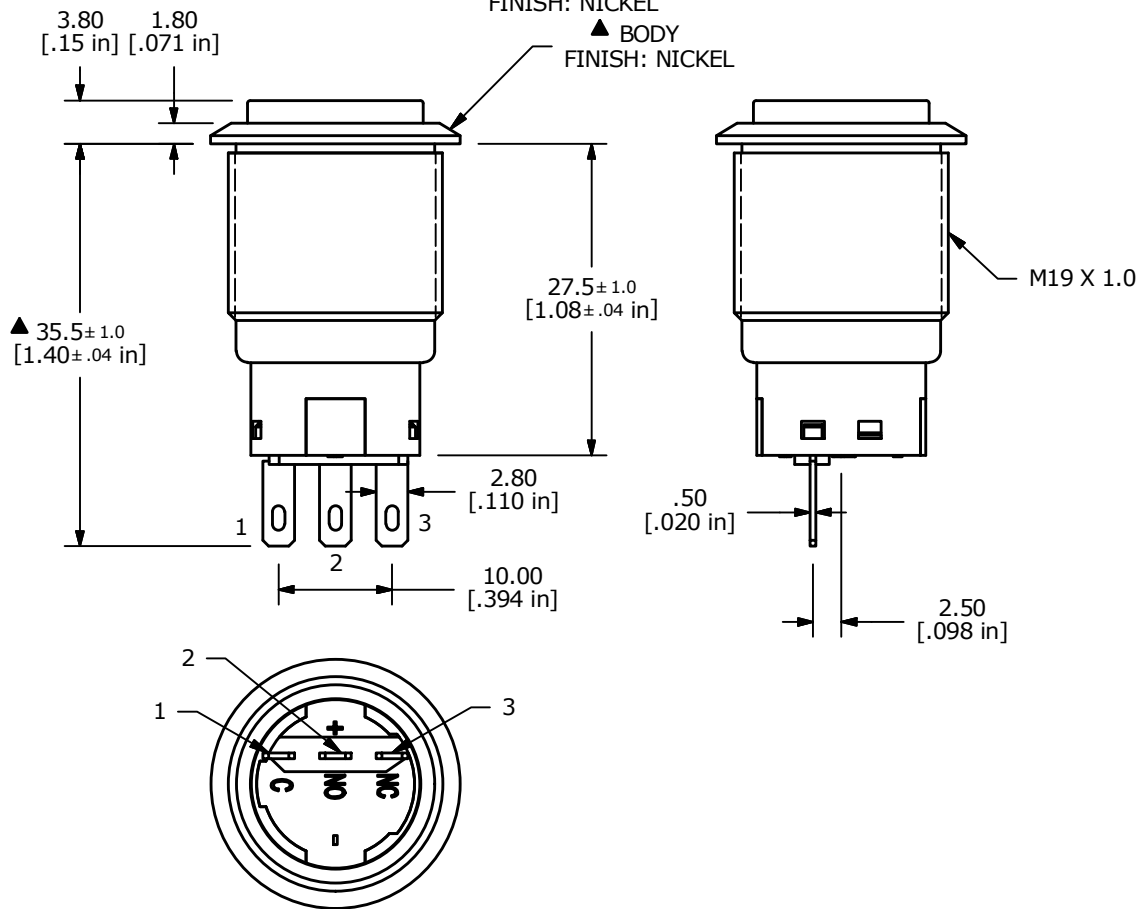
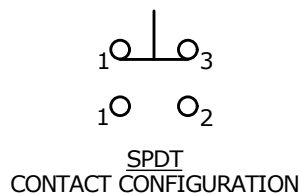
Recommended PANEL CUTOUT
MAX. PANEL THICKNESS
11.0mm [.433]



▲ HIGH ACTUATOR FINISH: NICKEL
▲ BODY FINISH: NICKEL



SWITCH FUNCTION	
POS. 1	POS. 2
ON	ON
1-3	1-2



- NOTE:
- ALL DIMENSIONS IN MM [INCH]
 - GENERAL TOLERANCE: X.X = ±0.4
X.XX = ±0.25
 - TERMINAL NUMBERS FOR REF ONLY
 - CONTACT MATERIAL: SILVER
 - RATING: 2A 24VDC
 - ELECTRIC LIFE: 50,000 MAKE-AND-BREAK CYCLES AT FULL LOAD.
 - INSULATION RESISTANCE: 1,000 MΩ MIN.
 - DIELECTRIC STRENGTH: 2,000 VAC MIN. FOR 1 MINUTE
 - CONTACT RESISTANCE: 50mΩ MAX. @ 1A 12VDC
 - OPERATING TEMP.: -20°C to 55°C
 - ▲ TRAVEL: 2.8mm
 - ▲ DENOTES CRITICAL PARAMETER.
 - ▲ INGRESS PROTECTION: IP65
 - ▲ HARDWARE SUPPLIED: O-RING AND HEXNUT

TITLE PV4H230NN			
SCALE 3:2	DATE 12/26/2012	DR EBP	DWG 52-PV4H230NN
			REV C

C	23606	UPDATED RATING TO 2A @ 24VDC	10/11/18	MJR
B	22601	UPDATE PRINT, CORRECT FUNCTION TO ON-ON	11/18/16	MW
REV	PCR NO	DESCRIPTION	DATE	BY

THE INFORMATION CONTAINED IN THIS DOCUMENT IS PROPRIETARY TO E-SWITCH AND IS NOT TO BE COPIED OR TRANSFERRED