

Features

- N-Channel enhancement mode device
- DMOS structure
- Lower capacitances for broadband operation
- High saturated output power
- Lower noise figure than bipolar devices

ABSOLUTE MAXIMUM RATINGS AT 25° C

Parameter	Symbol	Rating	Units
Drain-Source Voltage	V_{DS}	65	V
Gate-Source Voltage	V_{GS}	20	V
Drain-Source Current	I_{DS}	20	A
Power Dissipation	P_D	389	W
Junction Temperature	T_J	200	°C
Storage Temperature	T_{STG}	-65 to +150	°C
Thermal Resistance	θ_{JC}	0.45	°C/W

TYPICAL DEVICE IMPEDANCE

F (MHz)	Z_{IN} (Ω)	Z_{LOAD} (Ω)
30	2.7 - j4.8	7.2 - j1.9
100	1.6 - j3.0	5.25 - j1.4
150	1.5 - j2.0	5.0 - j0.7
175	1.6 - j1.0	5.2 - j0.6
200	1.8 - j0.5	5.5 - j0.5

$V_{DD} = 28V, I_{DQ} = 1000mA, P_{OUT} = 200 W$

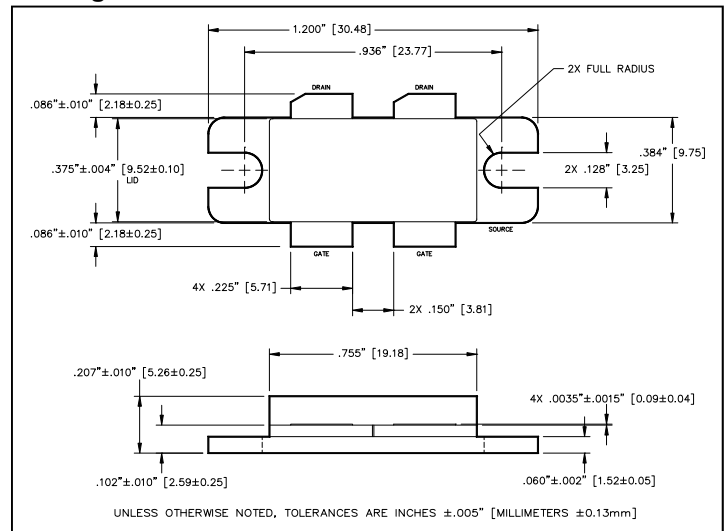
Z_{IN} is the series equivalent input impedance of the device from gate to source.

Z_{LOAD} is the optimum series equivalent load impedance as measured from drain to ground.

ELECTRICAL CHARACTERISTICS AT 25°C

Parameter	Symbol	Min	Max	Units	Test Conditions
Drain-Source Breakdown Voltage	BV_{DSS}	65	-	V	$V_{GS} = 0.0 V, I_{DS} = 25.0 mA$
Drain-Source Leakage Current	I_{DSS}	-	5.0	mA	$V_{GS} = 28.0 V, V_{DS} = 0.0 V$
Gate-Source Leakage Current	I_{GSS}	-	5.0	μA	$V_{GS} = 20.0 V, V_{DS} = 0.0 V$
Gate Threshold Voltage	$V_{GS(TH)}$	2.0	6.0	V	$V_{DS} = 10.0 V, I_{DS} = 500.0 mA$
Forward Transconductance	G_M	2.5	-	S	$V_{DS} = 10.0 V, I_{DS} = 5.0A, \Delta V_{GS} = 1.0V, 80 \mu s$ Pulse
Input Capacitance	C_{ISS}	-	225	pF	$V_{DS} = 28.0 V, F = 1.0 MHz$
Output Capacitance	C_{OSS}	-	200	pF	$V_{DS} = 28.0 V, F = 1.0 MHz$
Reverse Capacitance	C_{RSS}	-	40	pF	$V_{DS} = 28.0 V, F = 1.0 MHz$
Power Gain	G_P	13	-	dB	$V_{DD} = 28.0 V, I_{DQ} = 1000 mA, P_{OUT} = 200.0 W F = 175 MHz$
Drain Efficiency	η_D	55	-	%	$V_{DD} = 28.0 V, I_{DQ} = 1000 mA, P_{OUT} = 200.0 W F = 175 MHz$
Load Mismatch Tolerance	VSWR-T	-	10:1	-	$V_{DD} = 28.0 V, I_{DQ} = 1000 mA, P_{OUT} = 200.0 W F = 175 MHz$

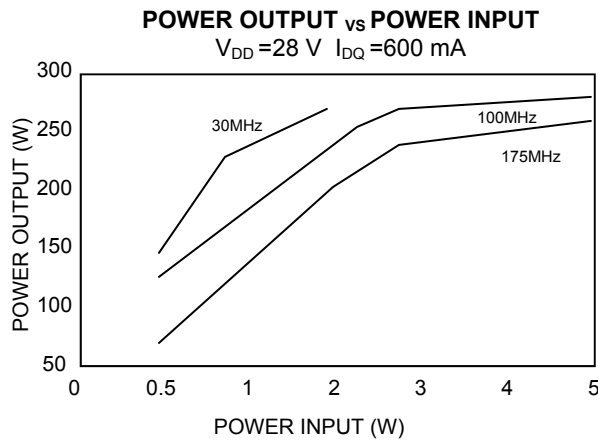
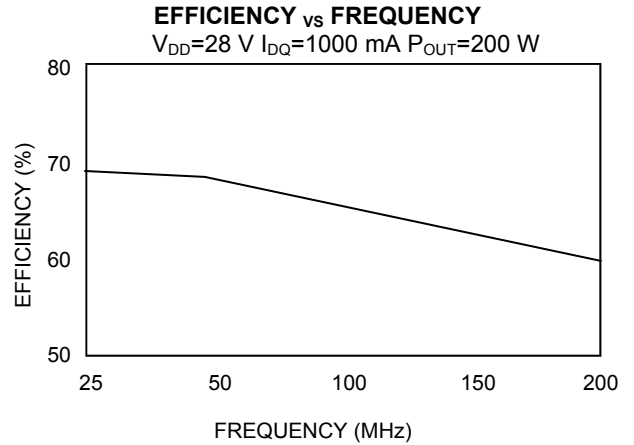
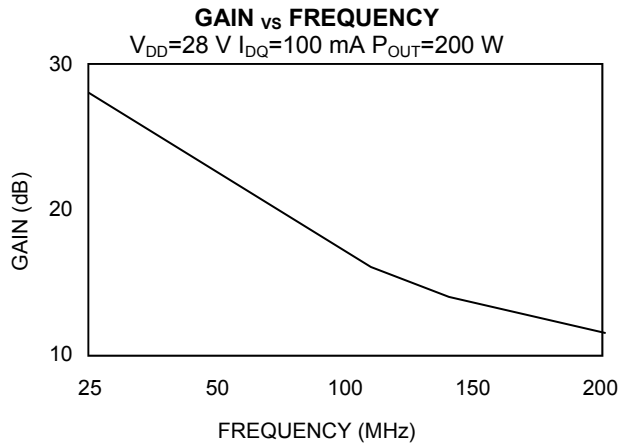
Package Outline



UNLESS OTHERWISE NOTED, TOLERANCES ARE INCHES ±.005" [MILLIMETERS ±0.13mm]

LETTER	MILLIMETERS		INCHES	
	MIN	MAX	MIN	MAX
A	30.35	30.61	1.195	1.205
B	23.65	23.90	.931	.941
C	13.72	14.22	.540	.560
D	9.63	9.88	.379	3.89
E	9.40	9.65	.370	.389
F	9.40	9.65	.370	.389
G	5.59	5.84	.220	.230
H	18.80	19.30	.740	.760
J	9.40	9.65	.370	.380
K	3.12	3.38	.123	.133
L	1.47	1.57	.058	.062
M	2.39	2.74	.094	.108
N	5.03	5.69	.198	.224
P	.05	.13	.002	.005

Typical Broadband Performance Curves



TEST FIXTURE SCHEMATIC

